

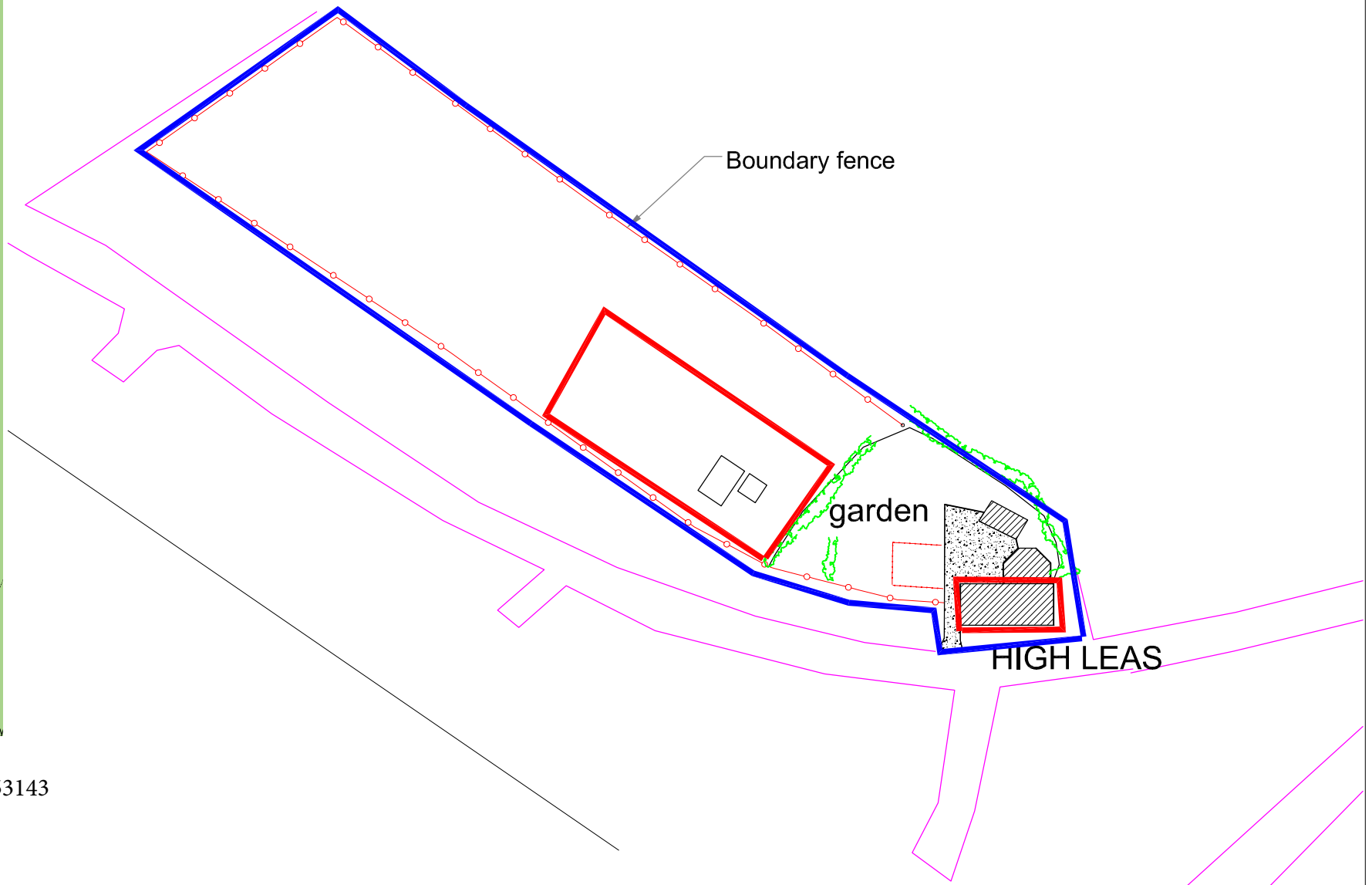
High Leas, Hawsker Lane, Hawsker, Whitby, North Yorkshire, YO22 4LA

NYMNP
03/07/2019



Ordnance Survey Licence No 100053143

LOCATION PLAN Scale 1:1250



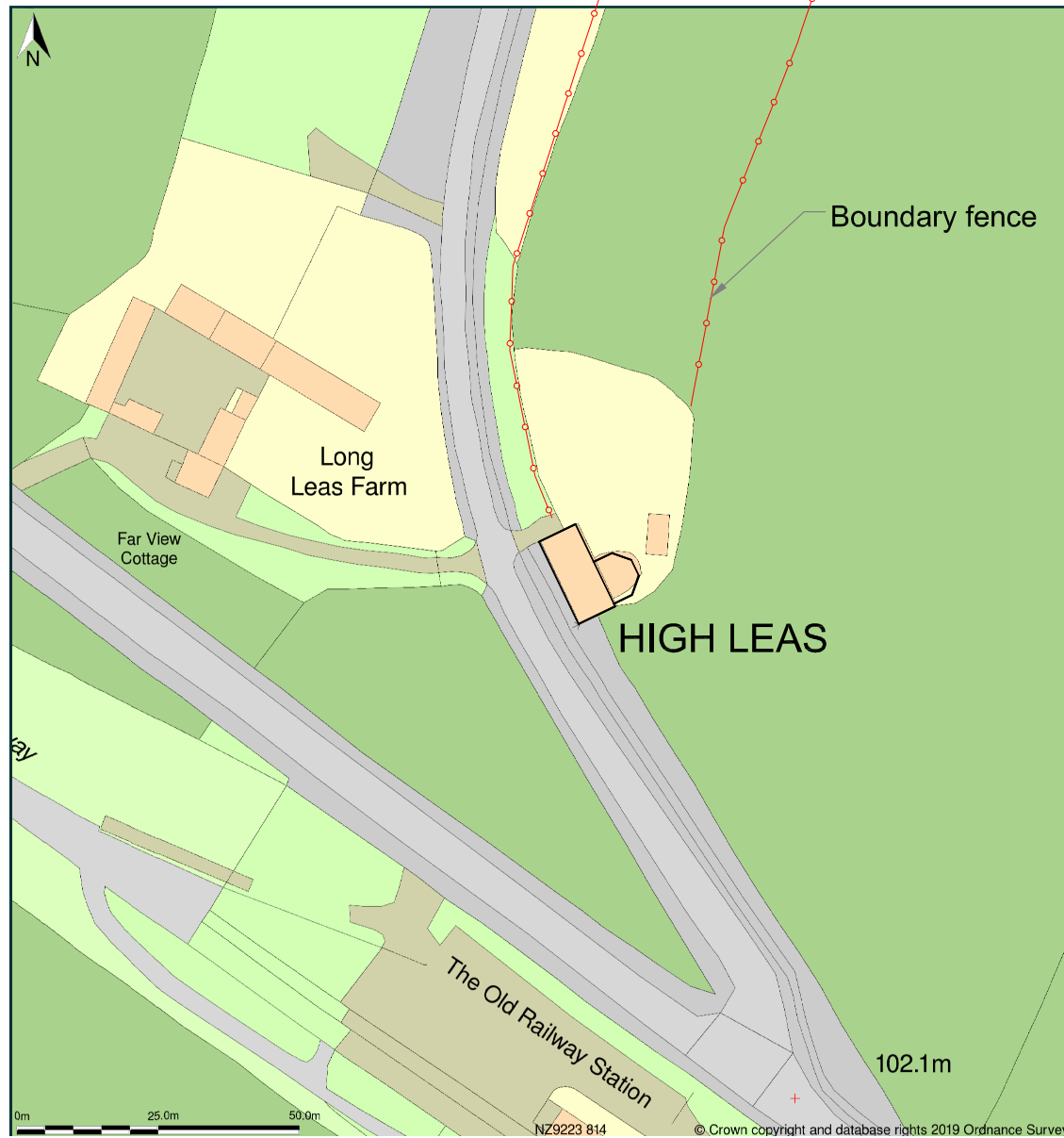
SITE PLAN Scale 1:1000

JHJ-VMV-SHT-1-rev0

PROPOSED IMPROVEMENTS TO HIGH LEAS, HAWSKER, FOR Mr. & Mrs. VERRILL

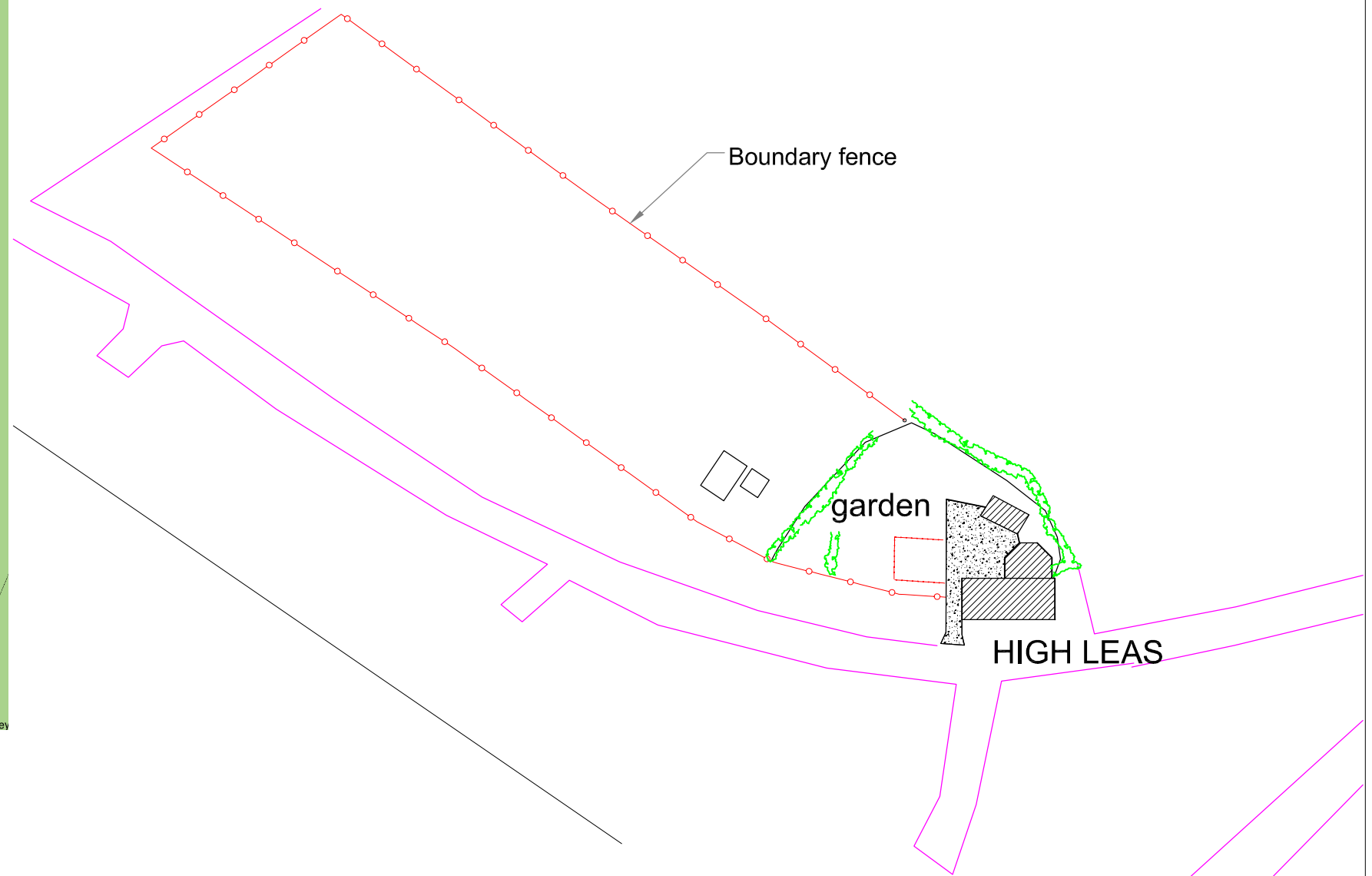
PLANS - SITE & LOCATION

High Leas, Hawsker Lane, Hawsker, Whitby, North Yorkshire, YO22 4LA



LOCATION PLAN Scale 1:1250

NYMNP
03/07/2019



SITE PLAN Scale 1:1000

JHJ-VMV-SHT-1-rev0

PROPOSED IMPROVEMENTS TO HIGH LEAS, HAWSKER, FOR Mr. & Mrs. VERRILL

PLANS - SITE & LOCATION

NYMNP

03/07/2019



WEST ELEVATION



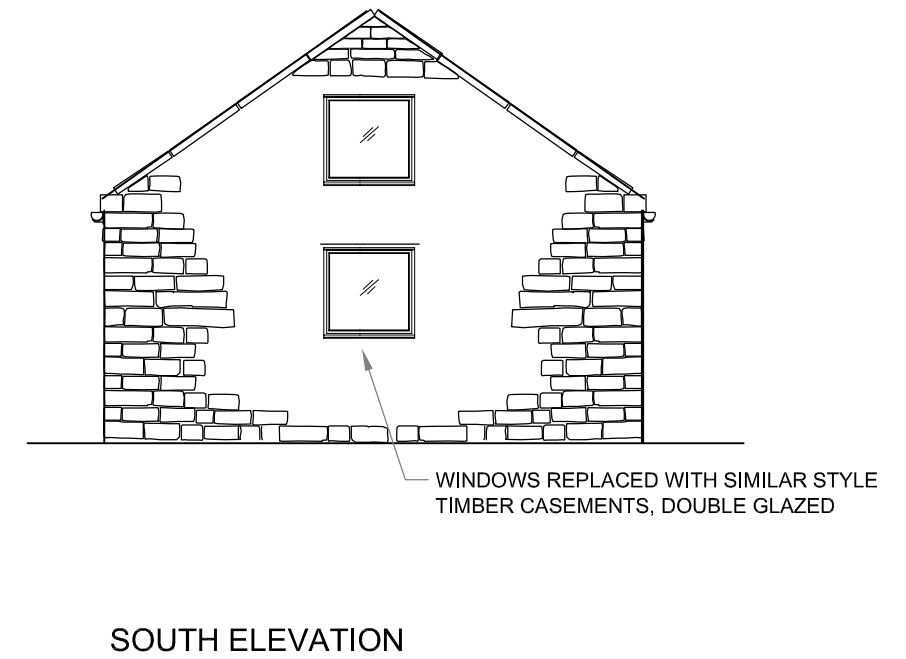
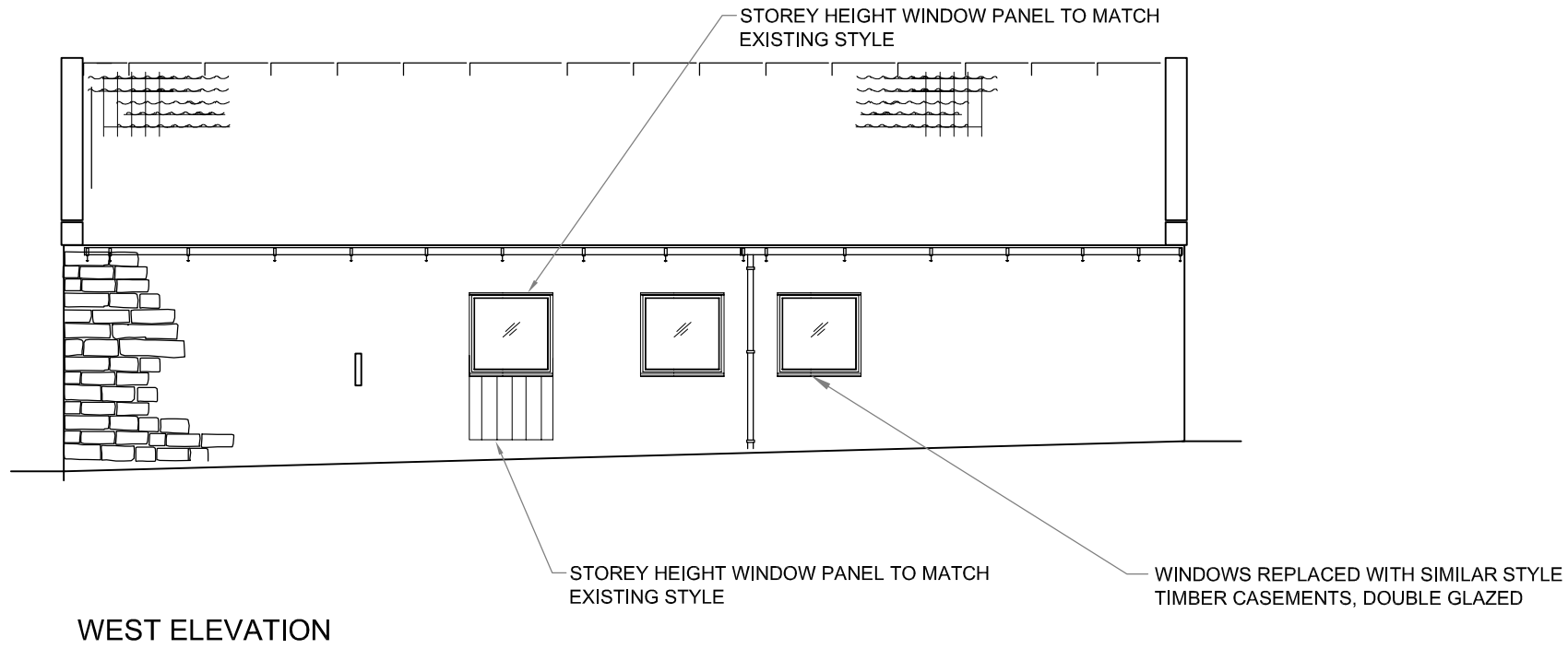
NORTH ELEVATION



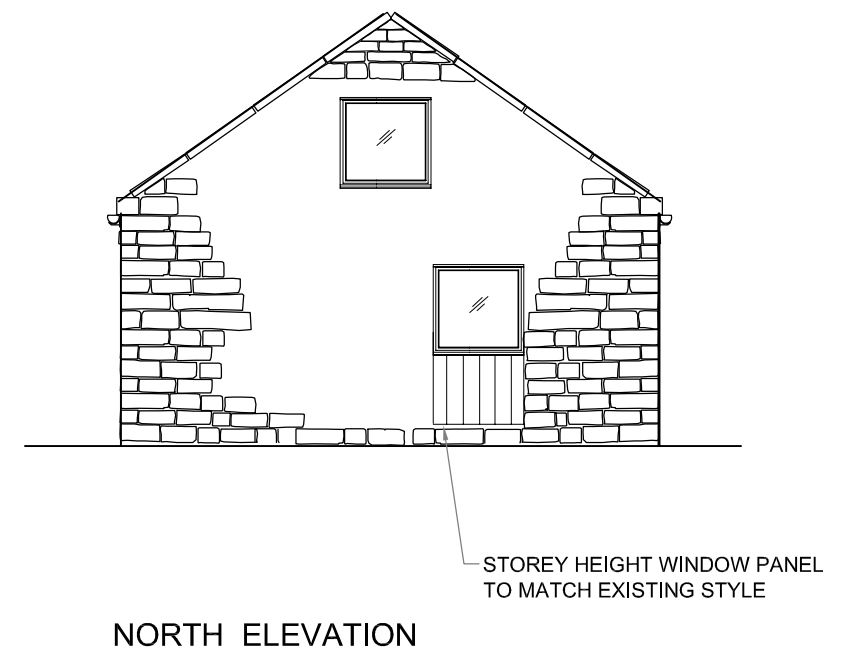
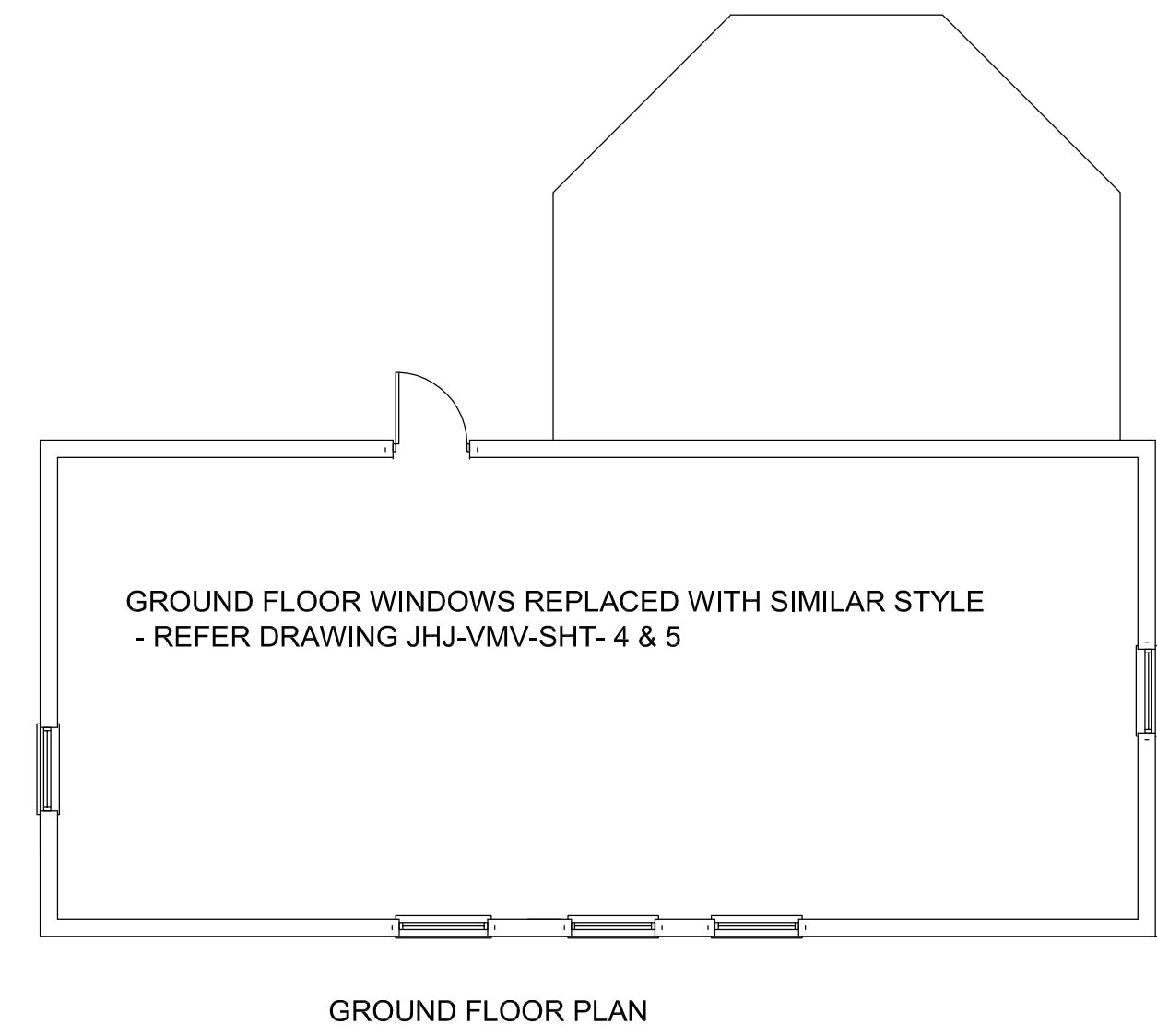
SOUTH ELEVATION

PROPOSED IMPROVEMENTS TO HIGH LEAS, HAWSKER, FOR Mr. & Mrs. VERRILL
ELEVATIONS AS EXISTING

JHJ-VMV-SHT-3-rev0

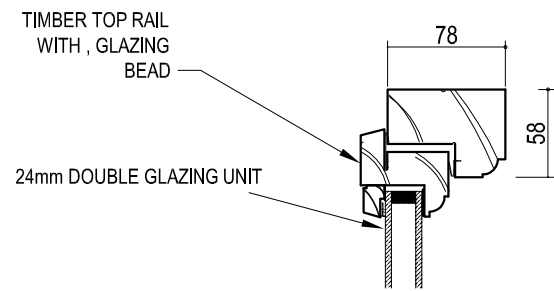


NYMNP
03/07/2019

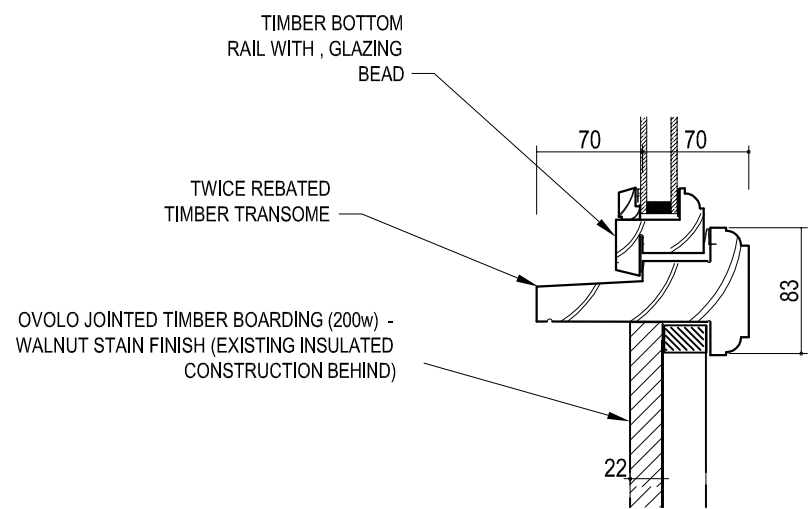


JHJ-VMV-SHT-2-rev0

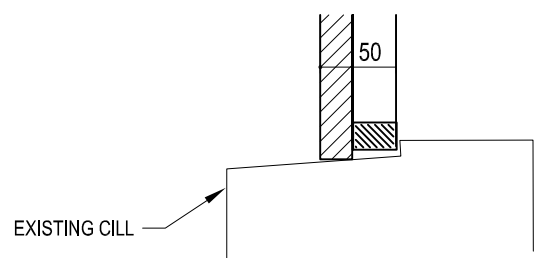
NYMNP
03/07/2019



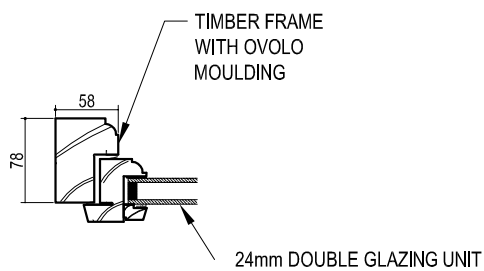
A



B

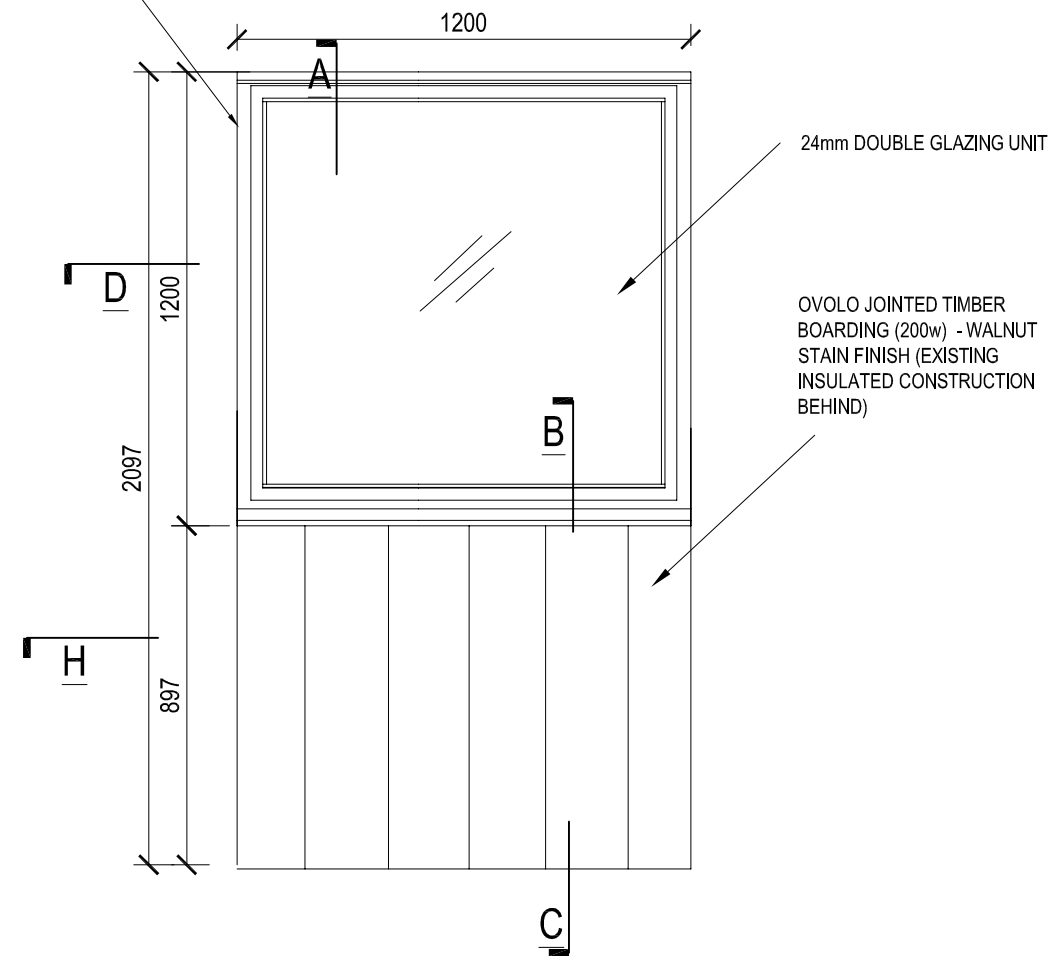


C

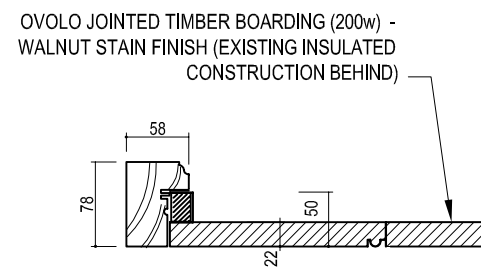


D

HERITAGE TRADITIONAL FLUSH CASEMENT, TOP HUNG OUTWARD OPENING, ON 3in BUTT HINGES & STAYS & FASTENERS



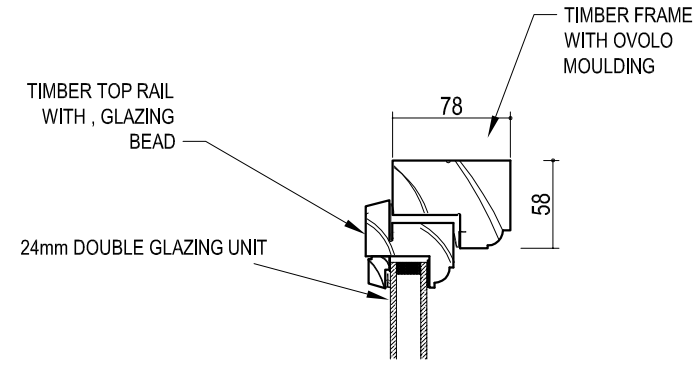
TOP HUNG FLUSH CASEMENT WITH BOARDED PANEL



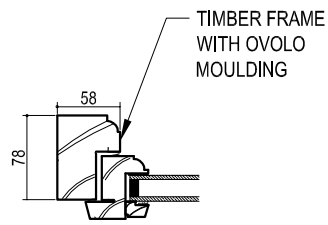
H

JHJ-VMV-SHT-4-rev0

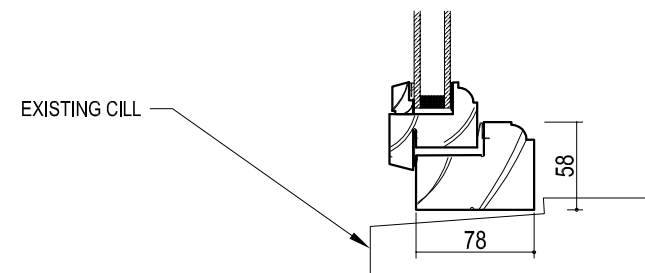
NYMNPA
03/07/2019



A

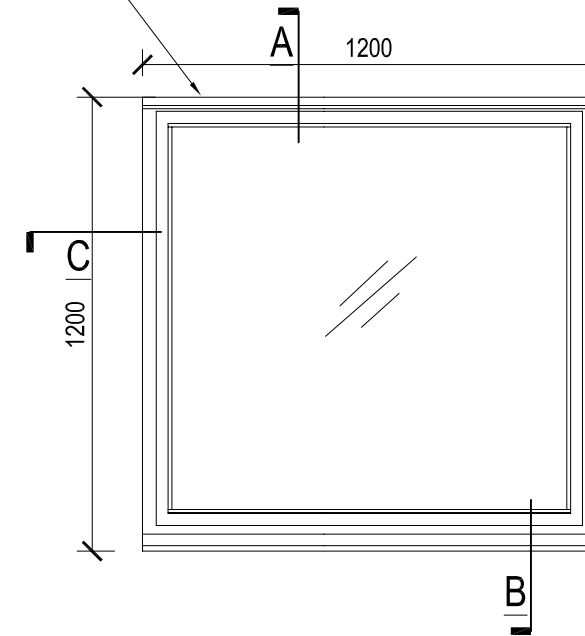


C



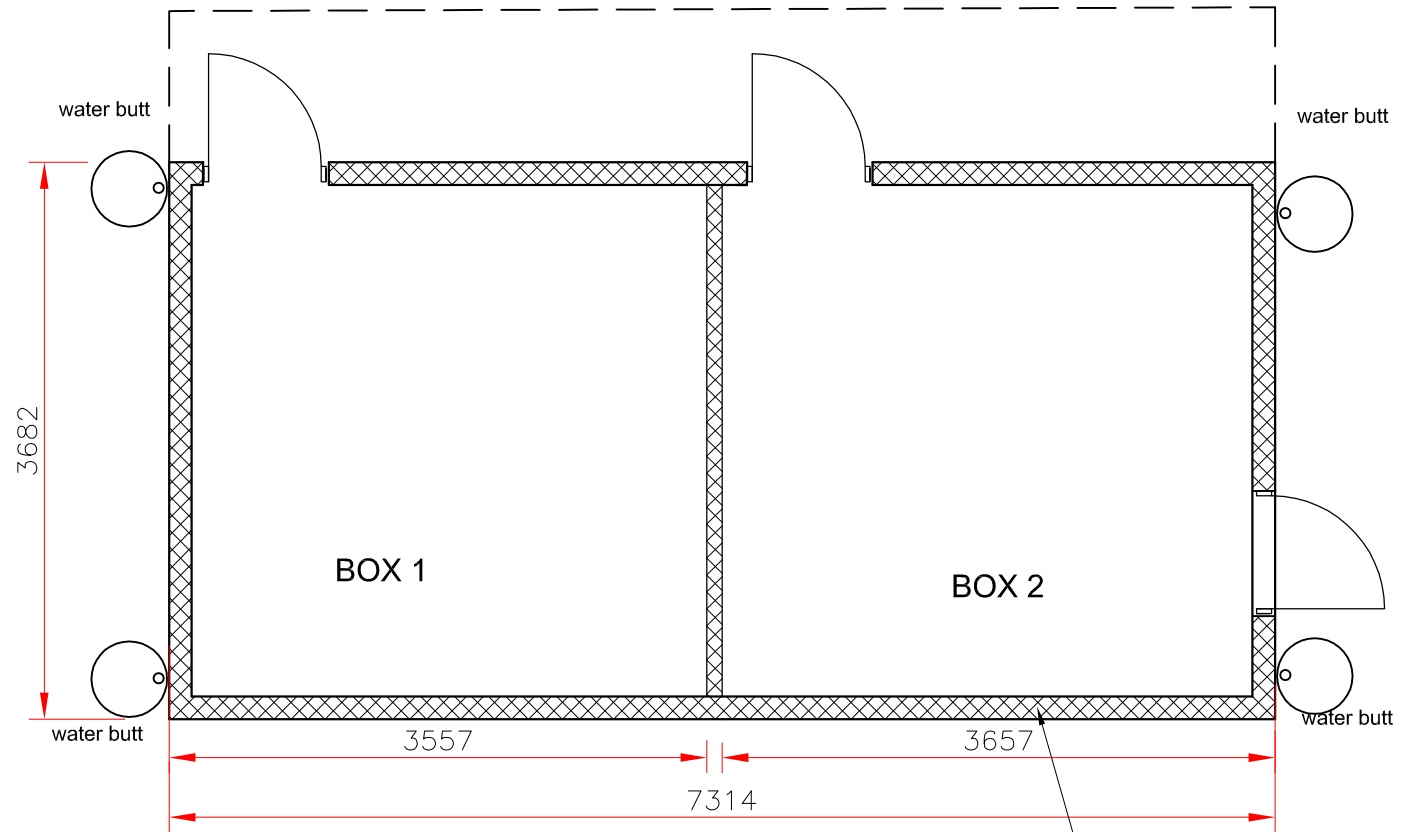
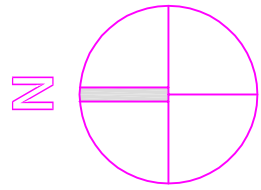
B

HERITAGE TRADITIONAL FLUSH CASEMENT, TOP HUNG OUTWARD OPENING, ON 3in BUTT HINGES & STAYS & FASTENERS



TOP HUNG FLUSH CASEMENT

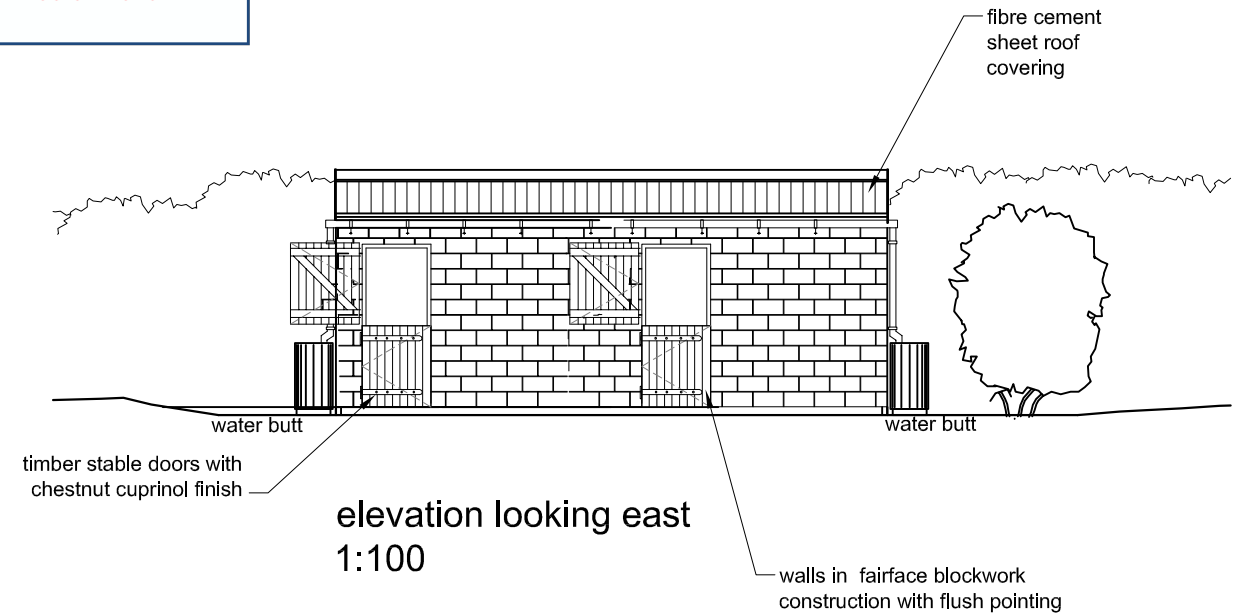
JHJ-VMV-SHT-5-rev0



plan as proposed
1:50

walls in fairface blockwork construction with flush pointing

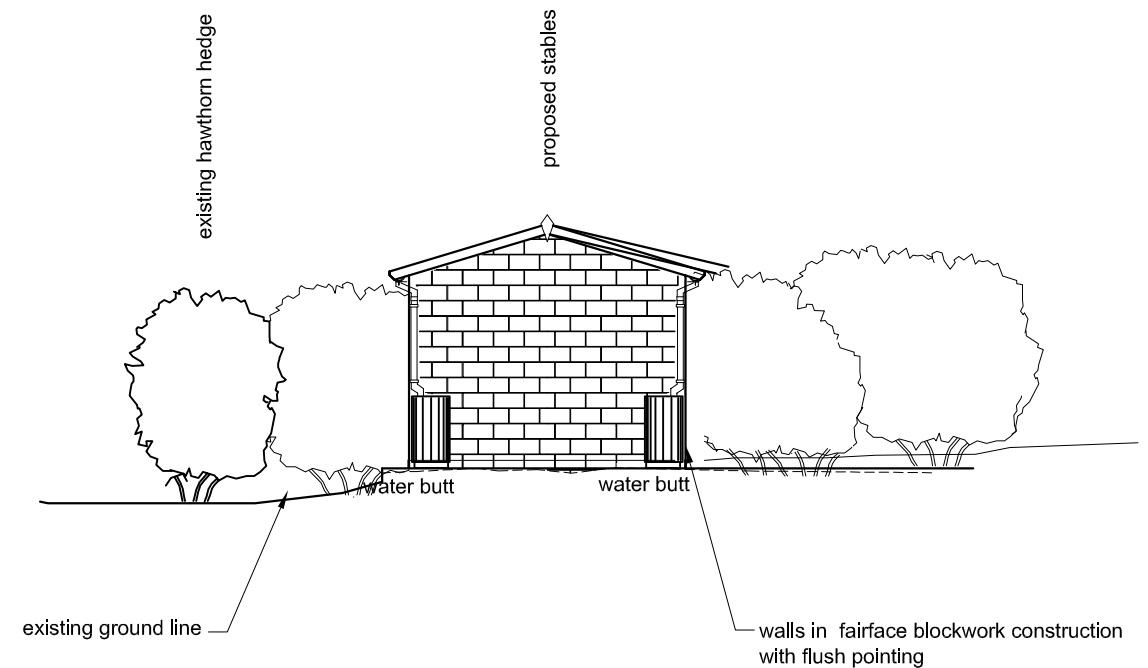
NYMNPA
03/07/2019



elevation looking east
1:100

timber stable doors with chestnut cuprinol finish

walls in fairface blockwork construction with flush pointing



elevation looking north
1:100

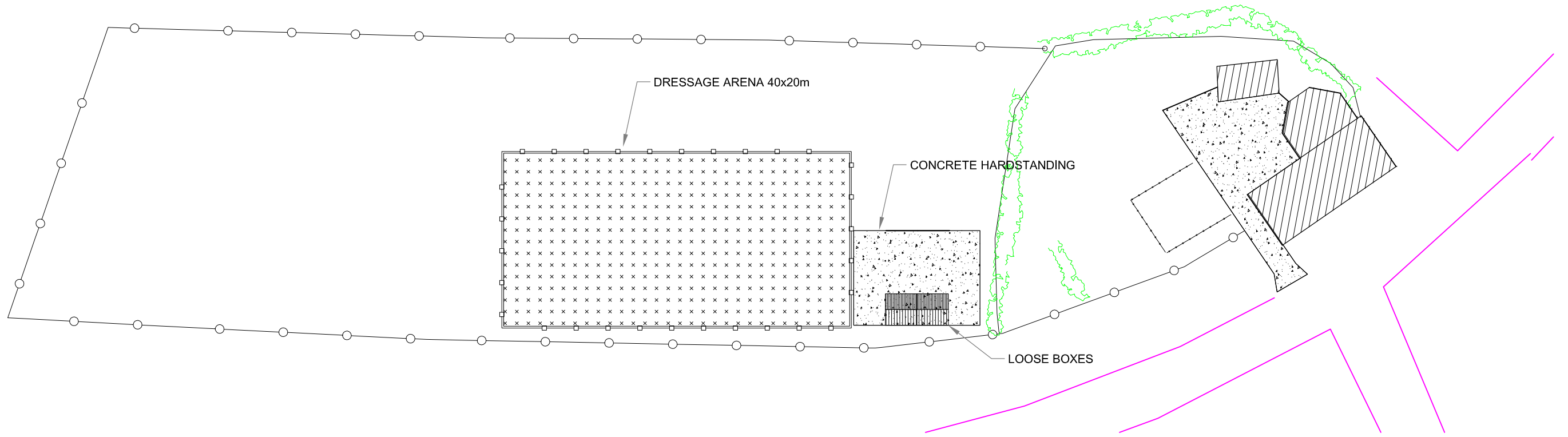
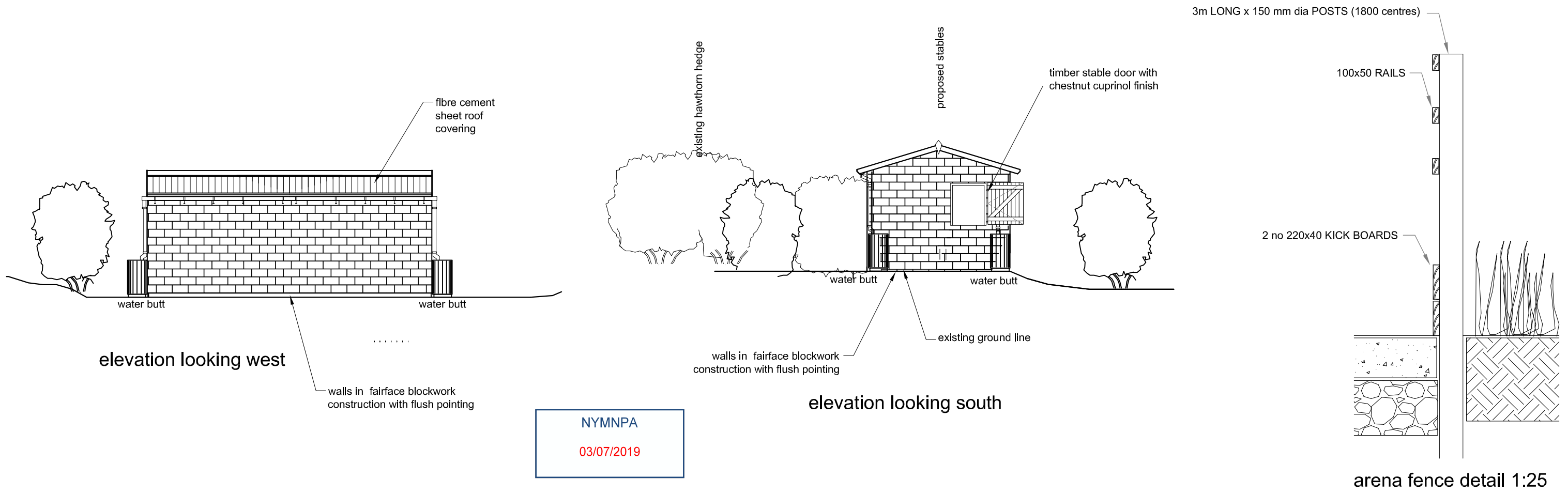
existing ground line

walls in fairface blockwork construction with flush pointing

PROPOSED LOOSE BOXES, TO FIELD AND DRESSAGE ARENA . ADJACENT HIGH LEAS, HAWSKER

PLAN & ELEVATION AS PROPOSED SCALE 1:50, 100 (@ A3)

JHJ-VMV-SHT-6-rev0

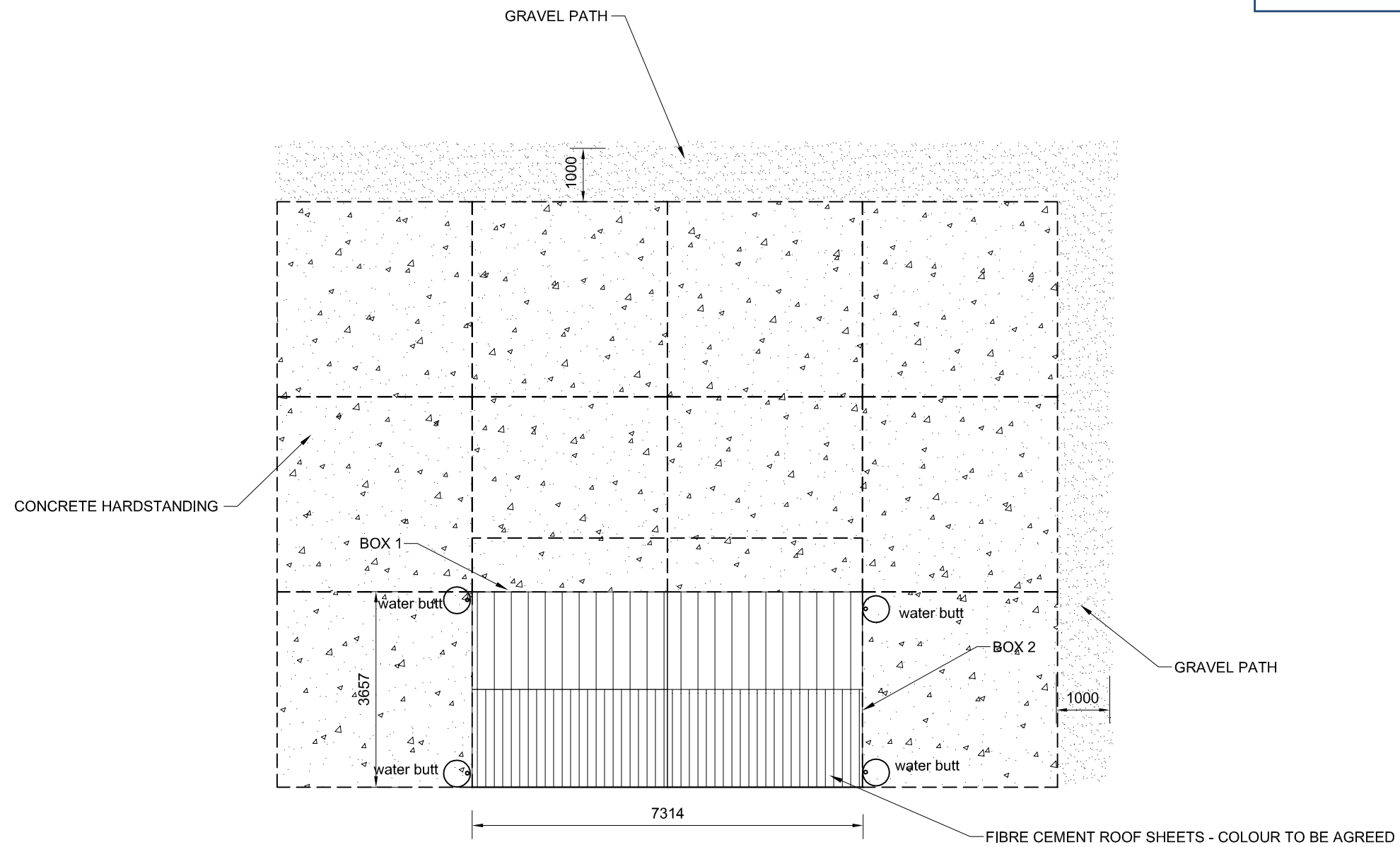


PROPOSED LOOSE BOXES, TO FIELD AND DRESSAGE ARENA . ADJACENT HIGH LEAS, HAWSKER WEST & SOUTH ELEVATION, SITE PLAN AS PROPOSED SCALE 1:100, 1:500 (@ A3)

JHJ-VMV-SHT-8-rev0

NYMNP

03/07/2019



PROPOSED LOOSE BOXES, TO FIELD AND DRESSAGE ARENA ADJACENT HIGH LEAS, HAWSKER
STABLE LAYOUT AS PROPOSED – SCALE 1:100 (@ A3)

JHJ-VMV-SHT-7-rev0