

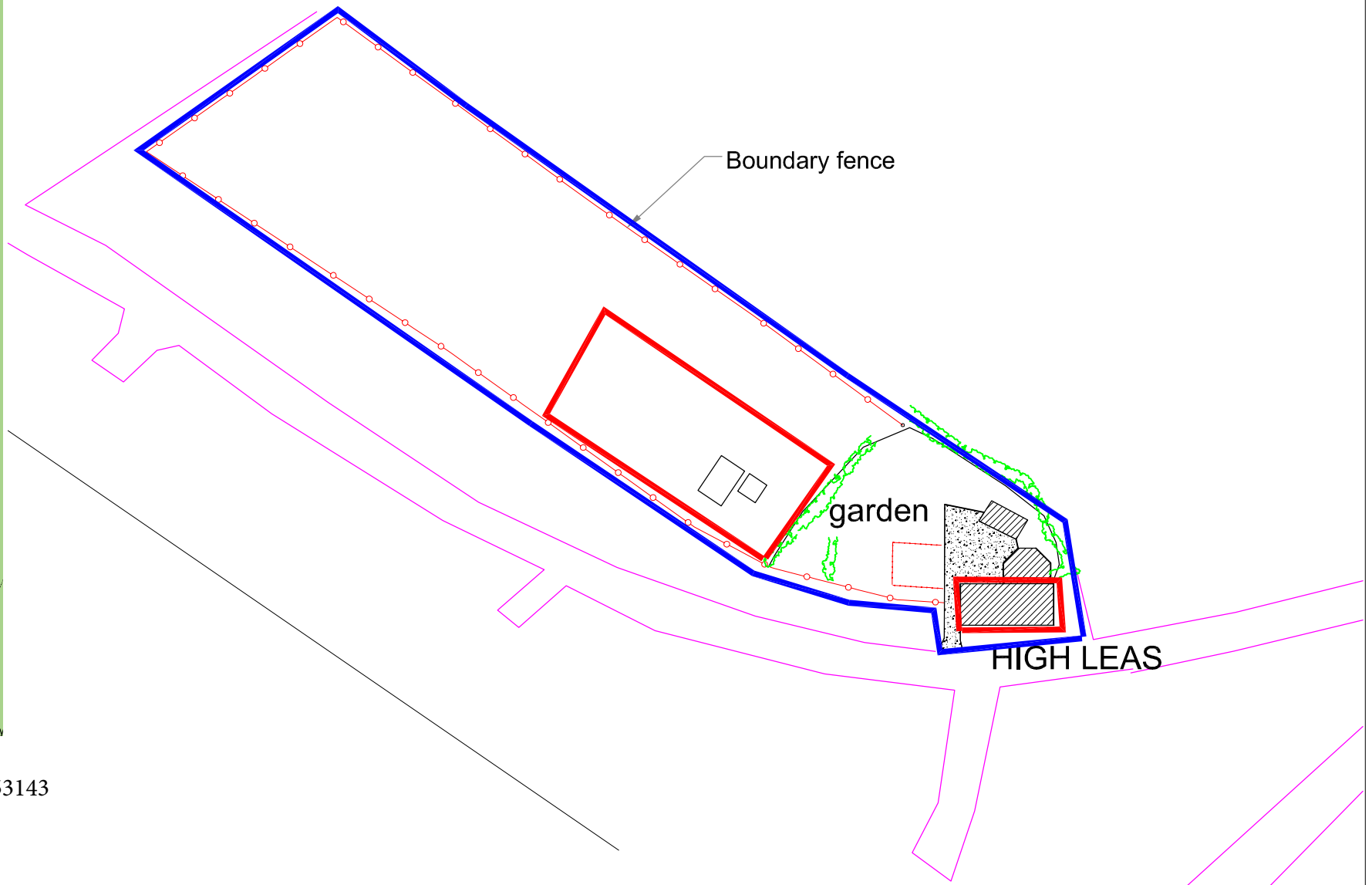
High Leas, Hawsker Lane, Hawsker, Whitby, North Yorkshire, YO22 4LA

NYMNP
03/07/2019



Ordnance Survey Licence No 100053143

LOCATION PLAN Scale 1:1250



SITE PLAN Scale 1:1000

JHJ-VMV-SHT-1-rev0

PROPOSED IMPROVEMENTS TO HIGH LEAS, HAWSKER, FOR Mr. & Mrs. VERRILL

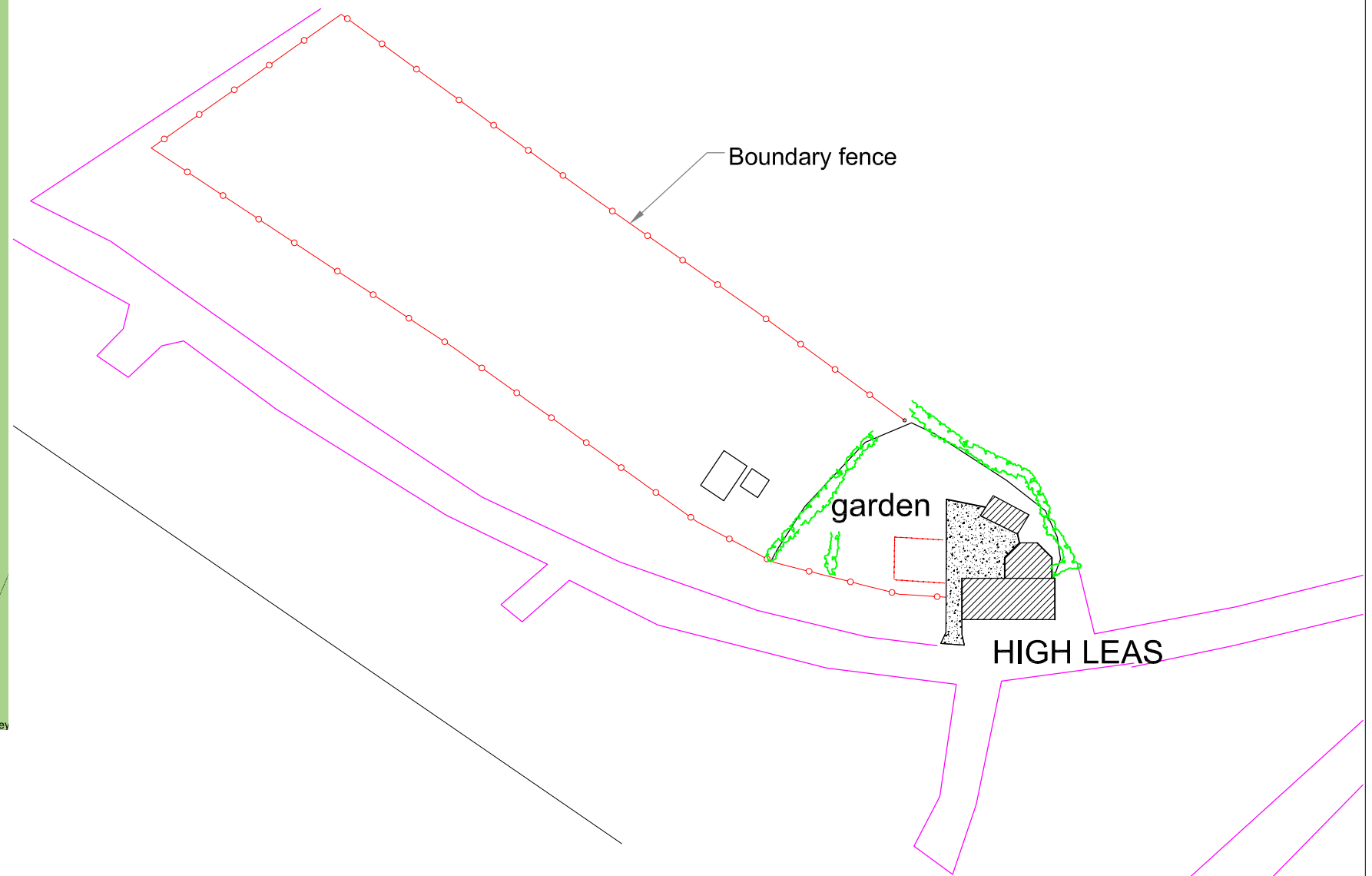
PLANS - SITE & LOCATION

High Leas, Hawsker Lane, Hawsker, Whitby, North Yorkshire, YO22 4LA



LOCATION PLAN Scale 1:1250

NYMNP
03/07/2019



SITE PLAN Scale 1:1000

JHJ-VMV-SHT-1-rev0

PROPOSED IMPROVEMENTS TO HIGH LEAS, HAWSKER, FOR Mr. & Mrs. VERRILL

PLANS - SITE & LOCATION

NYMNP

03/07/2019



WEST ELEVATION



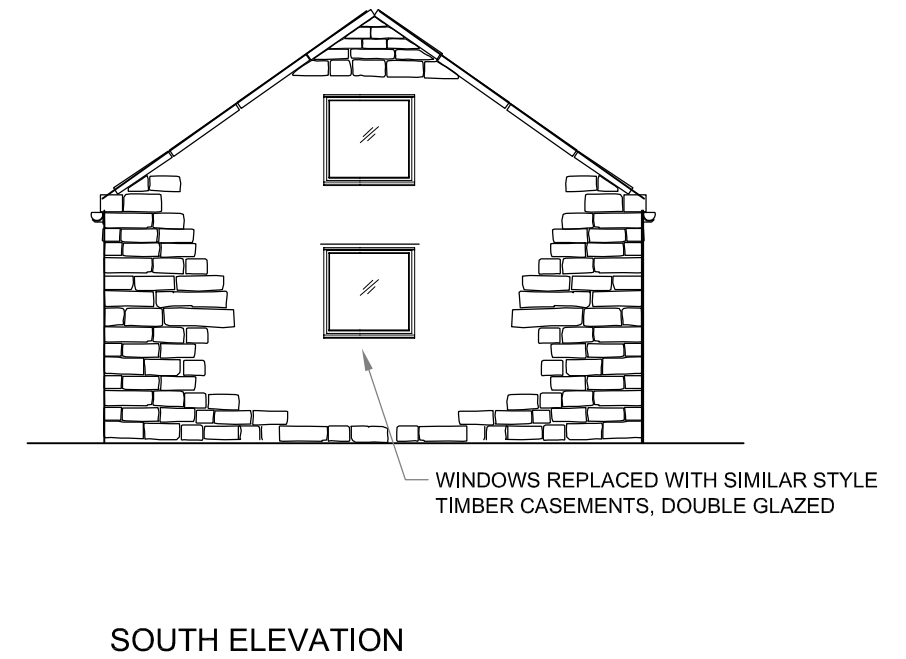
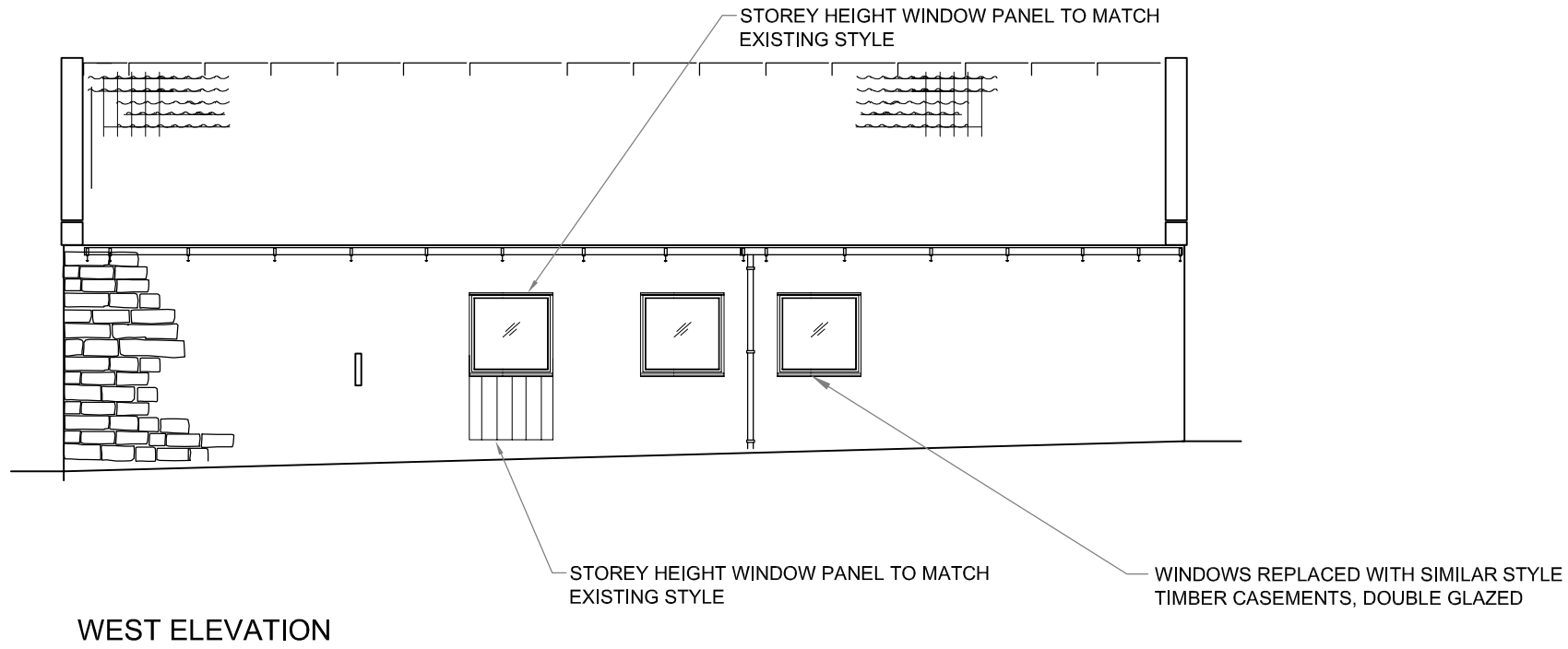
NORTH ELEVATION



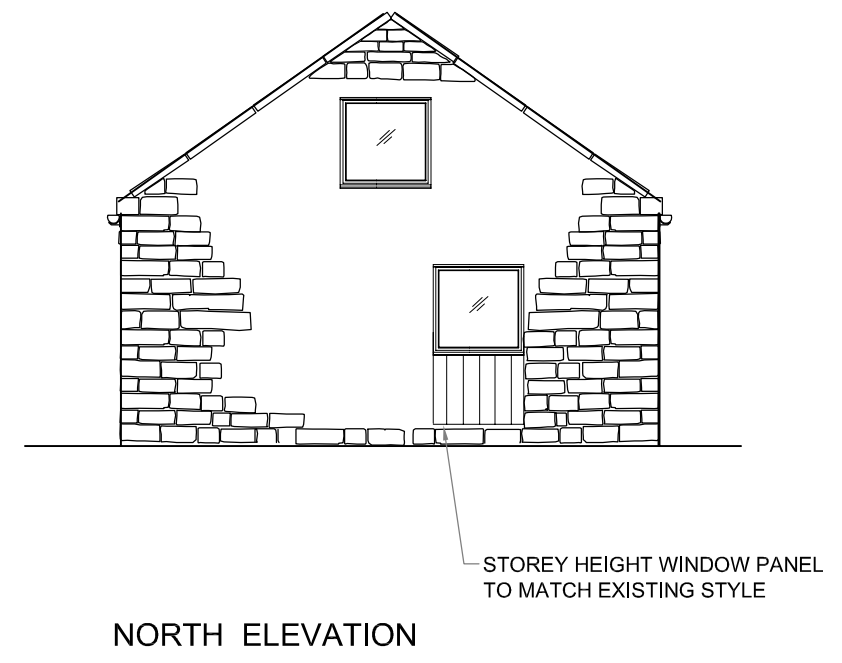
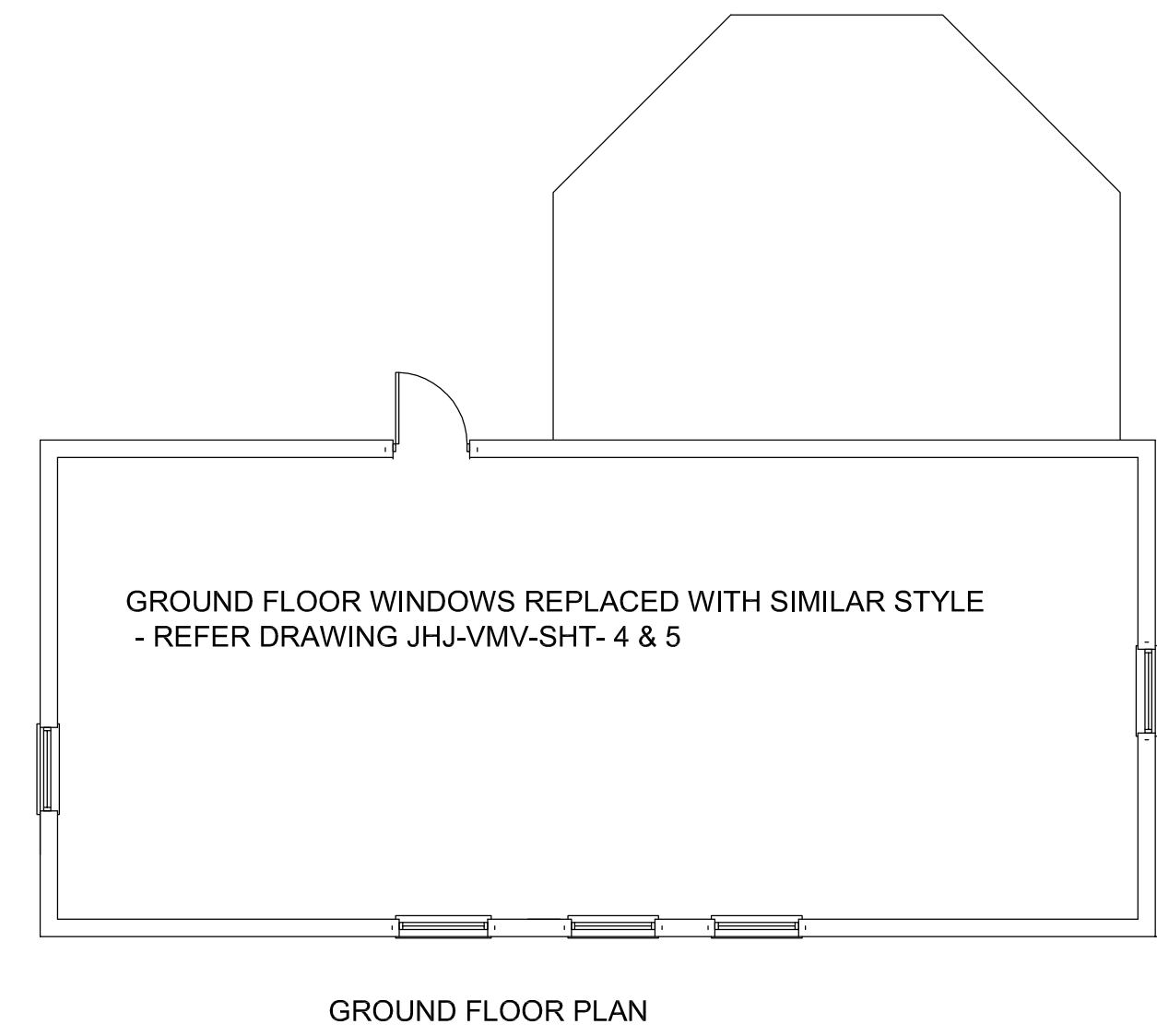
SOUTH ELEVATION

PROPOSED IMPROVEMENTS TO HIGH LEAS, HAWSKER, FOR Mr. & Mrs. VERRILL
ELEVATIONS AS EXISTING

JHJ-VMV-SHT-3-rev0

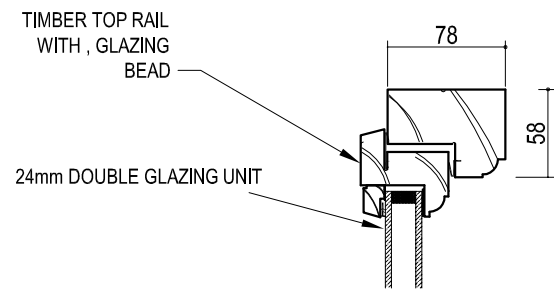


NYMNP
03/07/2019

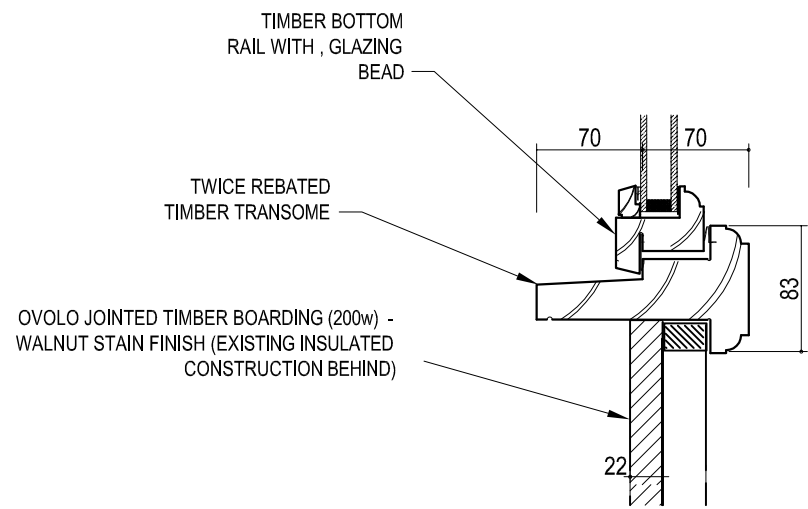


JHJ-VMV-SHT-2-rev0

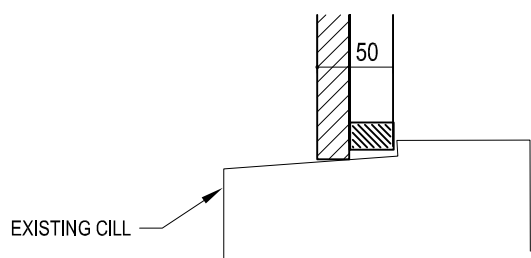
NYMNP
03/07/2019



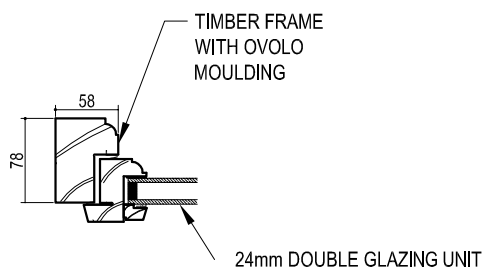
A



B

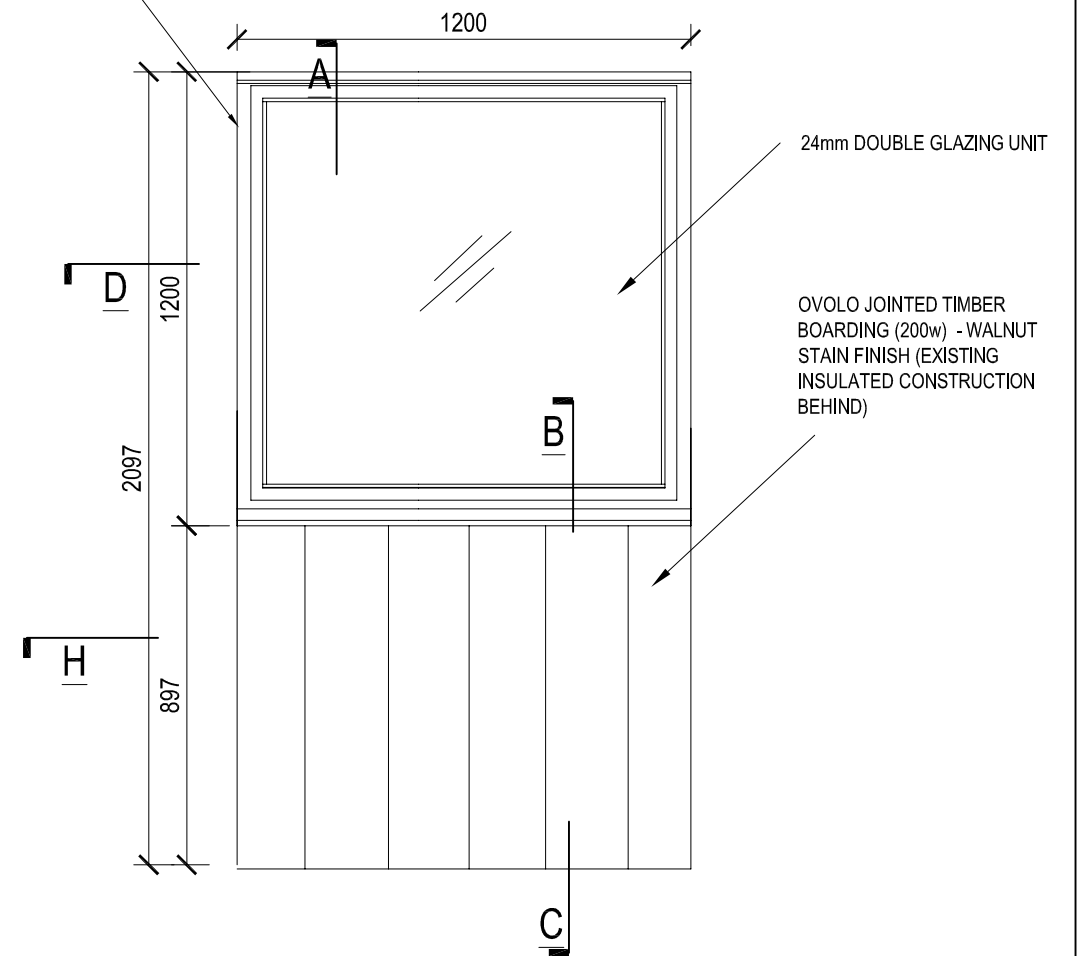


C



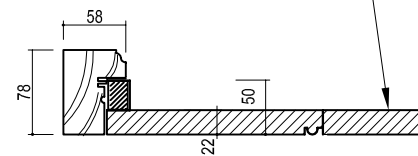
D

HERITAGE TRADITIONAL FLUSH CASEMENT, TOP HUNG OUTWARD OPENING, ON 3in BUTT HINGES & STAYS & FASTENERS



TOP HUNG FLUSH CASEMENT WITH BOARDED PANEL

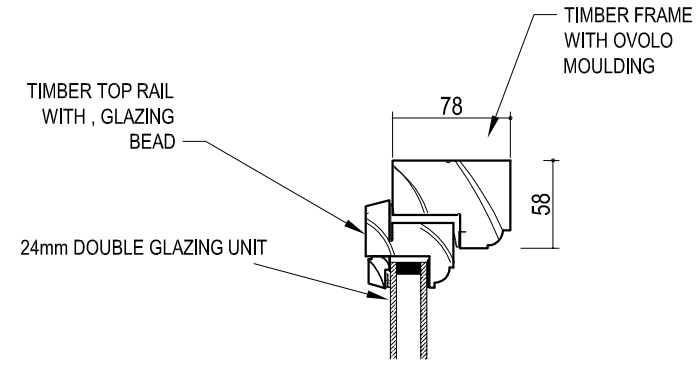
OVOLO JOINTED TIMBER BOARDING (200w) - WALNUT STAIN FINISH (EXISTING INSULATED CONSTRUCTION BEHIND)



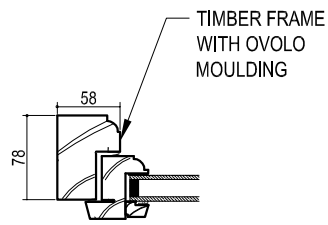
H

JHJ-VMV-SHT-4-rev0

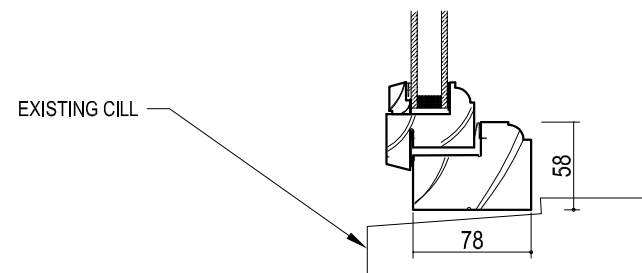
NYMNPA
03/07/2019



A

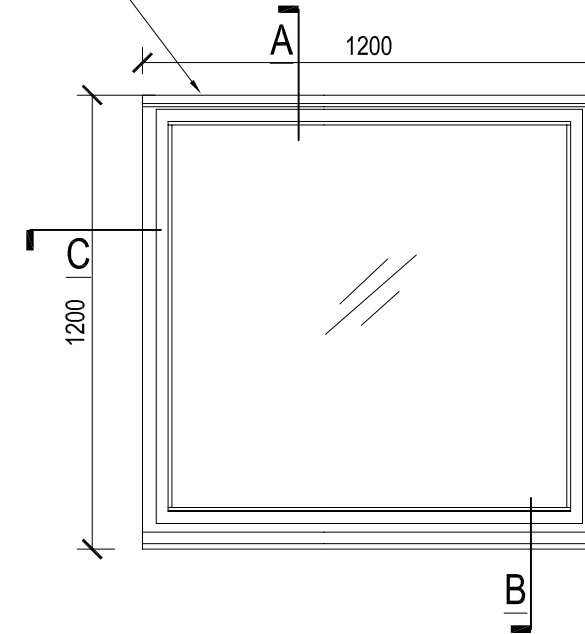


C



B

HERITAGE TRADITIONAL FLUSH CASEMENT, TOP HUNG OUTWARD OPENING, ON 3in BUTT HINGES & STAYS & FASTENERS



TOP HUNG FLUSH CASEMENT

JHJ-VMV-SHT-5-rev0