



2 Outline of work.

Area 1 – Entrance and car parking area.

Reasoning:

- Improved visitor offer on tourist route and interpretation of special qualities of the area.
- Prevention of unauthorised vehicular access and associated damage on a SAC/SSSI protected nature reserve.

Scope of work:

- Remove existing metal bollards, install pedestrian gate next to vehicle gate and create 5m long timber birdsmouth fencing to each side of gates.
- A donation post installed.
- New welcome sign at car park entrance (approx. 750mm x 335mm) and replace 2x existing interpretation boards in the same location (lectern style, A1 size approx. 841mm x 594mm).

Area 2 – Restoration of footpath.

Reasoning:

- Prevent damage to fragile bog habitat at base of slope from siltation and run-off.
- Improve landscape character by preventing further erosion and braided pathways.
- Safer path surface on NYM long distance route, the Lyke Wake walk and popular viewing point for NYMR.

Scope of work:

- Regrade and resurface approximately 65m sloping footpath to 1.5m wide, including water bars, pitched steps and stone pitched ford to carry water from LHS to RHS of path.
- Crossfall surface water into existing braided route which will act as ditch (with low bunds every 10m to catch sediment).
- Additional stone pitched water bars on track to North of slope to shed surface water.
- 1x replacement interpretation board, previously sited but removed due to bad condition (lectern style, A1 size approx. 841x594mm).

Area 3 – Sleeper boardwalks.

Reasoning:

- Prevent damage to sensitive flushes which are rich in biodiversity.
- Improved visitor access to nature reserve.
- Improved landscape character by reducing path braiding and trampling.
- Unobtrusive construction method and material.

Scope of work:

- Up to 40m (in a 150m stretch) of simple 3 wide sleeper boardwalk constructed in short sections over the wettest areas of this permissive footpath.
- Replace 1x existing interpretation board in the same location (lectern style, A1 size approx. 841mm x 594mm).

Special site considerations.

A large part of the nature reserve is a designated Site of Special Scientific Interest (SSSI) and Special Area of Conservation (SAC) due to the transition mires and quaking bogs which are found here, which are considered to be one of the best areas in the United Kingdom. The SSSI citation also includes the upland plant communities which surround the bog.

All of the proposed works take place on SSSI/SAC. In order to carry out the work outlined above we will also need to seek consent from Natural England. In order to gain this consent we will need to show that we have considered the environmental impacts of carrying out the work and reduced potential negative impacts as far as possible.

As outlined in the reasoning above the objective of carrying out the work is to improve path surfaces in order to reduce damage to the surrounding and underlying habitats. Therefore once completed the work will provide a positive environmental impact. Path improvement in area 3 is already identified as a recommendation in the NE SAC site improvement plan.

YWT staff and contractors must complete a specific risk assessment and method statement for each area of work which identifies where operations have the potential to cause damage to the environment and implement measures to eliminate this risk or reduce it to an acceptable level.

These risks include; use of machinery and refuelling, use of additional material in construction, timing of work, weather conditions, biosecurity, removal/cutting of plant material, construction of track and drainage channels, erection of structures.



Welcome sign at car park entrance (Area 1).

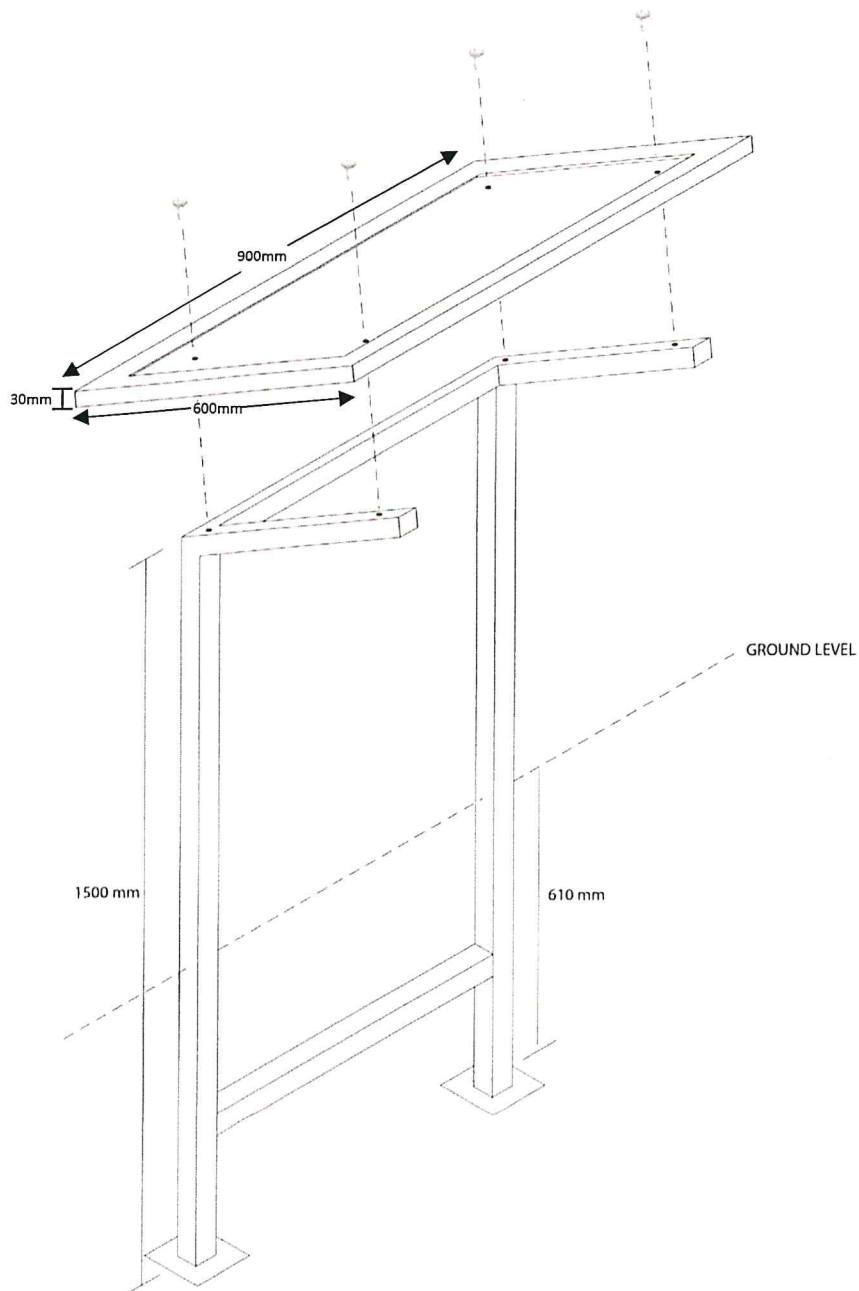
Text will read 'Welcome to Fen Bog Nature Reserve'.

Sign dimensions (W)750 x (H)335 mm.

Steel posts 450mm above ground.

Total height of sign 785mm.





Welcome to Fen Bog Nature Reserve

Fen Bog is a delightful nature reserve owned by Yorkshire Wildlife Trust. It has a variety of special upland habitats providing a home for a range of special wildlife including whinchats, golden-ringed dragonflies, small pearl-bordered fritillaries and adders. Please treat their home with care and respect.

If you enjoy your visit, please consider joining as a member of Yorkshire Wildlife Trust or making a donation. This will help us keep Fen Bog and our other nature reserves special for wildlife and people like you to visit. Thank you.

www.ywt.org.uk

YWT is a registered charity in England No. 409620 and a registered charity No. 212887



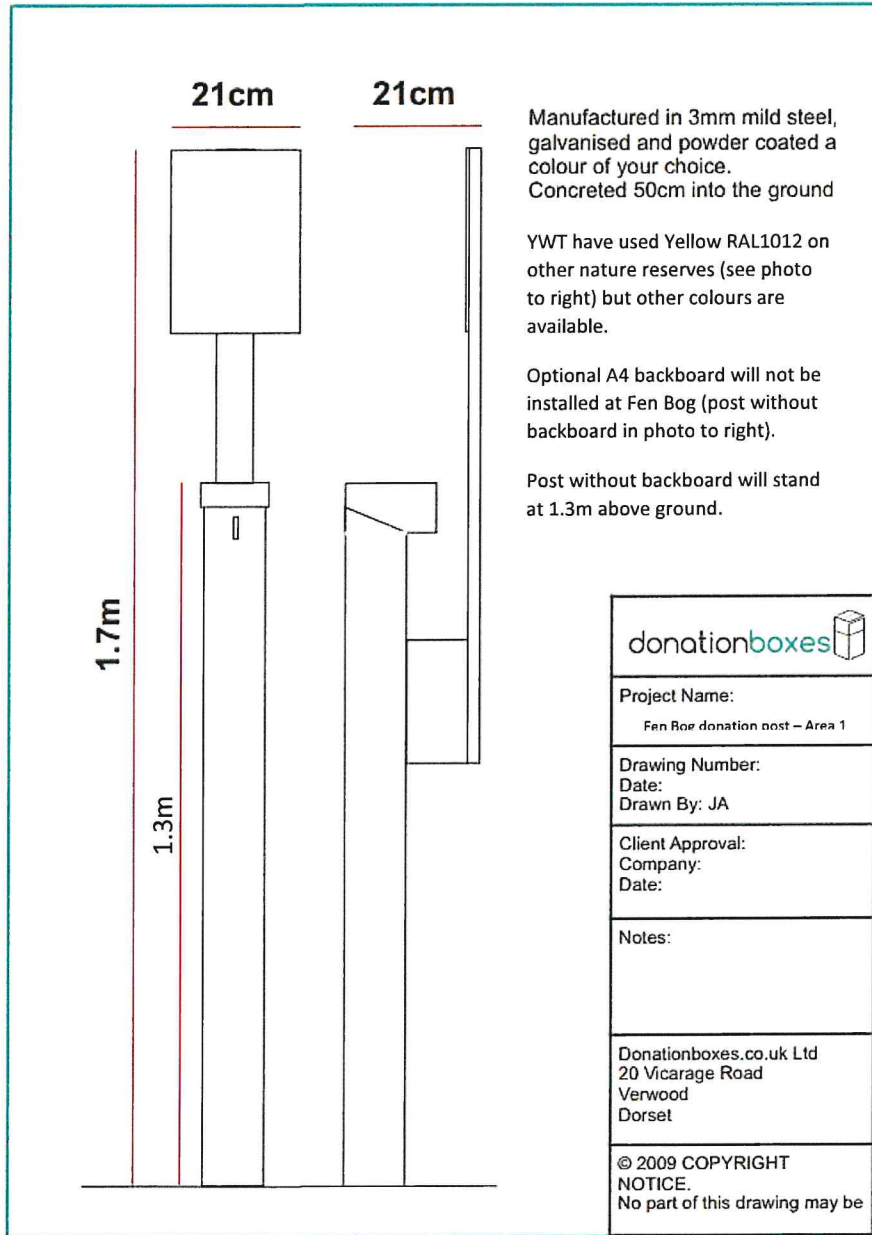
Love Yorkshire, Love Wildlife

Left: Diagram of lectern and sign casing with measurements.

Above: Example of interpretation panel which will be inside casing.



Steel lectern with sign casing for interpretation panel (Area 1, 2 and 3).



Donation post (Area 1).

