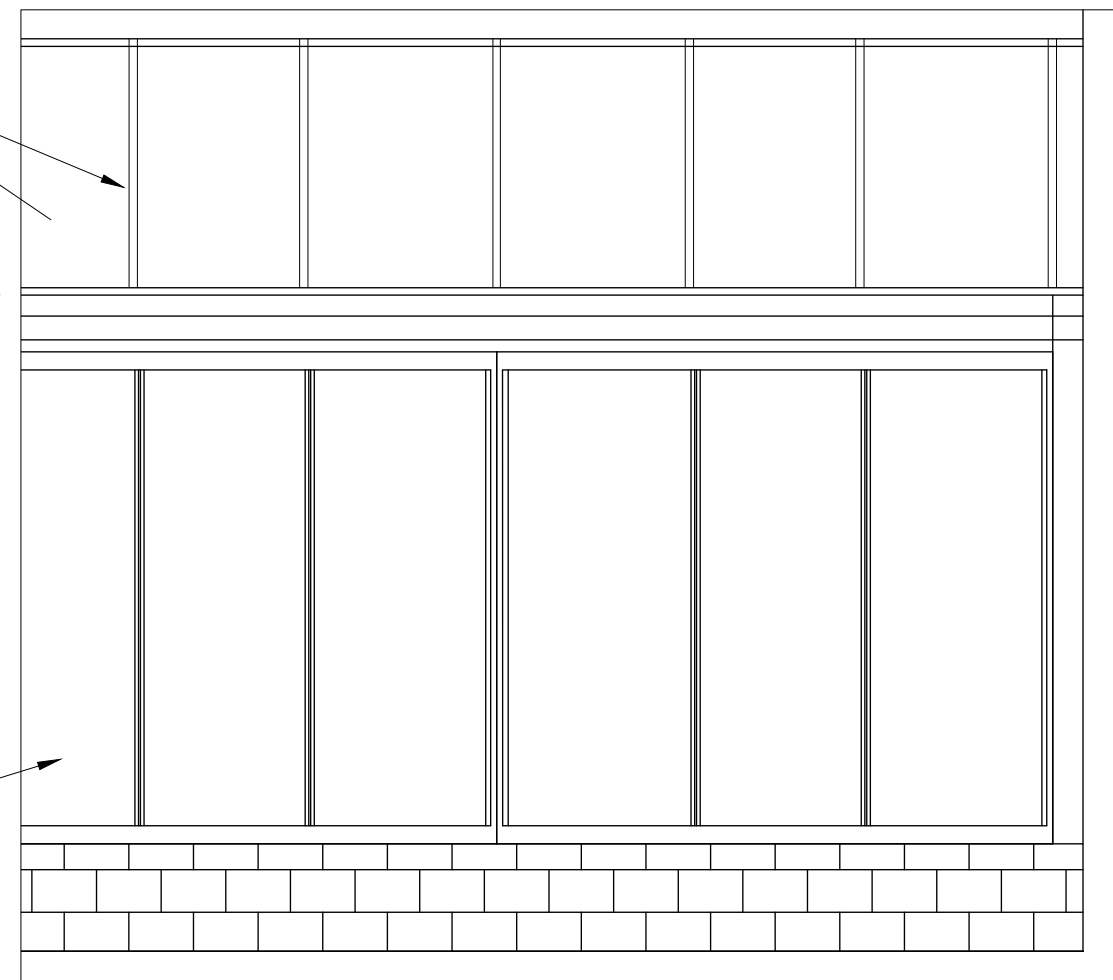


GLASSHOUSE GABLE SCREEN 1 - EAST ELEVATION
GLASSHOUSE GABLE SCREEN 2 - WEST ELEVATION - (HANDED)

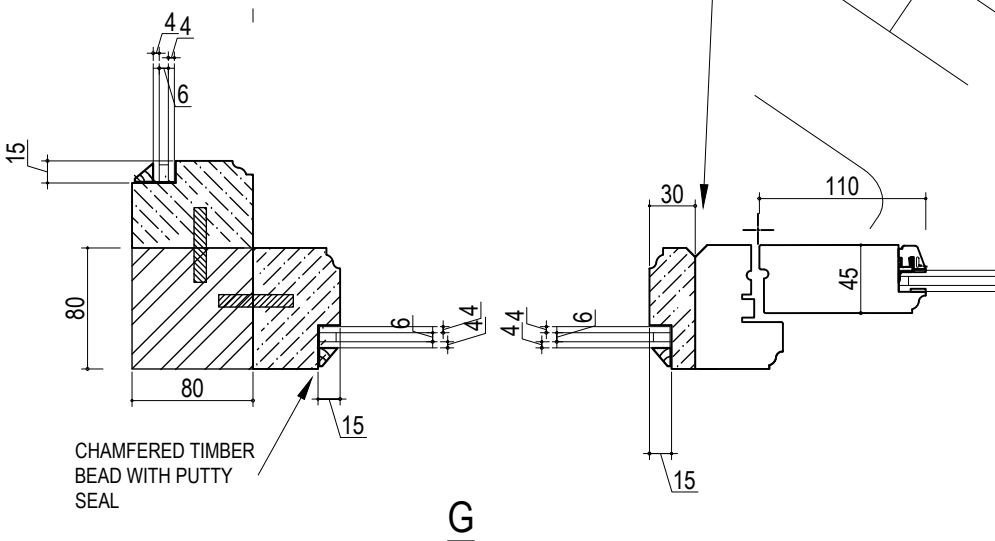
FIXED DOUBLE GLAZED ROOF
PANELS - 24mm SEALED UNITS,
ANTI-REFLECTIVE GLASS, IN TIMBER
FRAME

FIXED DOUBLE GLAZING - 14mm
SEALED UNITS, ANTI-REFLECTIVE
GLASS, IN TIMBER FRAME

AMENDED



GLASSHOUSE - PART SOUTH ELEVATION - 1:20



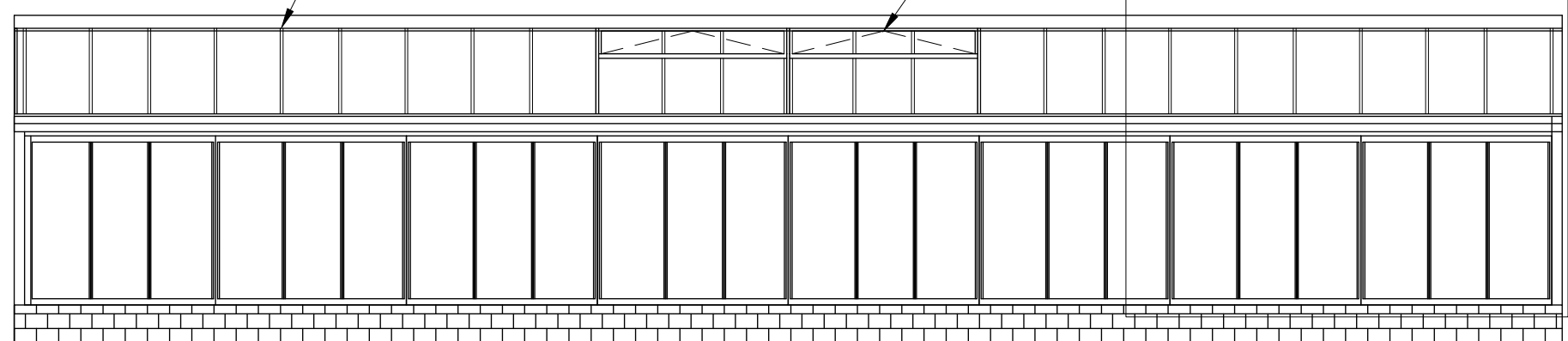
FRAMES WITH CHAMFERED
DETAIL AT JOINT

CHAMFERED TIMBER
BEAD WITH PUTTY
SEAL

G

ALUMINIUM CAPPINGS

OPENING VENTS IN ROOF



GLASSHOUSE - SOUTH ELEVATION - 1:50

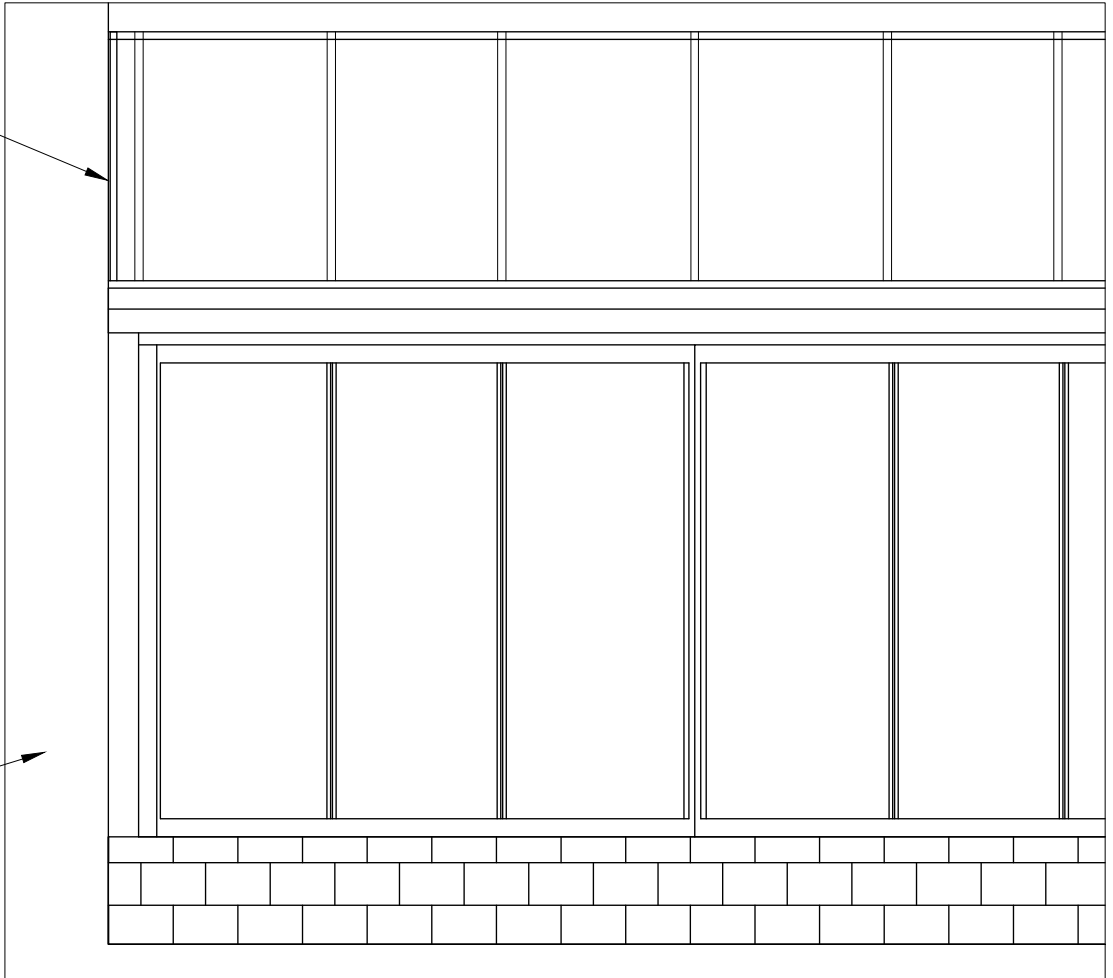
NYMNPA
23/10/2019

AMENDED

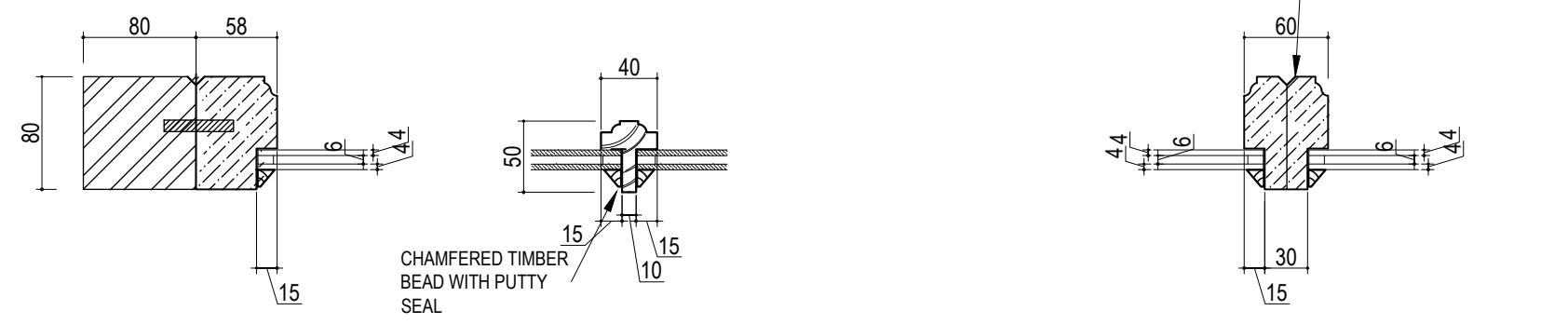
J. HALLAM JOINERY

FIXED DOUBLE GLAZED ROOF
PANELS - 24mm SEALED UNITS,
ANTI-REFLECTIVE GLASS, IN TIMBER
FRAME

FIXED DOUBLE GLAZING - 14mm
SEALED UNITS, ANTI-REFLECTIVE
GLASS, IN TIMBER FRAME



GLASSHOUSE - PART SOUTH ELEVATION - 1:20



GLASSHOUSE - DETAILS - 1:5

J. HALLAM
JOINERY

Store Adjacent to Kirkdale, Egton, Whitby, North Yorkshire. YO21 1UT
01947 895040 07896 158519 jhallam.joinery1@gmail.com www.jhallamjoinery.co.uk