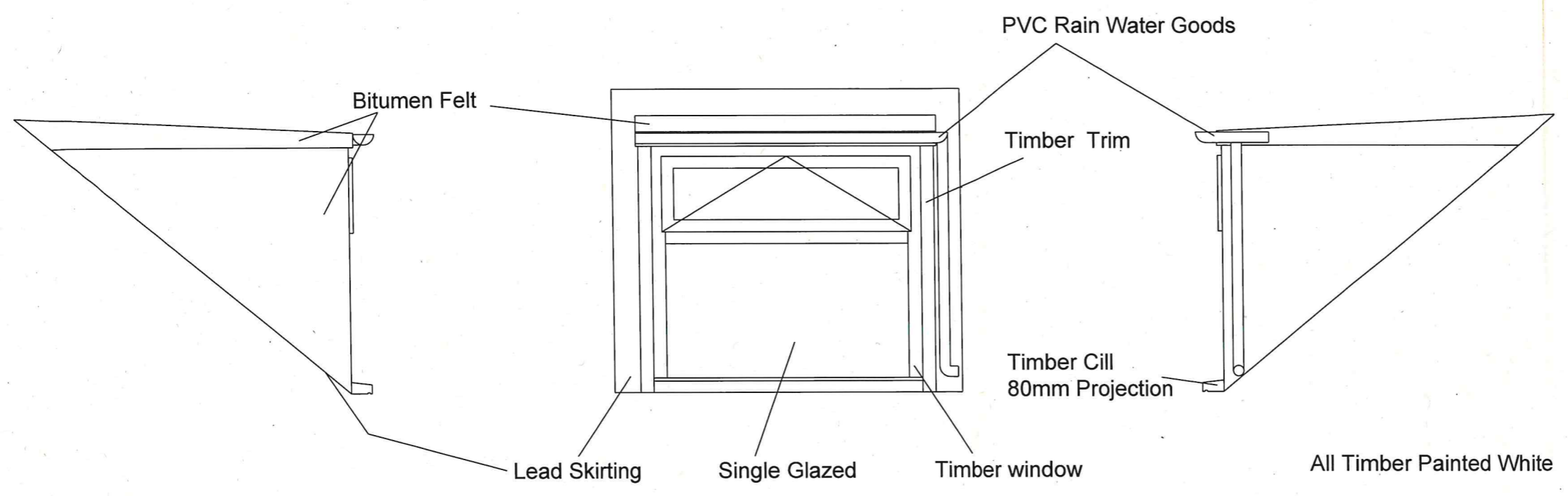
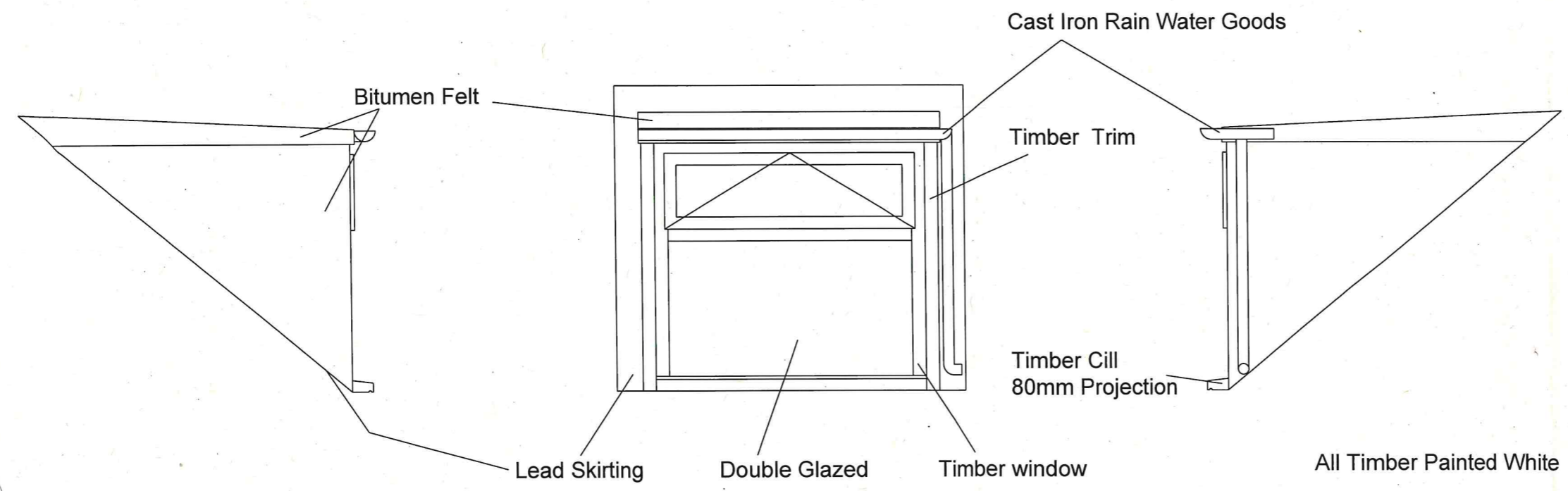


This drawing should not be scaled.  
All dimensions must be checked on site and contractor to report any omissions or errors to the contract administrator

NOTES



Existing Dormer



Proposed Dormer



Rev	Description	Drn	Chk	Date
	Drawing Status			
	PRELIMINARY <input type="checkbox"/>			APPROVAL <input type="checkbox"/>
	INFORMATION <input type="checkbox"/>			TENDER <input type="checkbox"/>
				CONSTRUCTION <input type="checkbox"/>

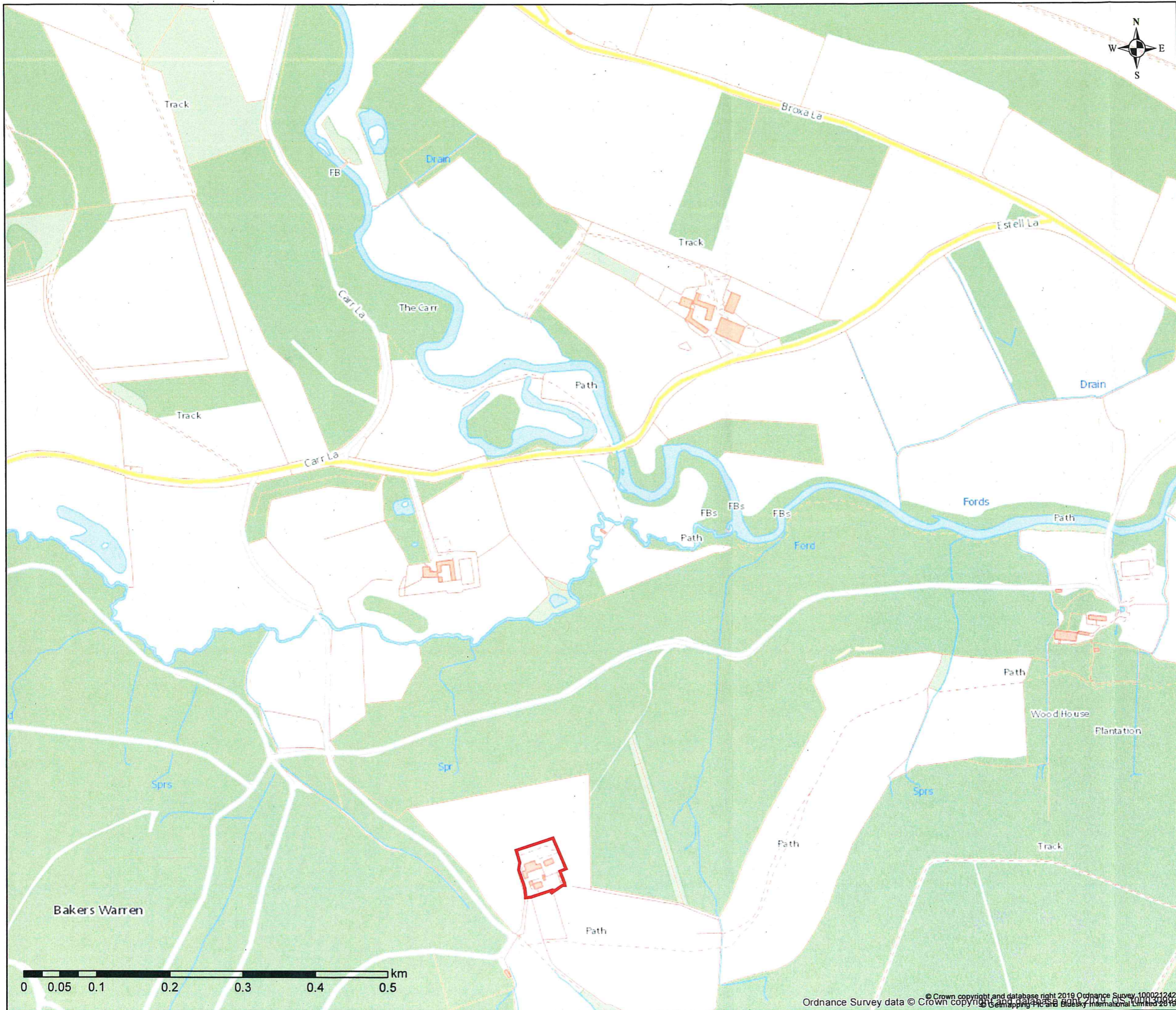


Estates Department  
Forestry England  
Yorkshire Forest District  
Outgang Road,  
Pickering,  
North Yorkshire,  
YO18 7EL.

Project  
Mount Misery Farm

Content  
Existing and Proposed Dormer Elevations

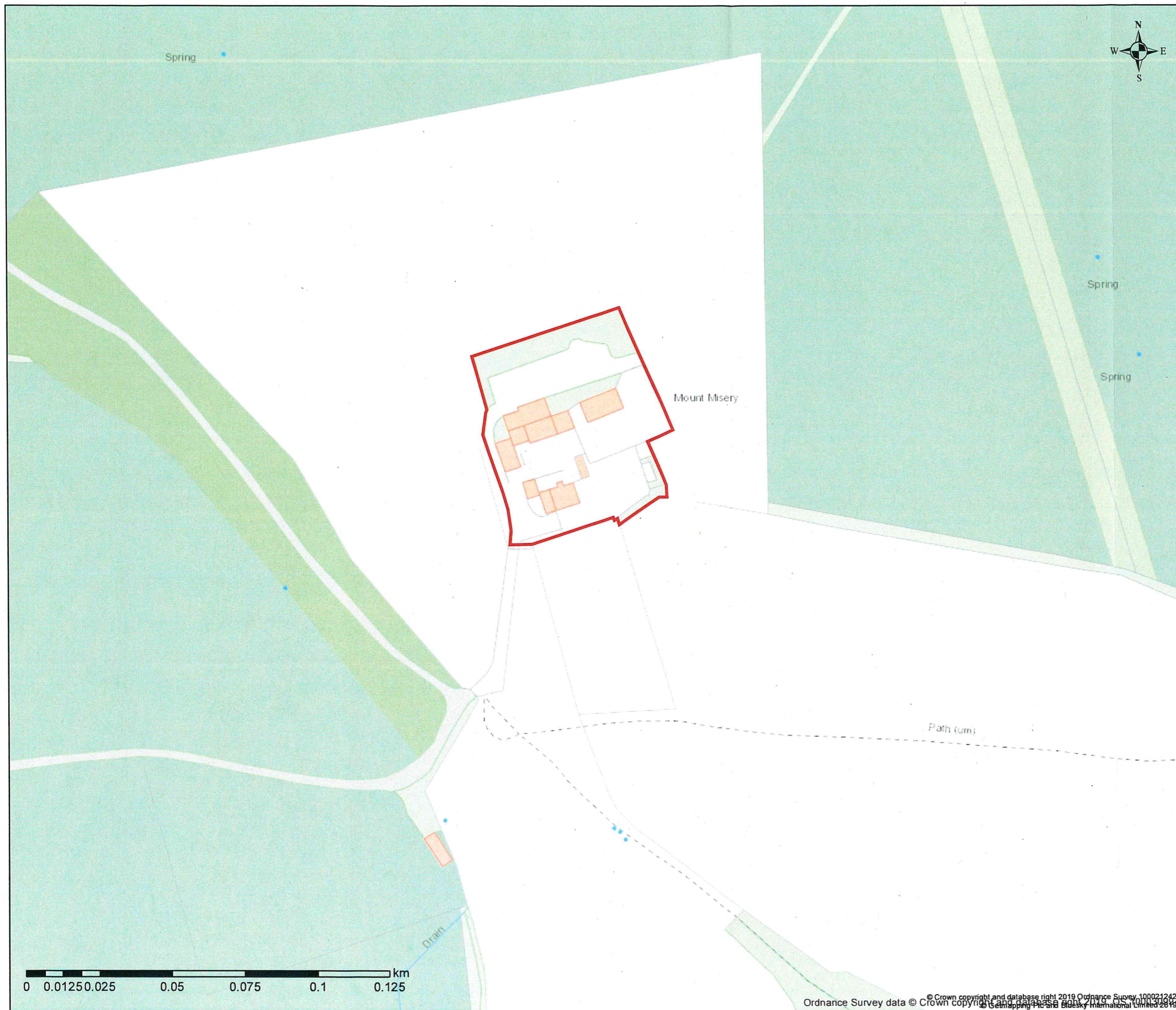
Date	December 2019	Drg No.	FEY231219.02
Drawn	AW	Checked	XXXXXX
		Scales @ A3	1:20



**Title: Mount Misery Location Plan**  
 Date: 6 December 2019  
 Author: Andrew Warrior  
 Scale @ A3: 1:5,000

NYMNPA  
 12 DEC 2019





NYMNPA  
12 DEC 2019

0 0.0125 0.025 0.05 0.075 0.1 0.125 km

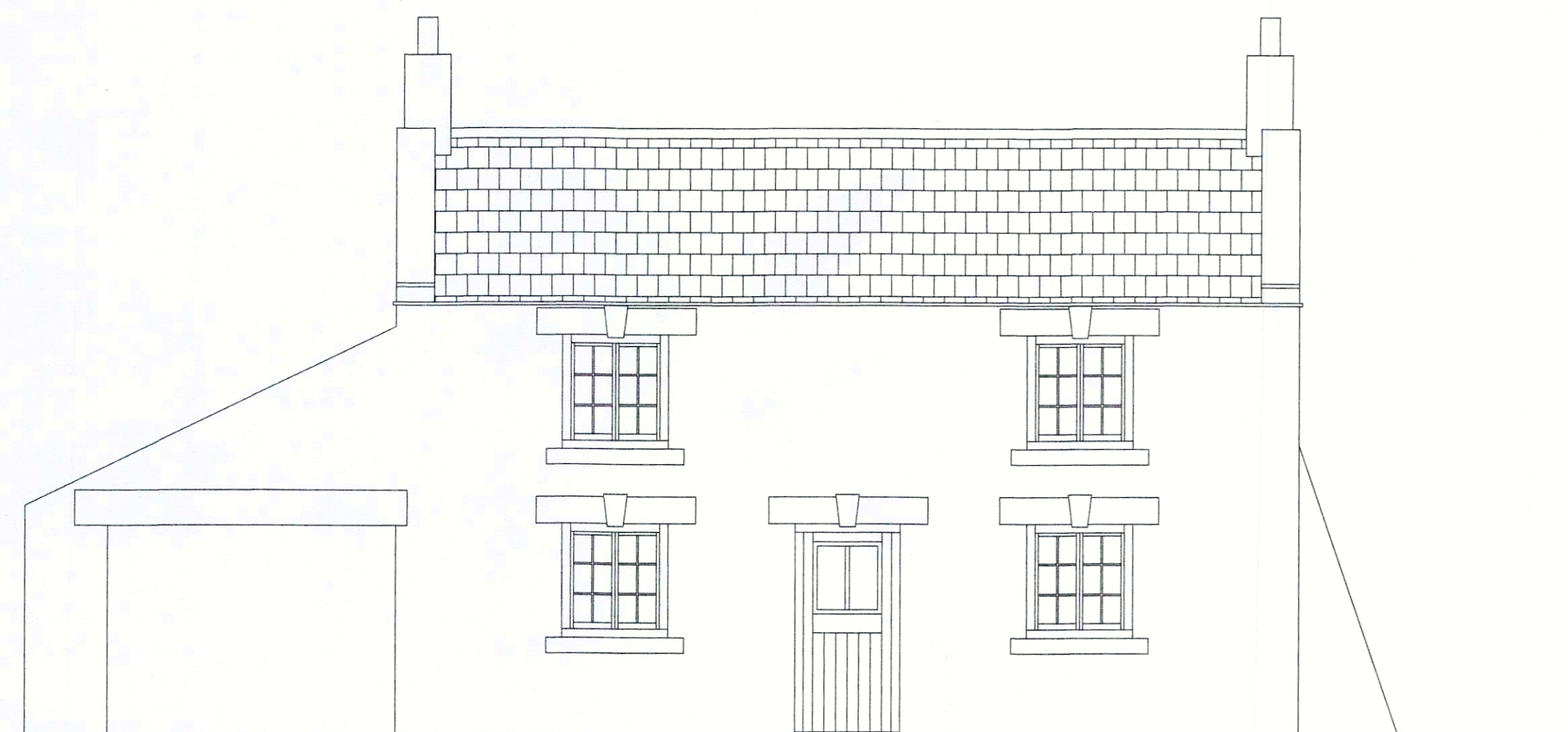


Forestry Commission woodlands have been certified in accordance with the rules of the Forest Stewardship Council.

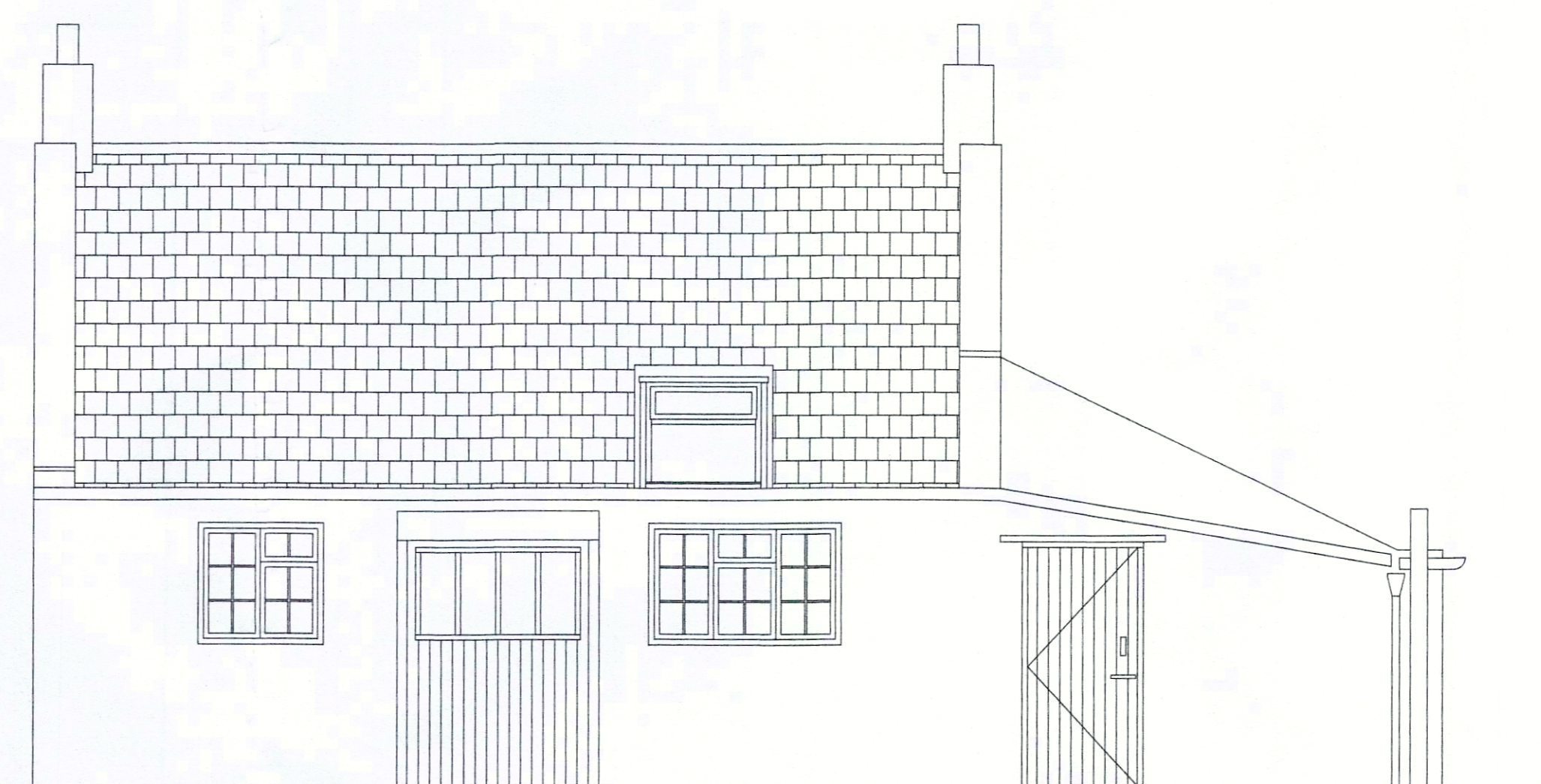


This drawing should not be scaled.  
All dimensions must be checked on site and contractor to report any omissions or errors to the contract administrator

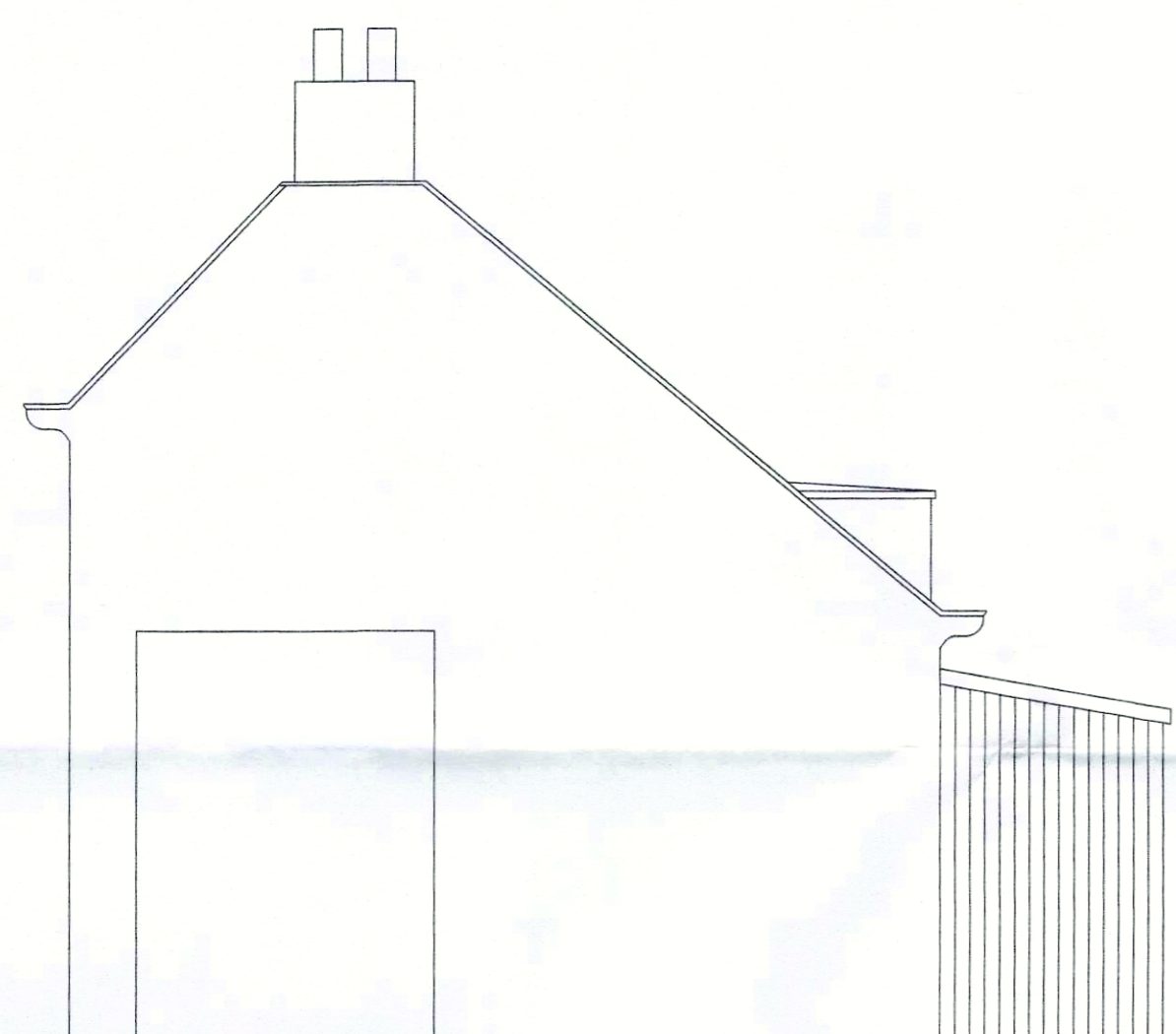
NOTES



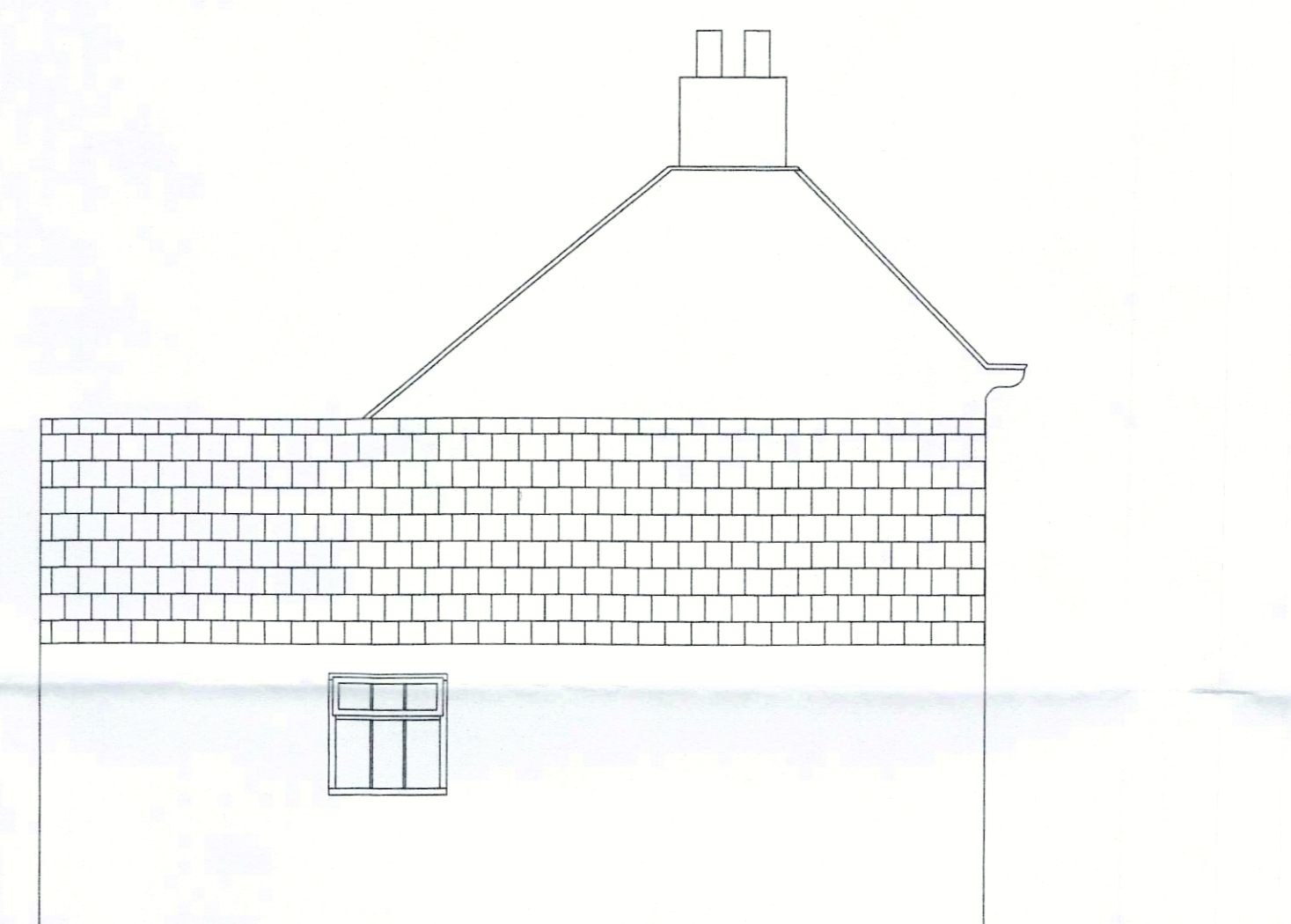
Front Elevation  
Scale 1:50



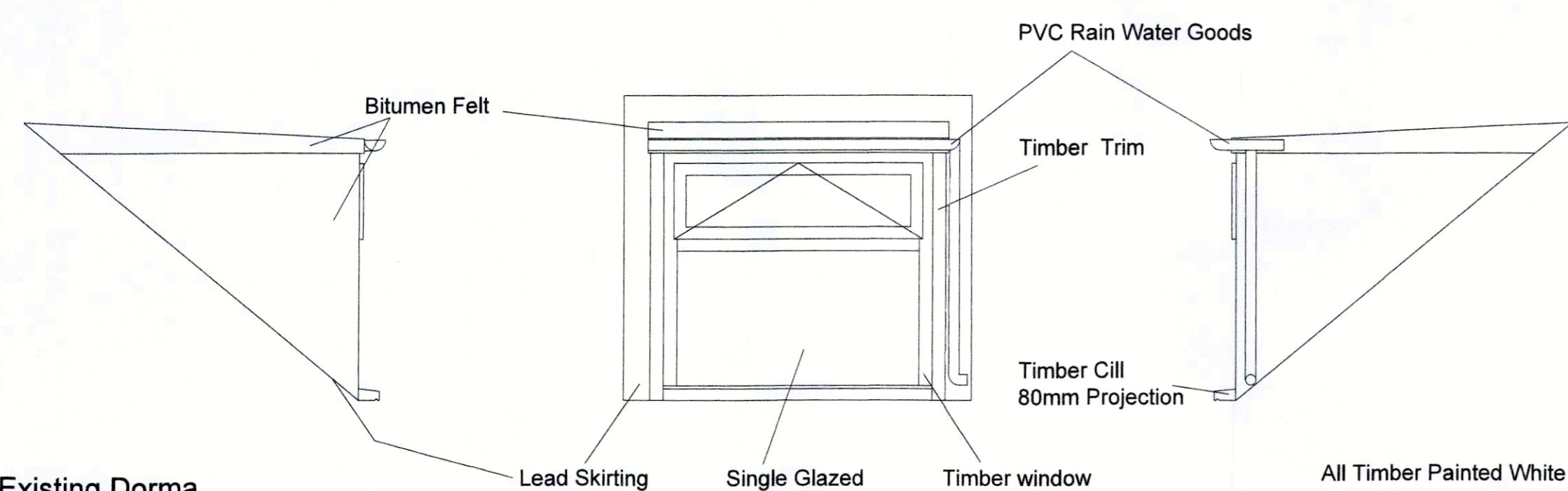
Rear Elevation  
Scale 1:50



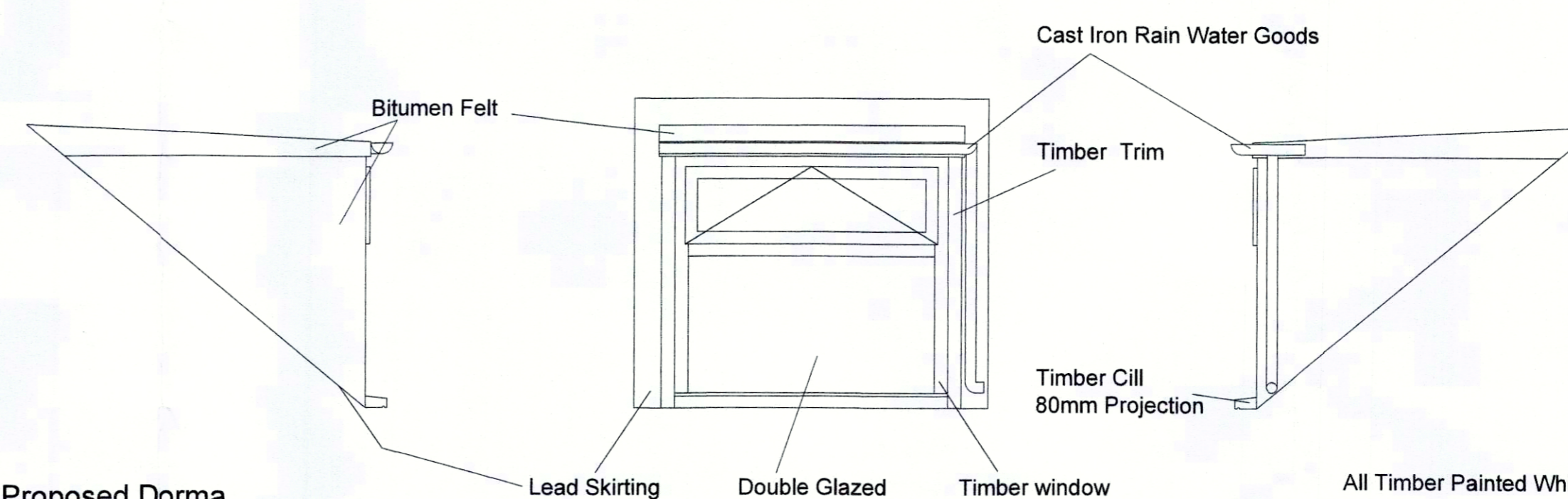
Right Elevation  
Scale 1:50



Left Elevation  
Scale 1:50



Existing Dormer  
Scale 1:20



Proposed Dormer  
Scale 1:20

NYMNP  
23 DEC 2019

Rev	Description	Drm	Chk	Date
-----	-------------	-----	-----	------

Drawing Status: PRELIMINARY  APPROVAL   
INFORMATION  TENDER  CONSTRUCTION



Estates Department  
Forestry England  
Yorkshire Forest District  
Culgarg Road,  
Pickering,  
North Yorkshire,  
YO18 7EL.

Project  
Mount Misery Farm

Content  
Building Elevations and Existing and proposed Dormer

Date 12/2019	Dwg No. FEY231219.01
Drawn AW	Checked XXXXXX
Scales @ A1 As Stated on Drawing	
Rev XXXXXX	