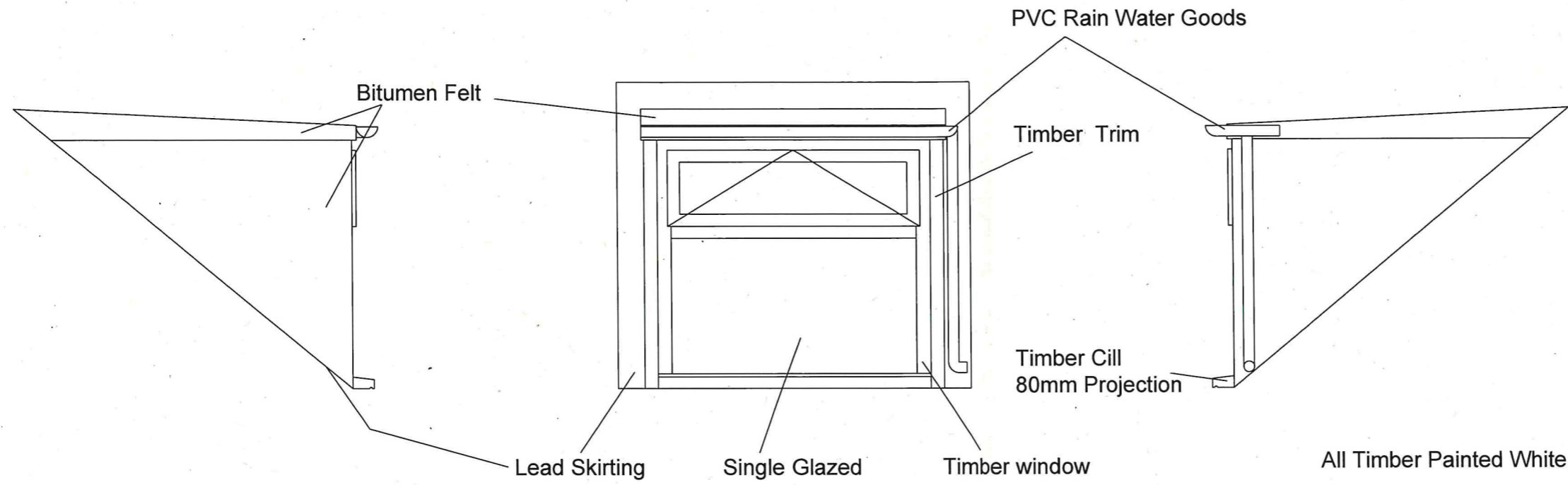
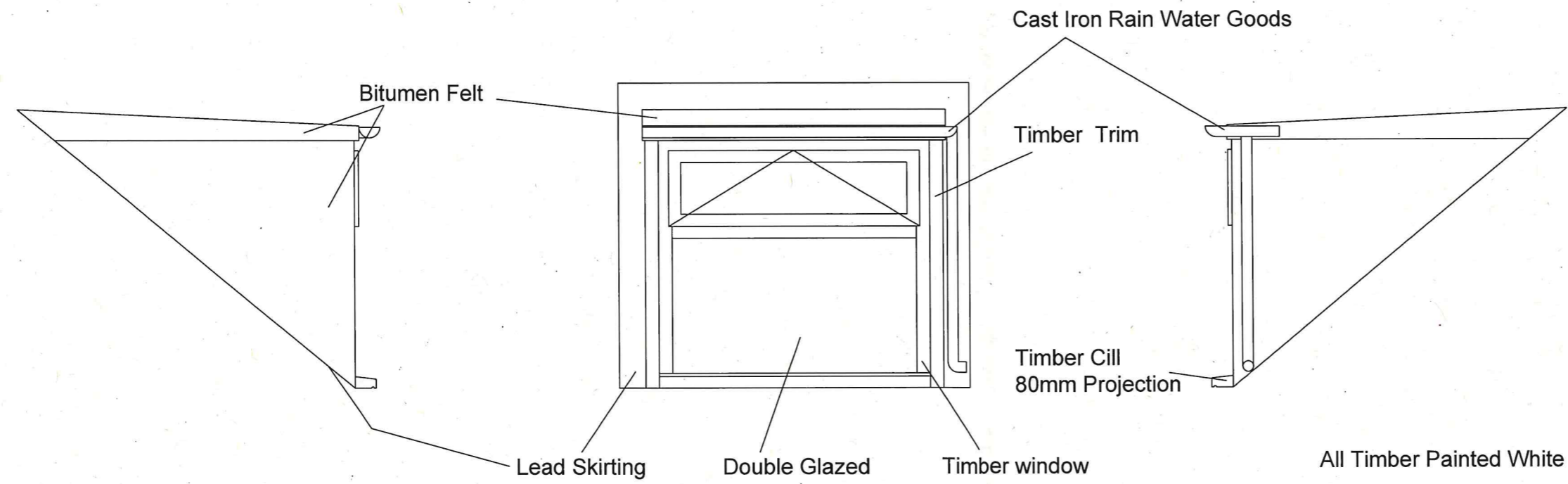


This drawing should not be scaled.
All dimensions must be checked on site and contractor to report any omissions or errors to the contract administrator

NOTES



Existing Dorma



Proposed Dorma



Rev	Description	Drn	Chk	Date
Drawing Status				
PRELIMINARY <input type="checkbox"/>		APPROVAL <input type="checkbox"/>		
INFORMATION <input type="checkbox"/>		TENDER <input type="checkbox"/>		CONSTRUCTION <input type="checkbox"/>



Estates Department
Forestry England
Yorkshire Forest District
Outgang Road,
Pickering,
North Yorkshire,
YO18 7EL.

Project
Mount Misery Farm

Content
Existing and Proposed Dorma Elevations

Date
December 2019

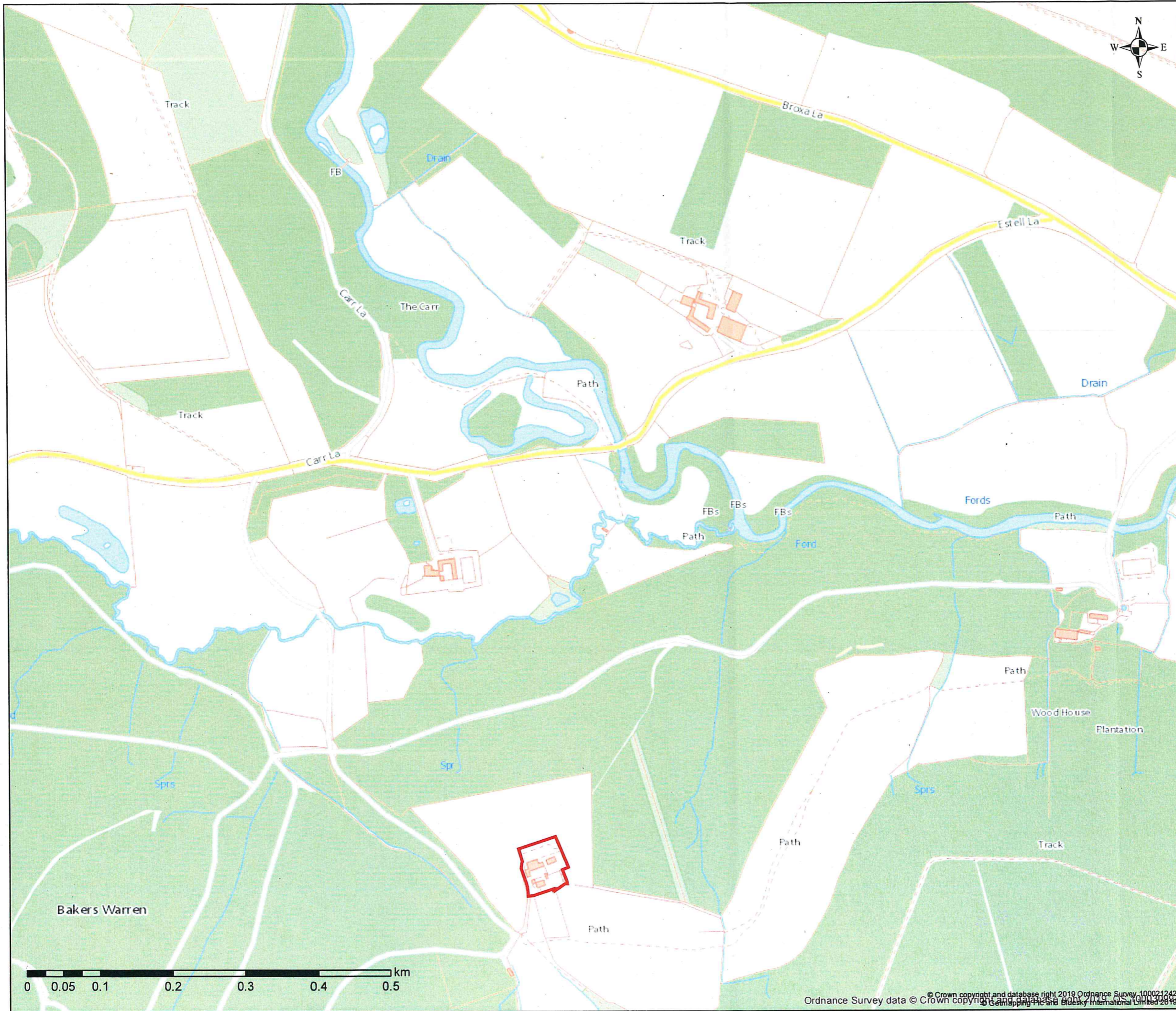
Drg No.
FEY231219.02

Drawn
AW

Checked
XXXXXX

Scales @ A3
1:20

Rev
XXXXXX

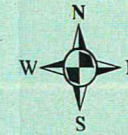
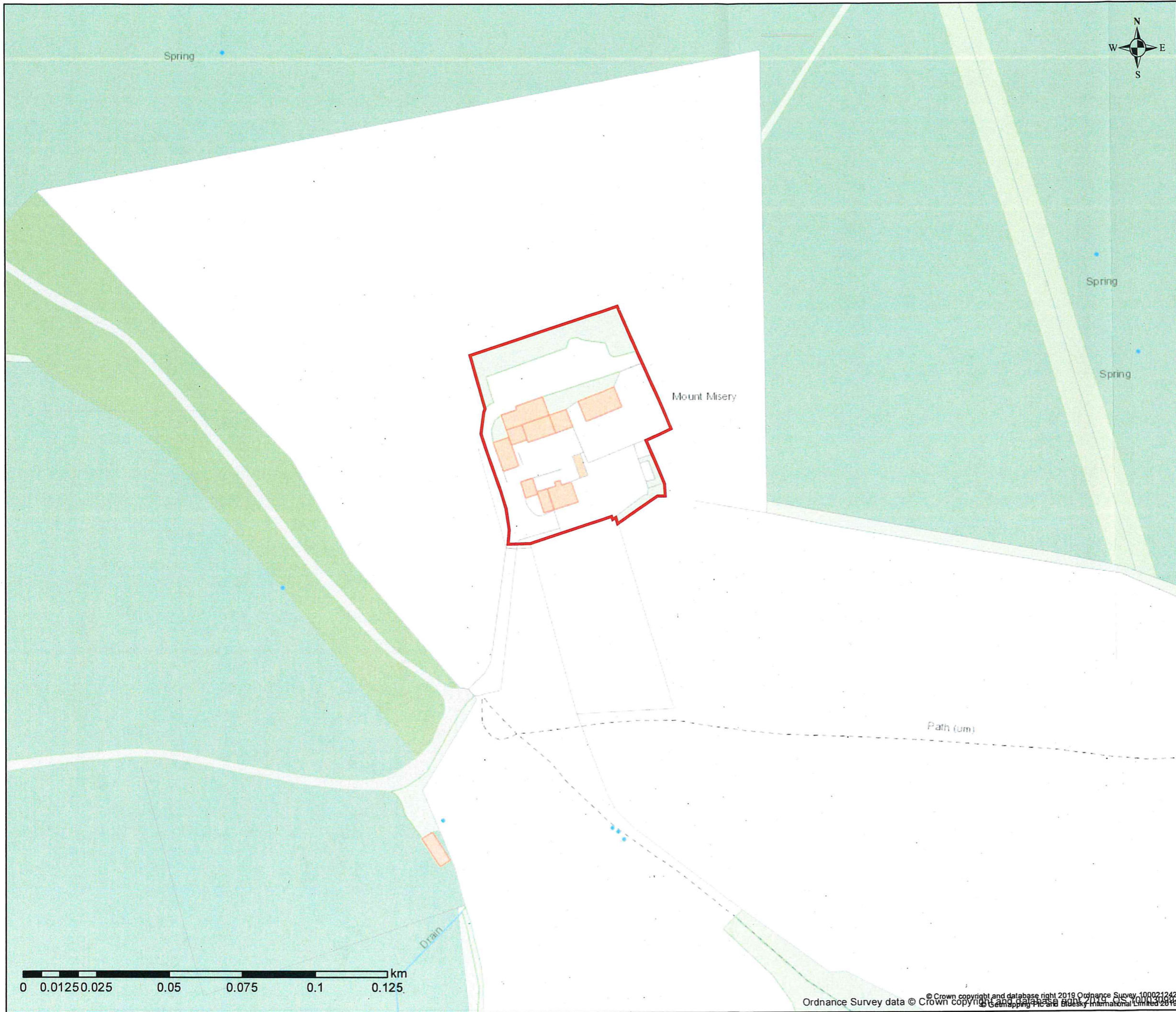


NYMNPA
12 DEC 2019



Forestry Commission woodlands have been certified in accordance with the rules of the Forest Stewardship Council.





Title: **Mount Misery Location Plan**

Date: 6 December 2019

Author: Andrew Warrior

Scale @ A3: 1:1,250

NYMNP
12 DEC 2019



Forestry Commission woodlands have been certified in accordance with the rules of the Forest Stewardship Council.



This drawing should not be scaled.
All dimensions must be checked on site and contractor to report any omissions or errors to the contract administrator

NOTES

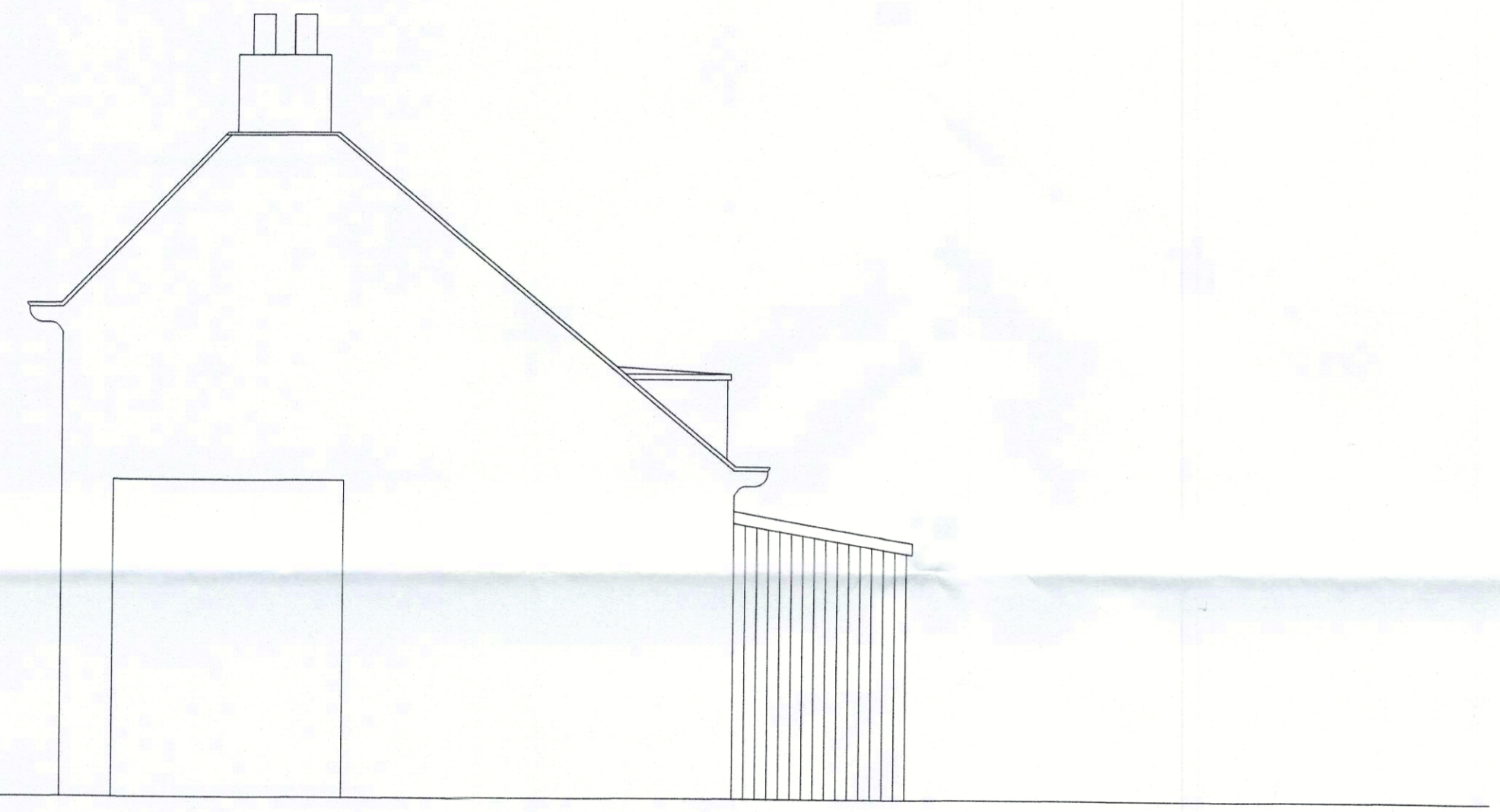
NYMNPA
23 DEC 2019



Front Elevation
Scale 1:50



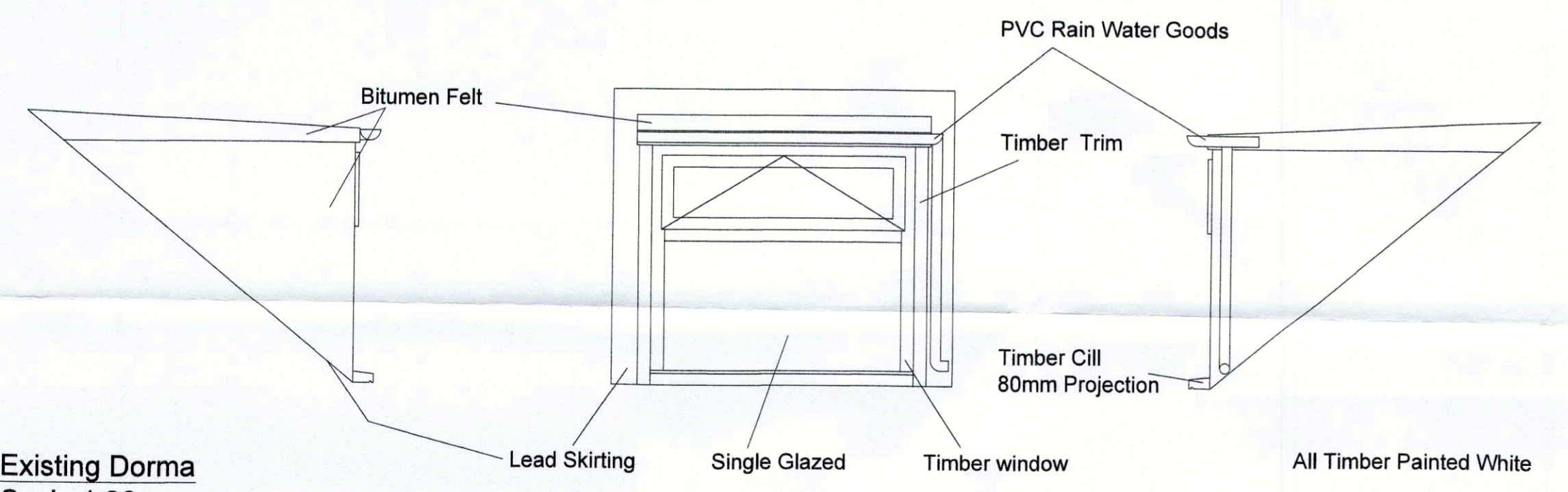
Rear Elevation
Scale 1:50



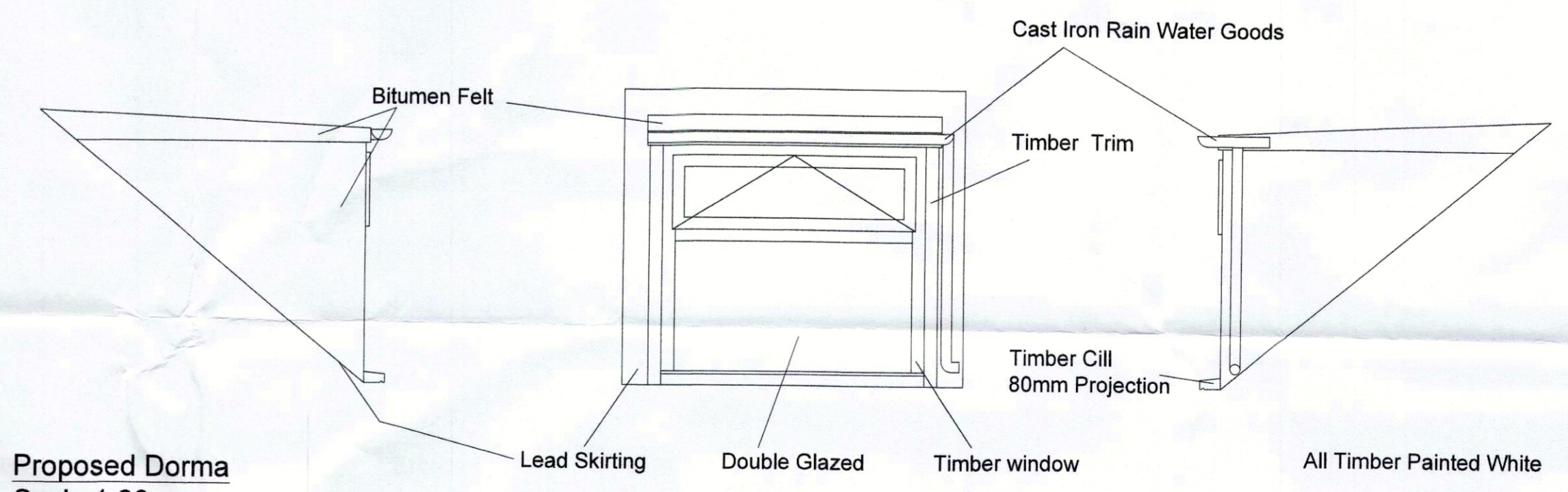
Right Elevation
Scale 1:50



Left Elevation
Scale 1:50



Existing Dorma
Scale 1:20



Proposed Dorma
Scale 1:20

Rev	Description	Dm	Chk	Date
01	PRELIMINARY			
02	APPROVAL			
03	INFORMATION			
04	TENDER			
05	CONSTRUCTION			



Estates Department
Forestry England
Yorkshire Forest District
Cutgang Road,
Pickering,
North Yorkshire,
YO18 7EL.

Project
Mount Misery Farm

Content
Building Elevations and Existing and proposed Dorma

Date 12/2019	Drawn AW	Checked XXXXXX	Dwg No. FEY231219.01	Rev XXXXXX
Scales @ A1 As Stated on Drawing				