

NYMNPA

31/01/2020

From: J RICHARDSON
Sent: 31 January 2020 08:36
To: Megan O'Mara
Subject: Re: NYM/2019/0280/FL

Hi Megan,

Please find amended drawing with references to the items discussed.
In particular the latticework dimensions, window colour and confirmation of no trickle vents.

Regards
Sandra

On Tuesday, January 28, 2020, 01:53:26 PM GMT, Megan O'Mara
<m.omara@northyorkmoors.org.uk> wrote:

Hi Sandra

I wonder if you could give me a call when you are able to - I have tried calling you but have been unable to get through.

We have had a changeover of both Building Conservation Officers and Planning Officers on this case due to staff changes and so I am seeking some clarification surrounding certain aspects of the application.

I look forward to hearing from you.

Kind regards

Megan

Megan O'Mara
Planning Officer, Development Management

North York Moors National Park Authority
The Old Vicarage, Bondgate, Helmsley, YORK, YO62 5BP
t: 01439 772700
e: planning@northyorkmoors.org.uk
w: www.northyorkmoors.org.uk

Normal Working Hours:
Mon to Fri - 9:00am to 5pm

-----Original Message-----

From: Jim Richardson [
Sent: 28 January 2020 09:22
To: Megan O'Mara
Subject: Re: NYM/2019/0280/FL

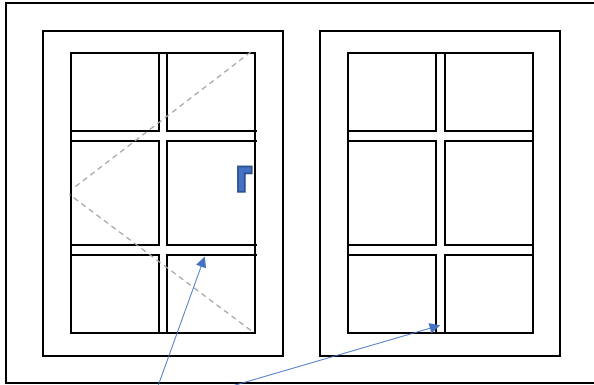
Hi Megan,
Just enquiring if there has been any progress on the planning application for window replacement at Lockett cottage.
It has been a couple of months now since I submitted the cross sectional drawings as requested.
Regards
Mrs Sandra Richardson



CONFIDENTIALITY: The contents of this message are the views of the author, not necessarily the views of the North York Moors National Park Authority. This is a private message intended for the named addressee(s) only. Its contents may be confidential.
If you have received this message in error please reply to say so and then delete the message. Any use, copying, disclosure or distribution by anyone other than the addressee is forbidden.
www.northyorkmoors.org.uk

This email has been scanned for email related threats and delivered safely by Mimecast.
For more information please visit <http://www.mimecast.com>

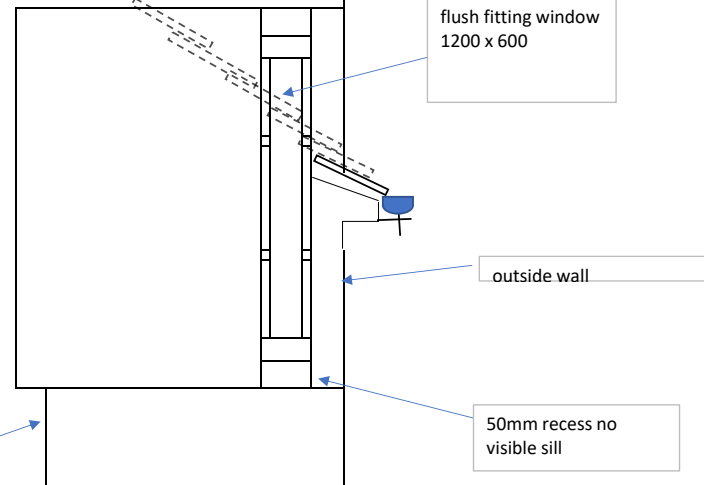
Bedroom 1 window (upper front left)



victorian bar lattice work 18mm width

inner property wall

Bedroom 2 window cross sectional view

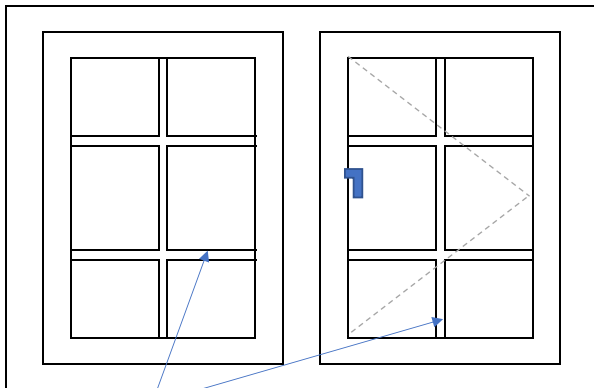


flush fitting window 1200 x 600

outside wall

50mm recess no visible sill

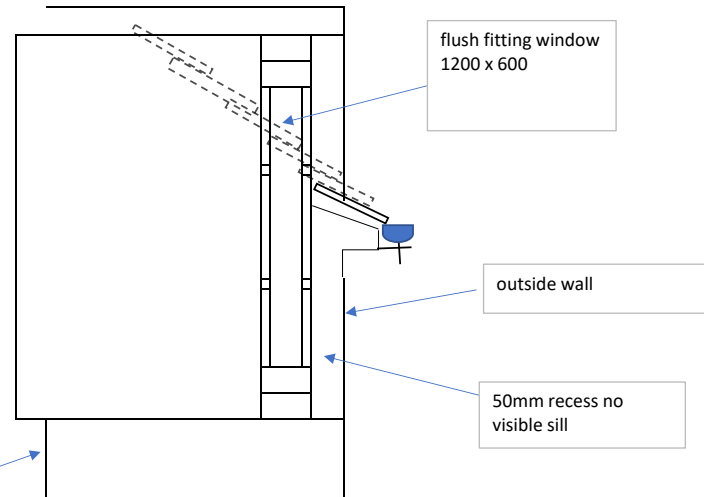
Bedroom 2 window (upper front right)



victorian bar lattice work 18mm width

inner property wall

Bedroom 2 window cross sectional view



flush fitting window 1200 x 600

outside wall

50mm recess no visible sill

**Flush fitting - external colour cream
internal colour white
No trickle vents**