

AMENDED

NYMNPA

04/02/2020

---

**From:** Warrior, Andrew  
**Sent:** 04 February 2020 11:49  
**To:** Kelsey Blain  
**Subject:** RE: Listed Building Consent and Planning Application for Mount Misery Farm, Hackness

Hello Kelsey  
Please find attached the detailed drawings as requested.  
Thanks Andrew

Andrew Warrior ICIOB  
Building Surveyor (Yorkshire)  
Forestry England  
Yorkshire Forest District  
Outgang Road, Pickering,  
North Yorkshire, YO18 7EL.

Email:  
Direct:

---

**From:** Kelsey Blain [mailto:k.blain@northyorkmoors.org.uk]  
**Sent:** 28 January 2020 10:46  
**To:** Warrior, Andrew  
**Subject:** Listed Building Consent and Planning Application for Mount Misery Farm, Hackness

Dear Mr Warrior

Please find attached a letter relating to the above matter.

Yours sincerely

*K. Blain*

Kelsey Blain  
Planning Assistant

North York Moors National Park Authority  
The Old Vicarage  
Bondgate

Helmsley  
York  
YO62 5BP

Tel: 01439 772700  
www.northyorkmoors.org.uk

NYMNPA

04/02/2020

AMENDED



CONFIDENTIALITY: The contents of this message are the views of the author, not necessarily the views of the North York Moors National Park Authority. This is a private message intended for the named addressee(s) only. Its contents may be confidential. If you have received this message in error please reply to say so and then delete the message. Any use, copying, disclosure or distribution by anyone other than the addressee is forbidden.

[www.northyorkmoors.org.uk](http://www.northyorkmoors.org.uk)

---

This email has been scanned for email related threats and delivered safely by Mimecast.

For more information please visit <http://www.mimecast.com>

---

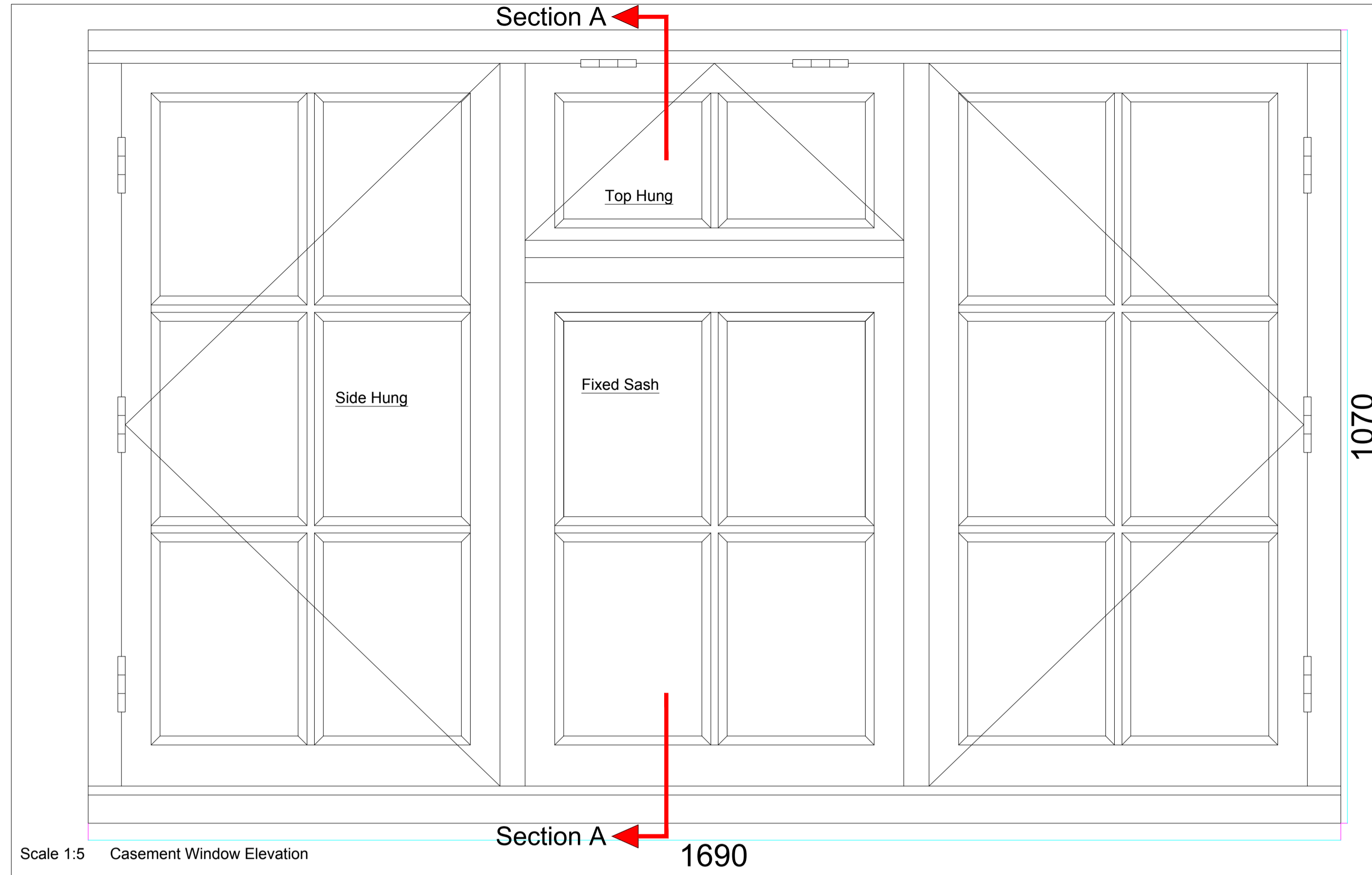
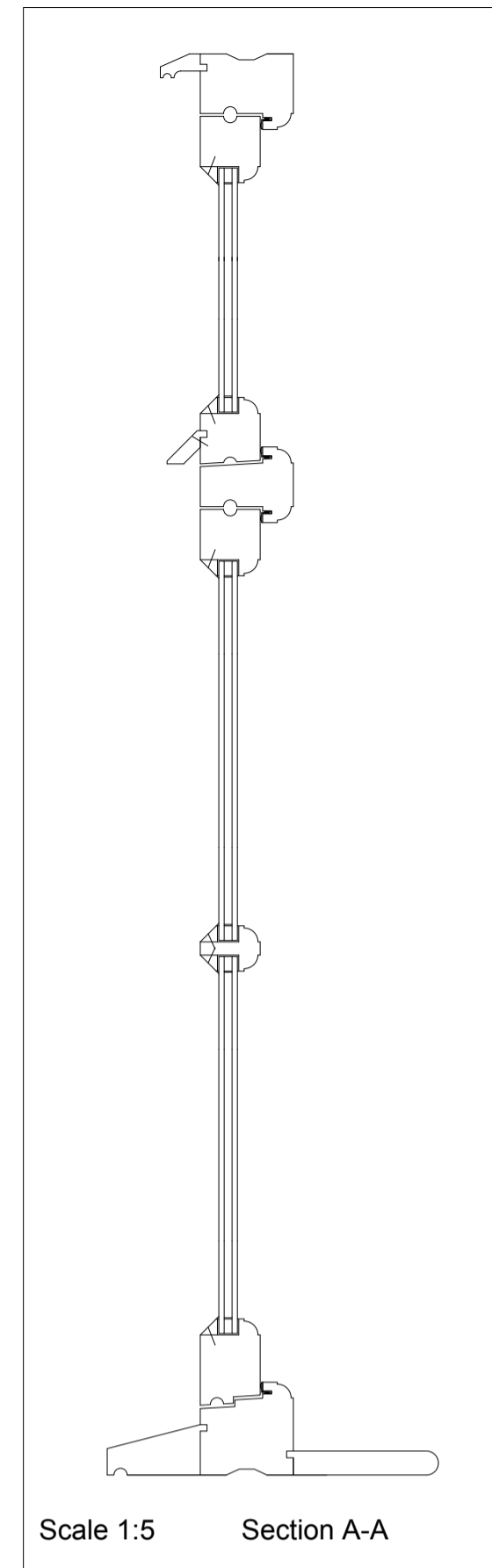
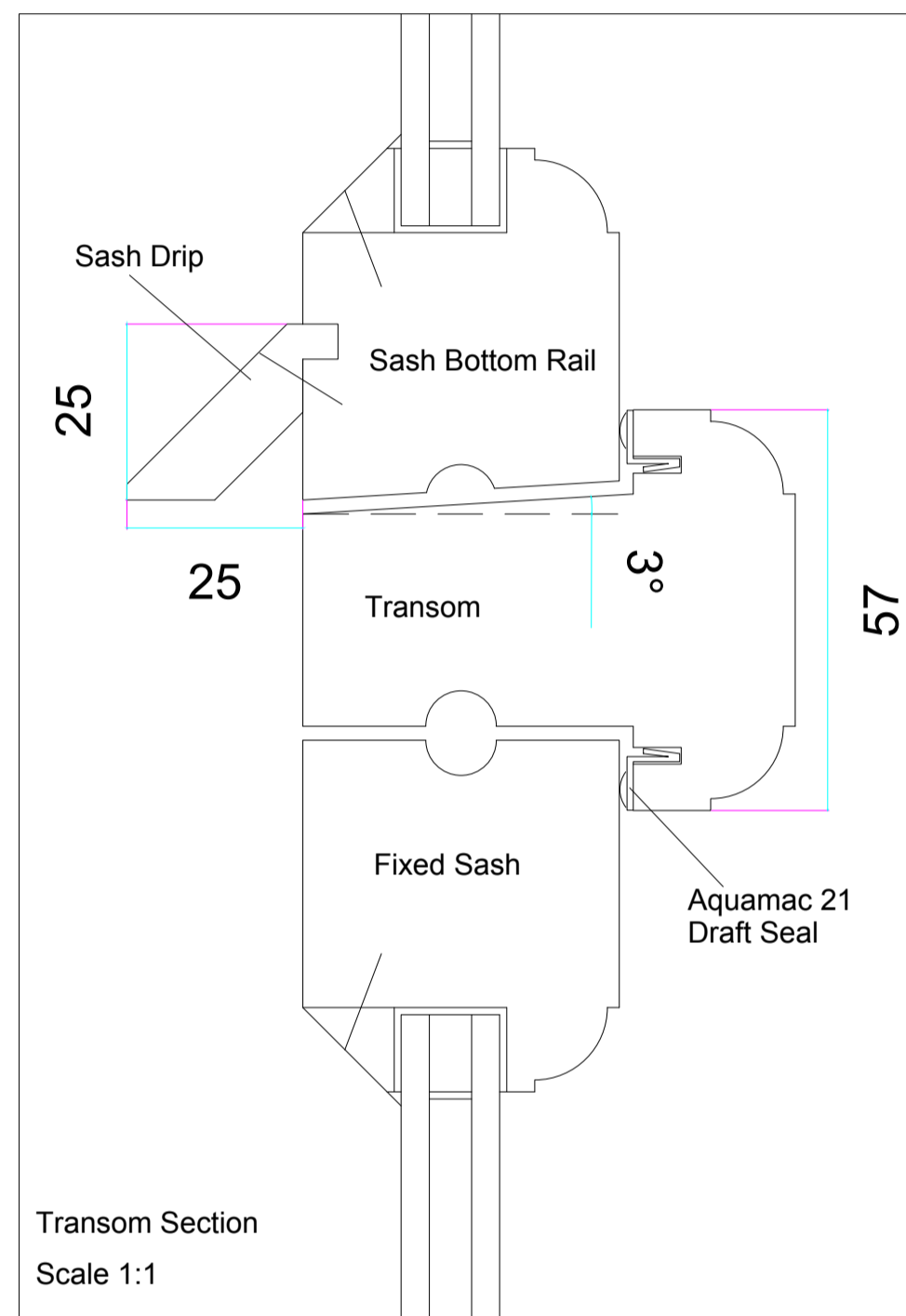
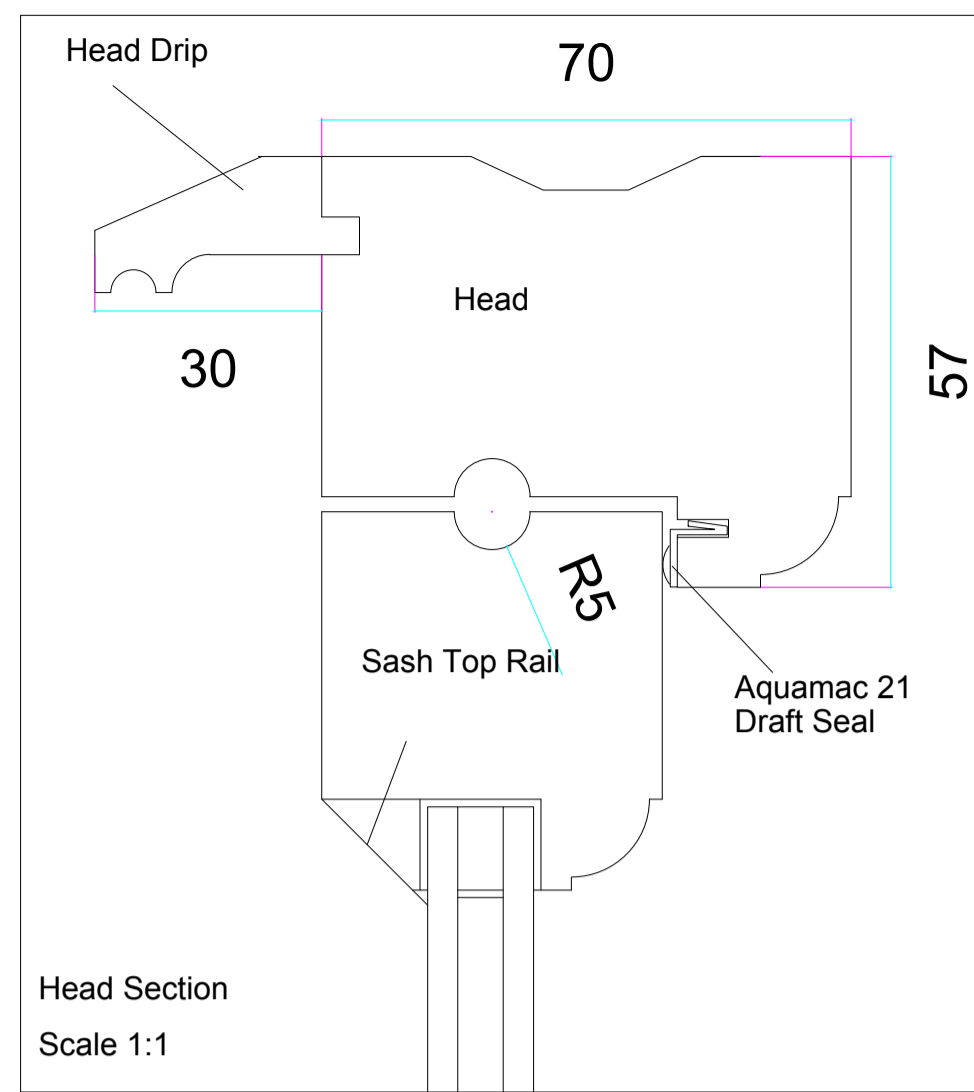
#### Disclaimer

The information contained in this communication from the sender is confidential. It is intended solely for use by the recipient and others authorized to receive it. If you are not the recipient, you are hereby notified that any disclosure, copying, distribution or taking action in relation of the contents of this information is strictly prohibited and may be unlawful.

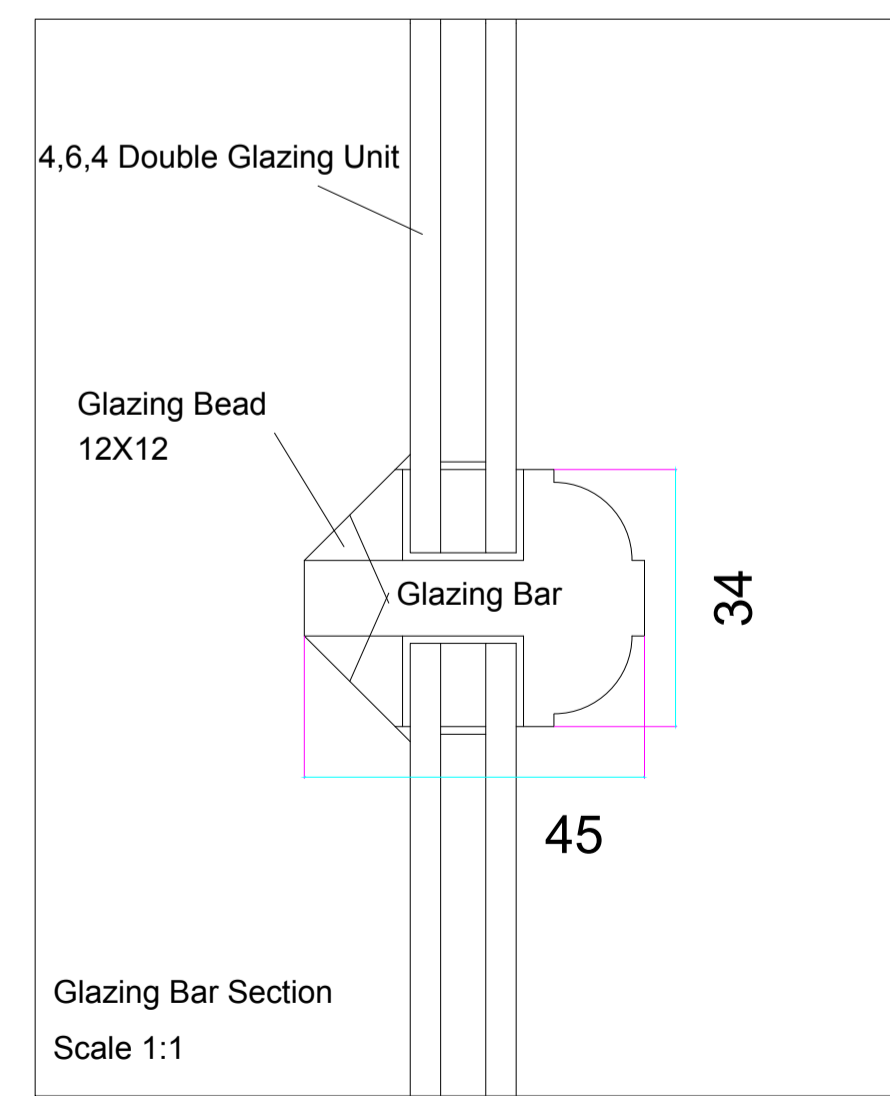
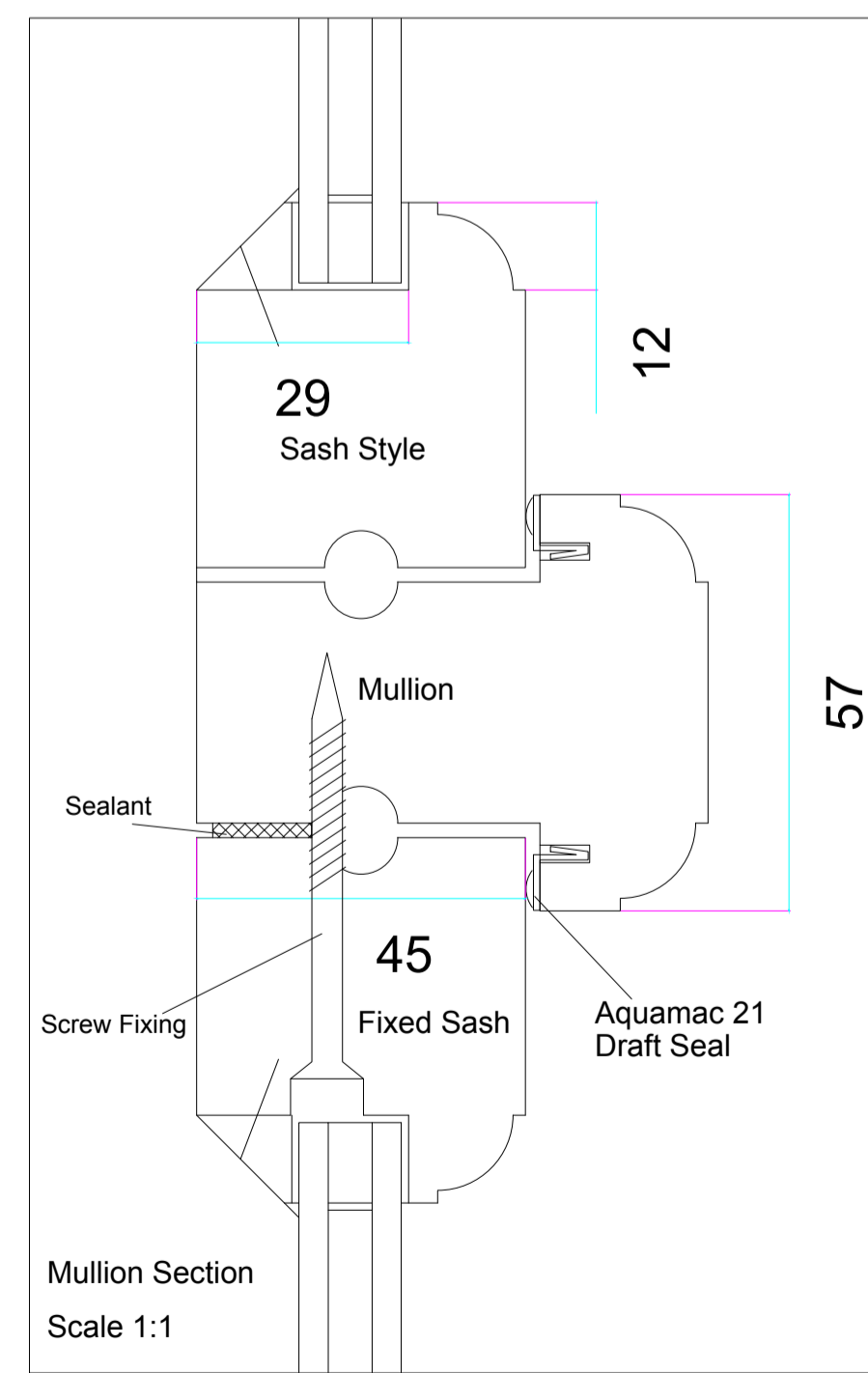
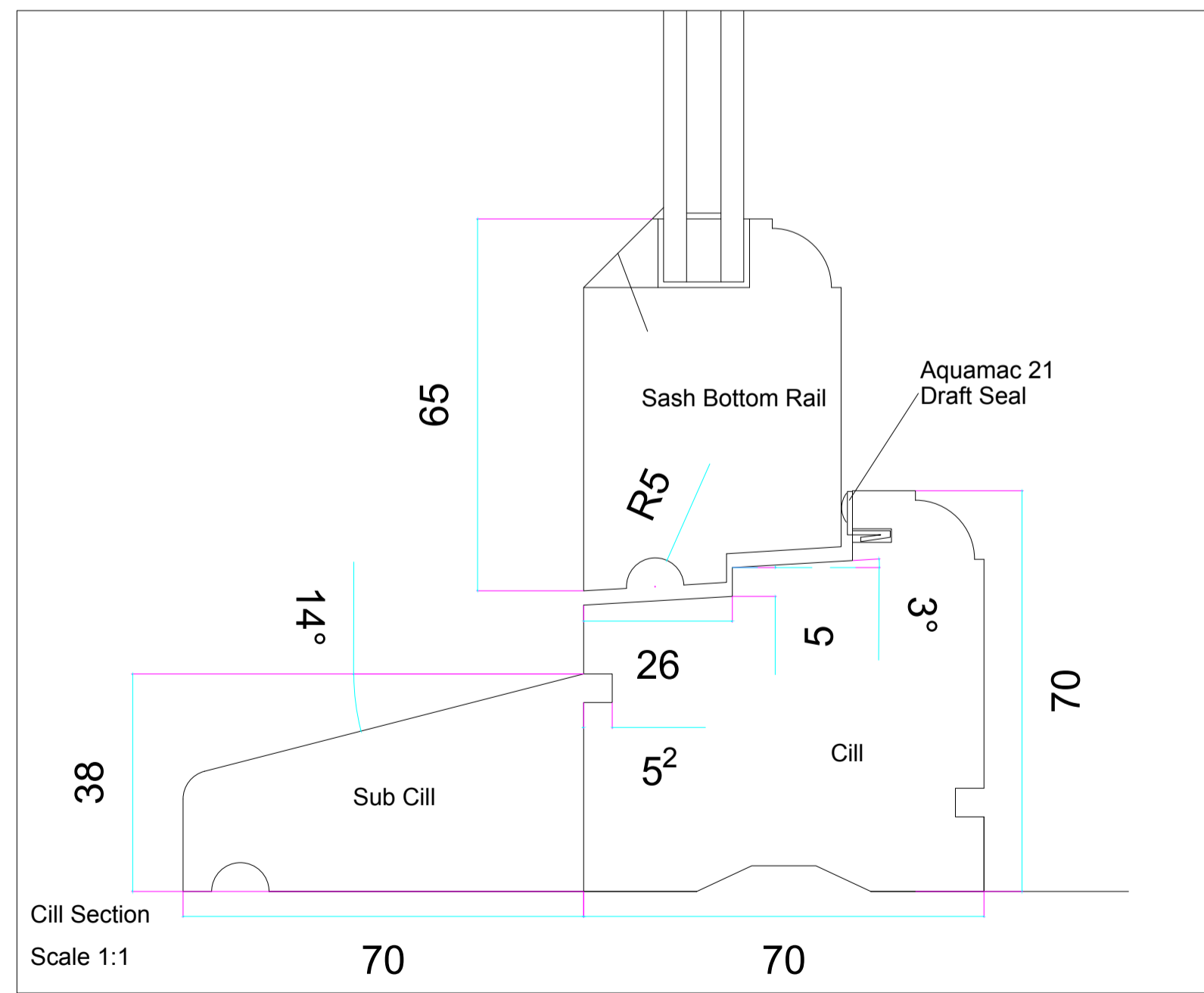
This email has been scanned for viruses and malware, and may have been automatically archived by **Mimecast Ltd**, an innovator in Software as a Service (SaaS) for business. Providing a **safer** and **more useful** place for your human generated data. Specializing in; Security, archiving and compliance. To find out more [Click Here](#).

This drawing should not be scaled.  
All dimensions must be checked on site and contractor to report any omissions or errors to the contract administrator

NOTES



Scale 1:1



AMENDED

NYMNP

04/02/2020

Rev	Description	Dn	Chk	Date
Drawing Status	PRELIMINARY <input type="checkbox"/>	APPROVAL <input type="checkbox"/>		
	INFORMATION <input type="checkbox"/>	TENDER <input type="checkbox"/>	CONSTRUCTION <input type="checkbox"/>	

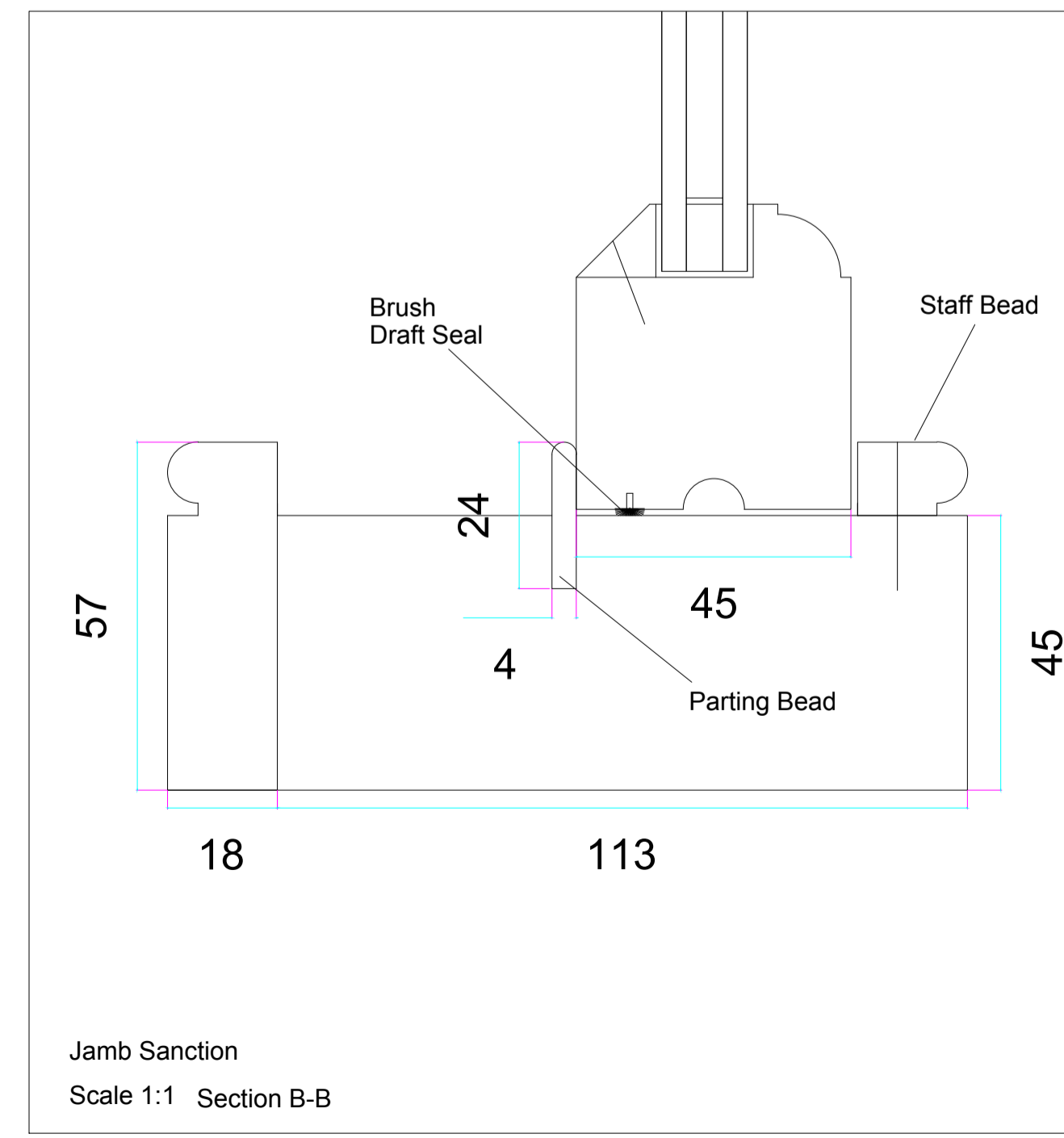
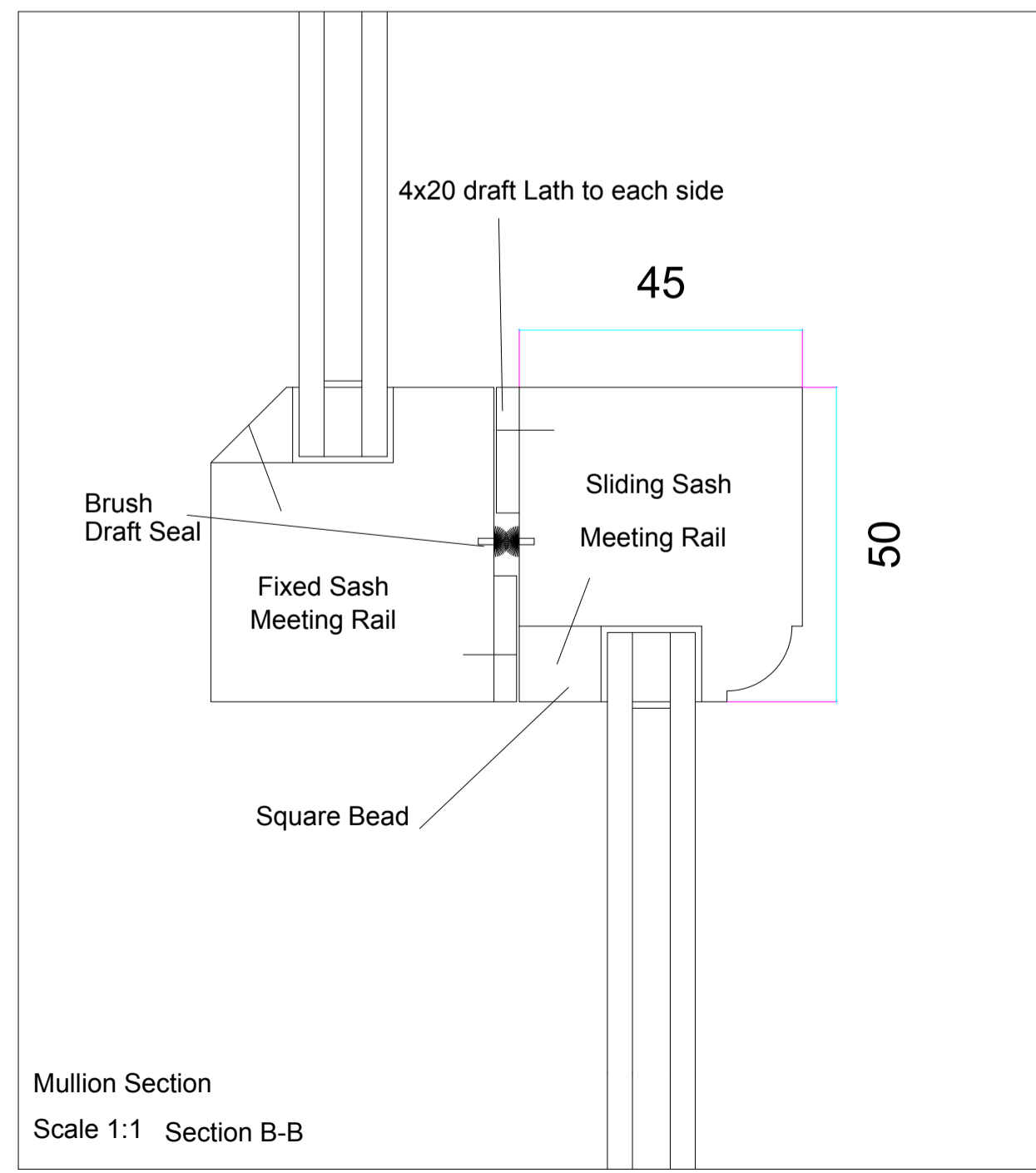
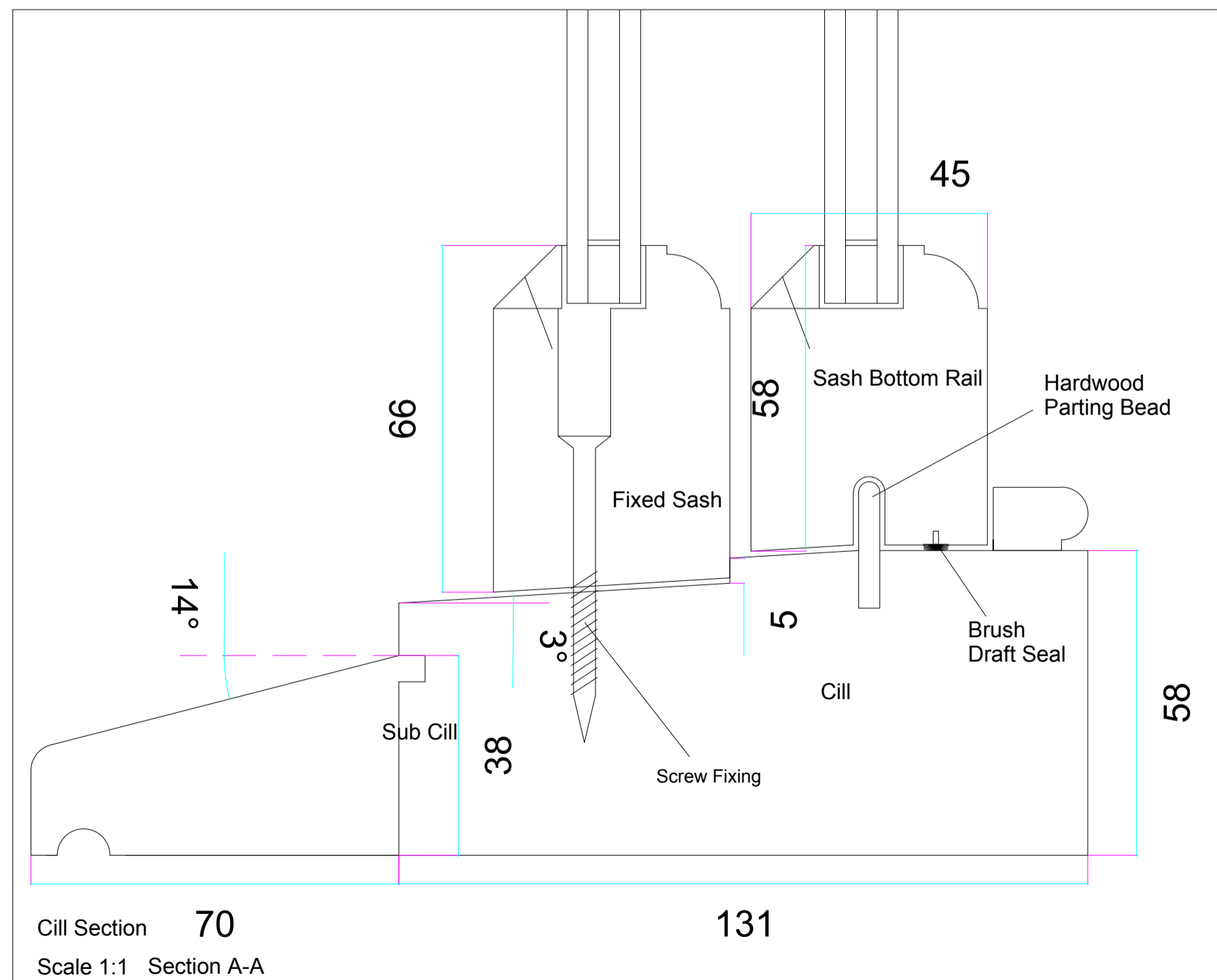
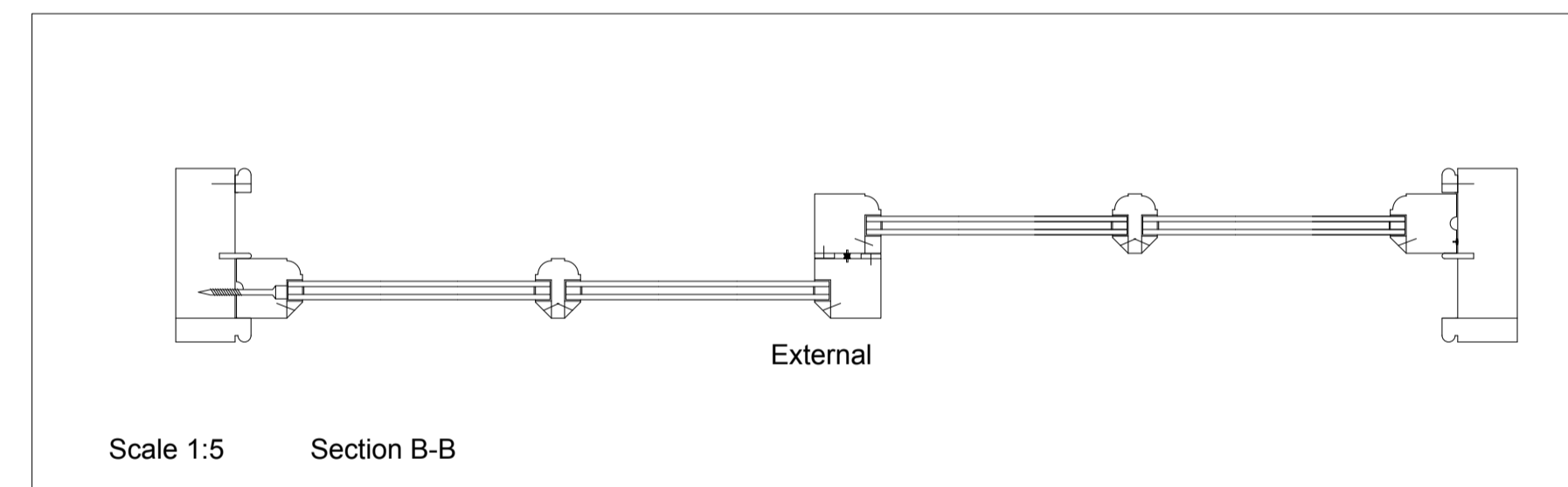
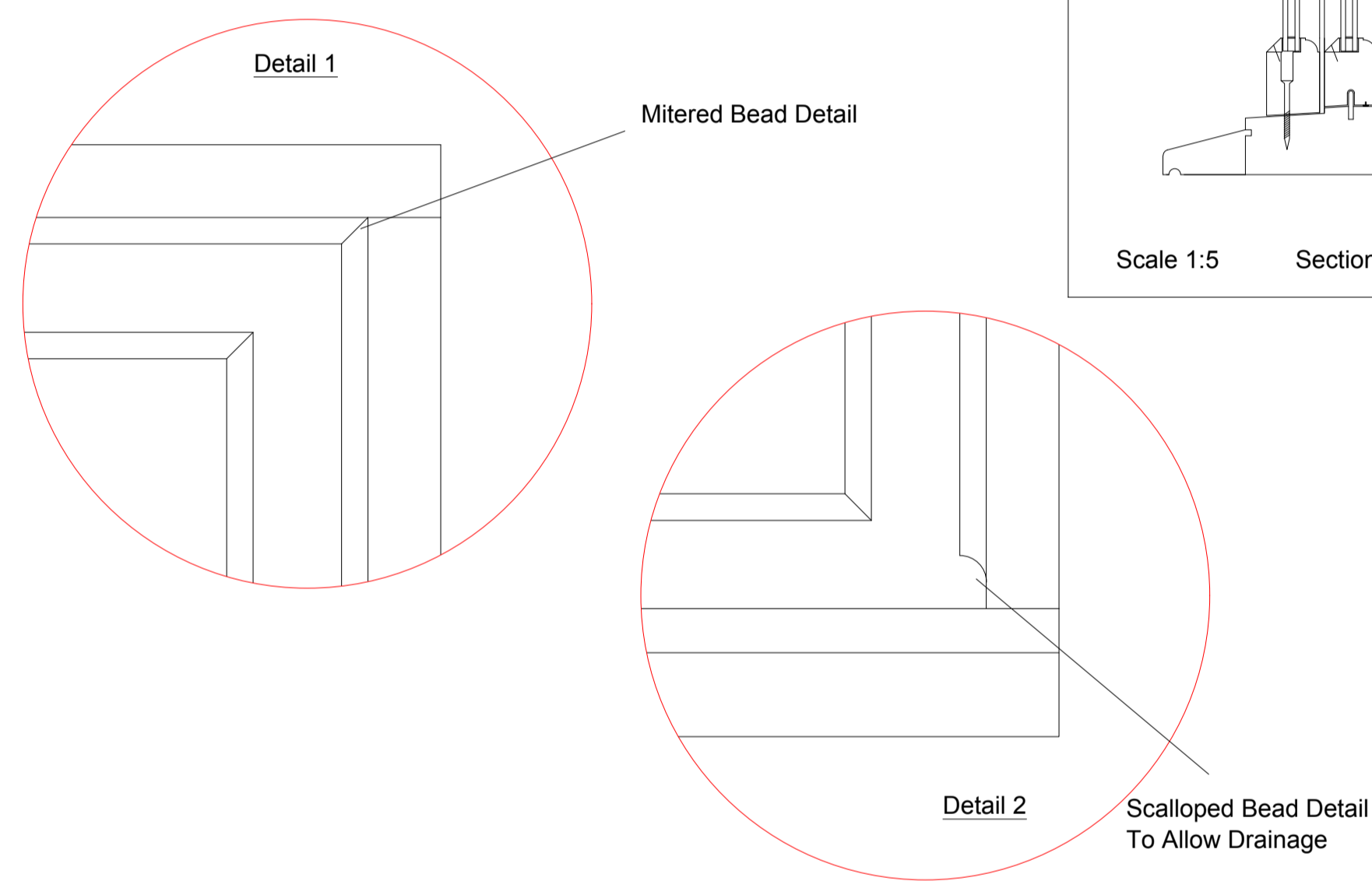
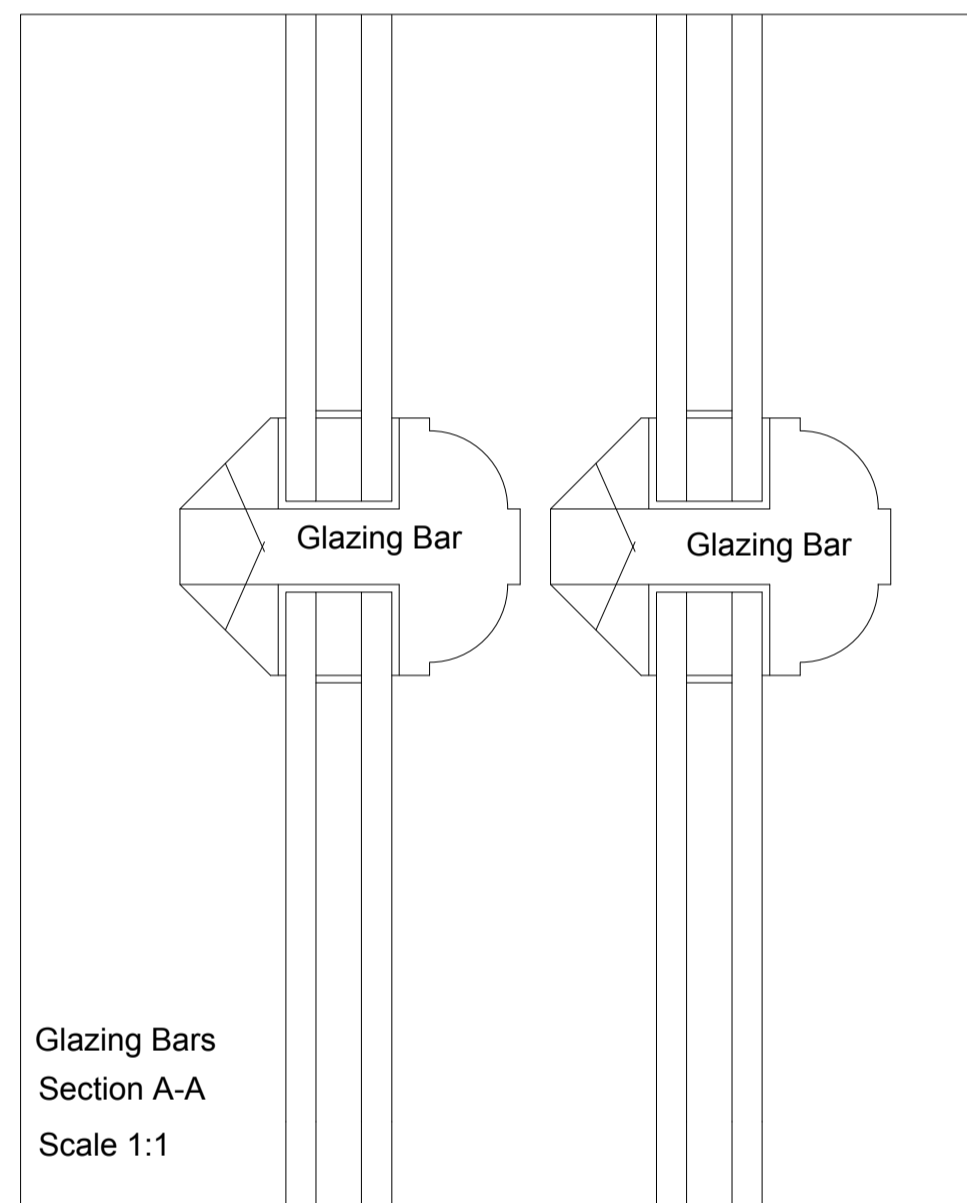
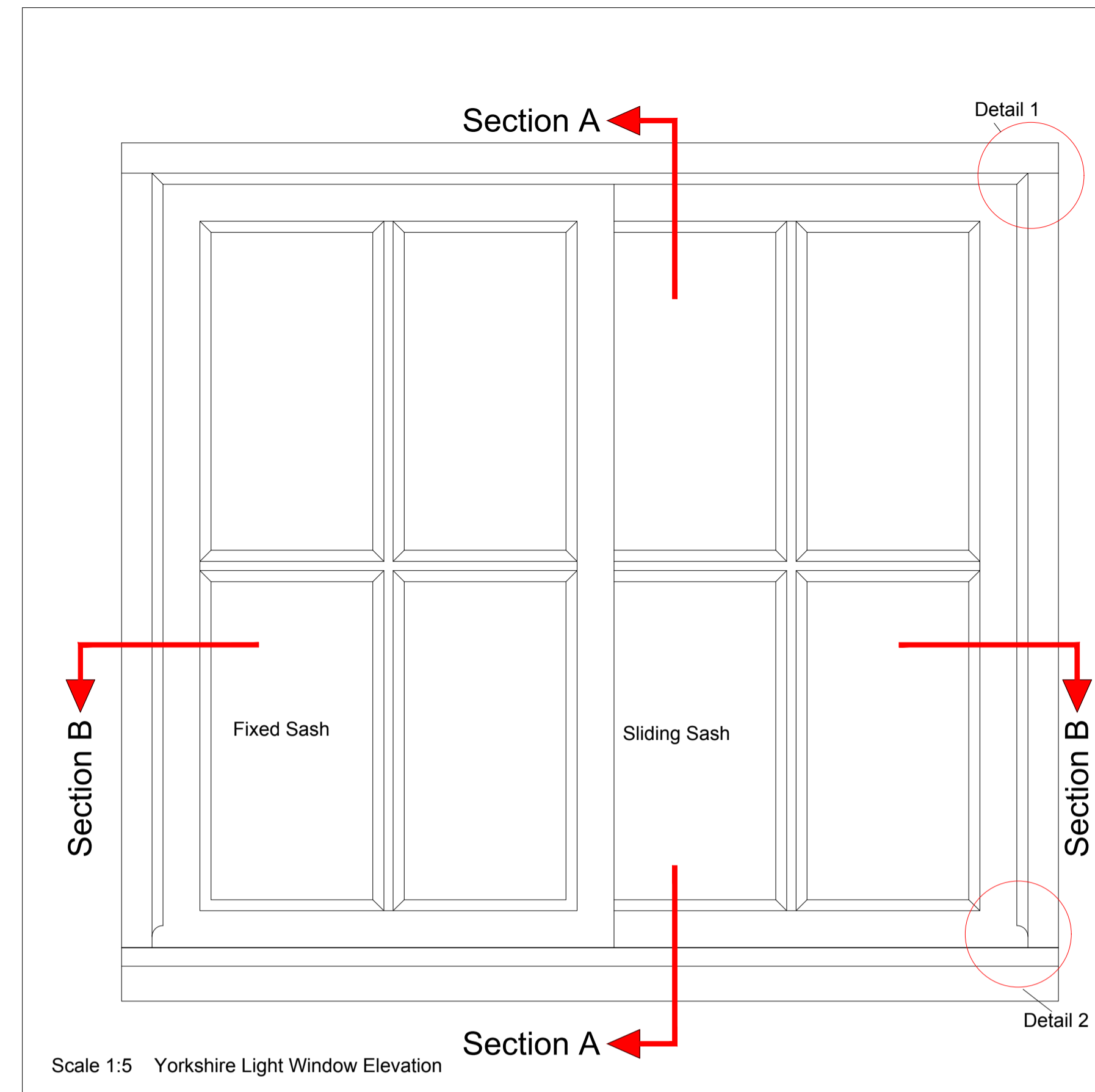
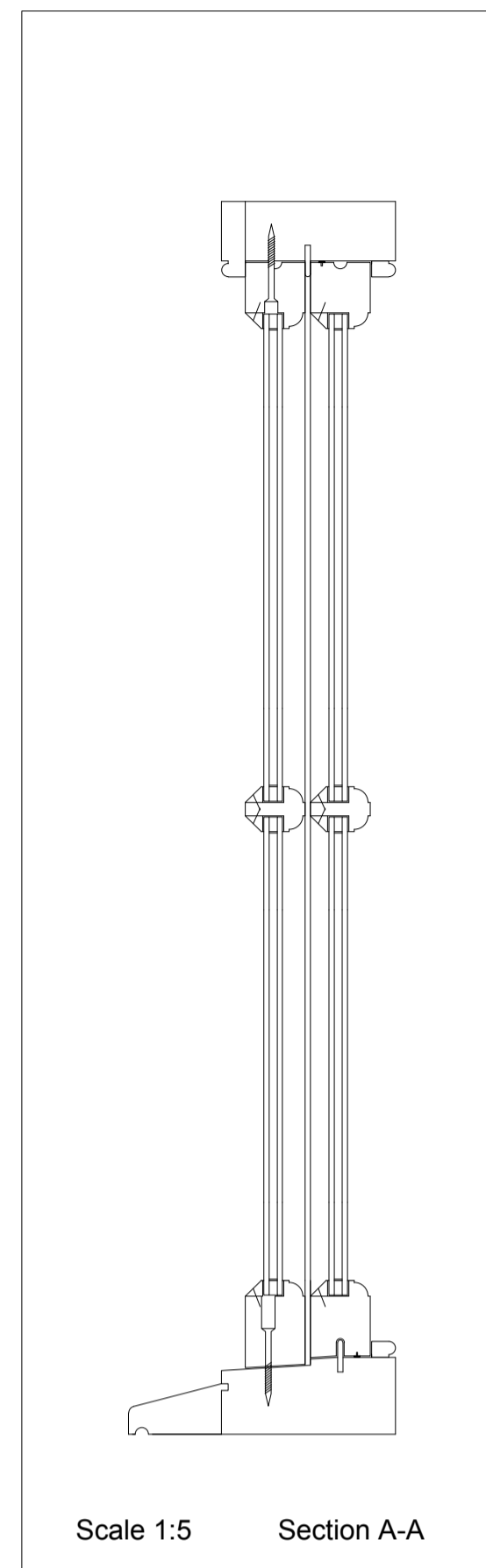
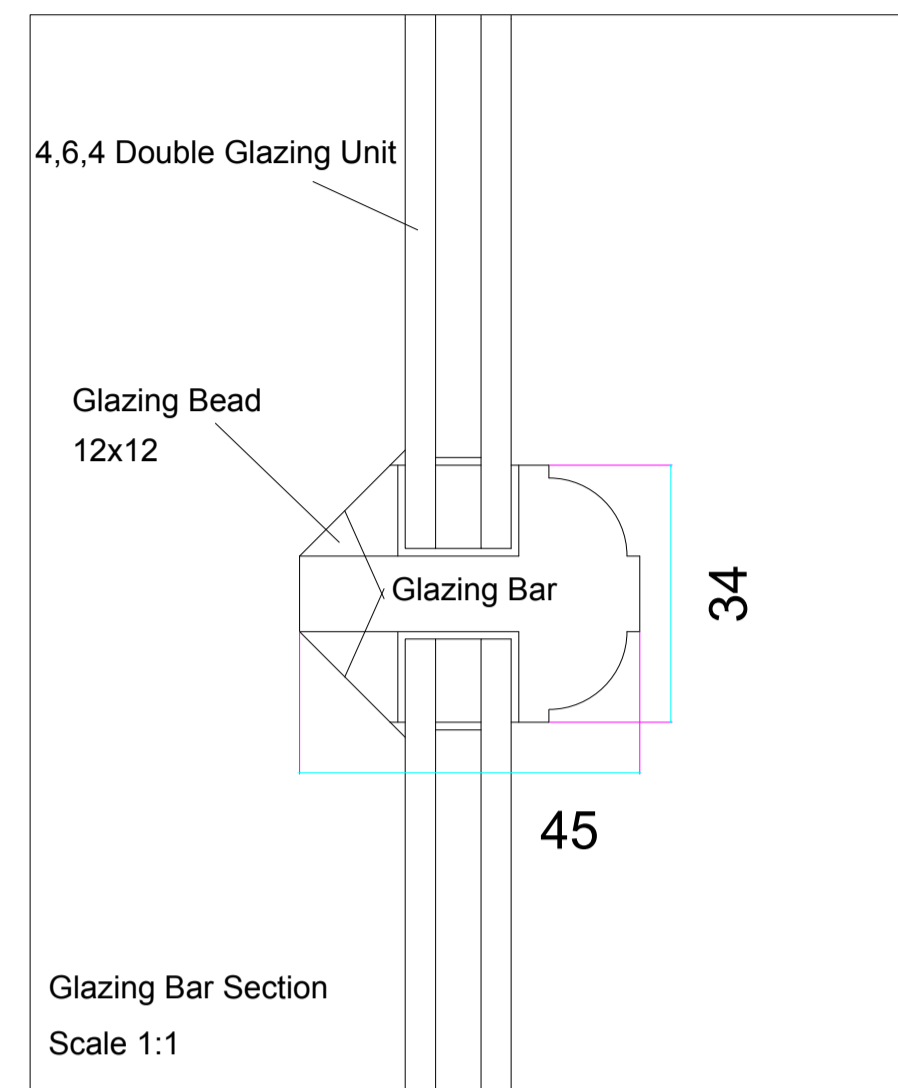
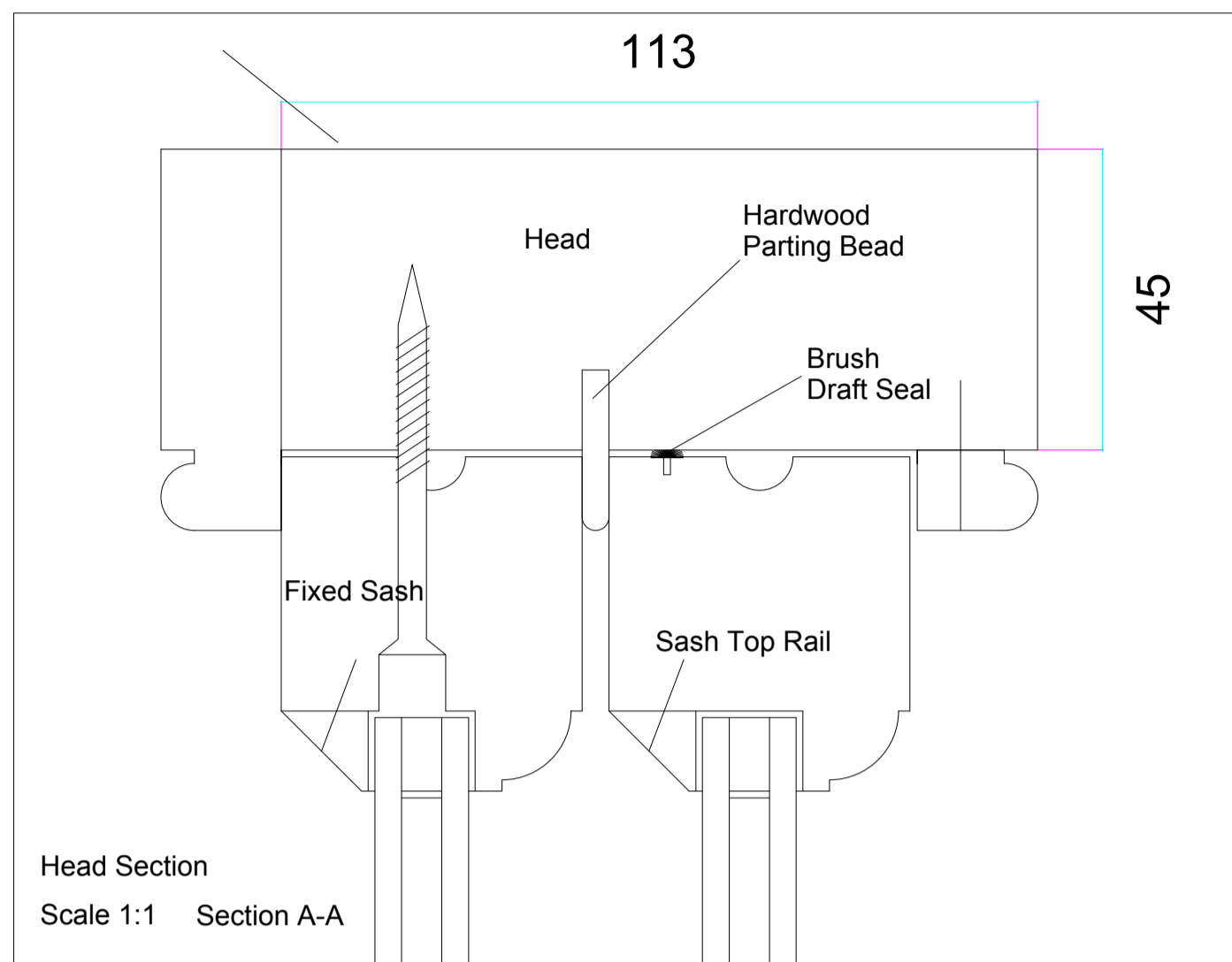


Estates Department  
Forestry England  
Yorkshire Forest District  
Ouggang Road,  
Pickering,  
North Yorkshire,  
YO18 7EL.

Project  
Mount Misery Farm

Content  
Casement Window Details and Sections

Date	02/2020	Drwg No.	FEY231219.03
Drawn	AW	Checked	XXXXXX
		Scales @ A1	As Stated on Drawing
		Rev	XXXXXX



AMENDED  
NYMNP  
04/02/2020

Rev	Description	Dn	Chk	Date
02/2020	FEY231219.04			

Drawing Status: PRELIMINARY  APPROVAL   
INFORMATION  TENDER  CONSTRUCTION



Estates Department  
Forestry England  
Yorkshire Forest District  
Ouggang Road,  
Pickering,  
North Yorkshire,  
YO18 7EL.

Project: Mount Misery Farm  
Content: Yorkshire Light Window Details and Sections  
Date: 02/2020  
Drawn: AW  
Checked: XXXXXX  
Scales: @ A1  
As Stated on Drawing  
Rev: XXXXXX