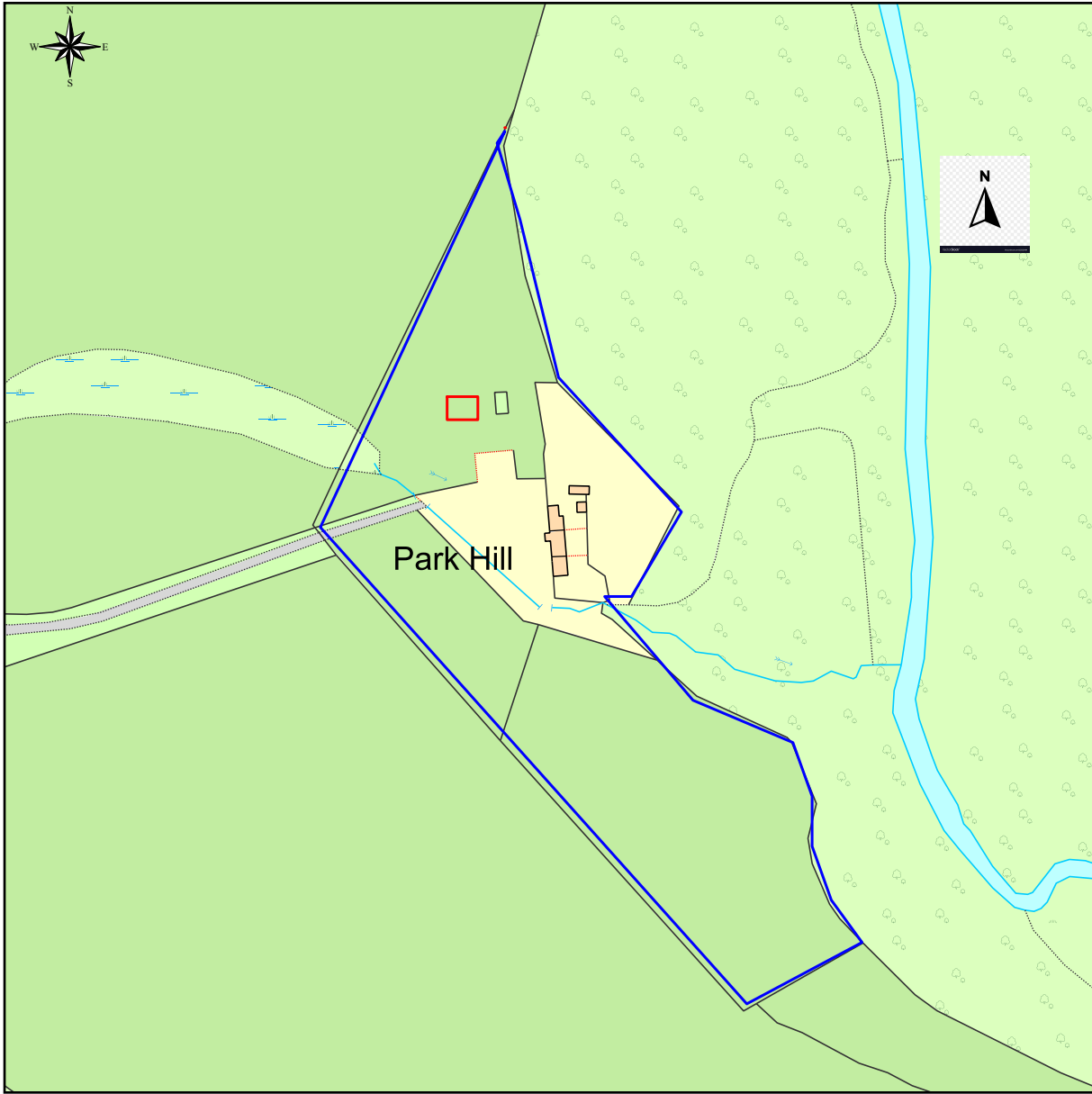


Location Plan of YO13 0LB



This Plan includes the following Licensed Data: OS MasterMap Colour PDF Location Plan by the Ordnance Survey National Geographic Database and incorporating surveyed revision available at the date of production. Reproduction in whole or in part is prohibited without the prior permission of Ordnance Survey. The representation of a road, track or path is no evidence of a right of way. The representation of features, as lines is no evidence of a property boundary. © Crown copyright and database rights, 2020. Ordnance Survey 0100031673

0m 25m 50m 75m 100m 125m 150m 175m 200m

Scale: 1:2500, paper size: A4

NYM/2020/0638/NEW

Proposed site of solar panels, ground mounted.

Scale 1:2,500

NYMNP

21/09/2020



emapsite[™]
plans

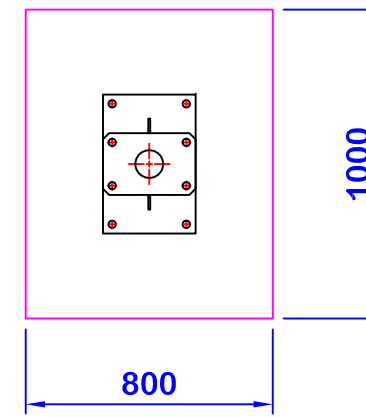
Prepared by: Jan Hoyland, 08-09-2020

HEIGHT		
Tilt Angle	'A' mm	'B' mm
10°	1493	2069
20°	1205	2304
30°	928	2588
40°	672	2806
50°	444	2987
60°	250	3126

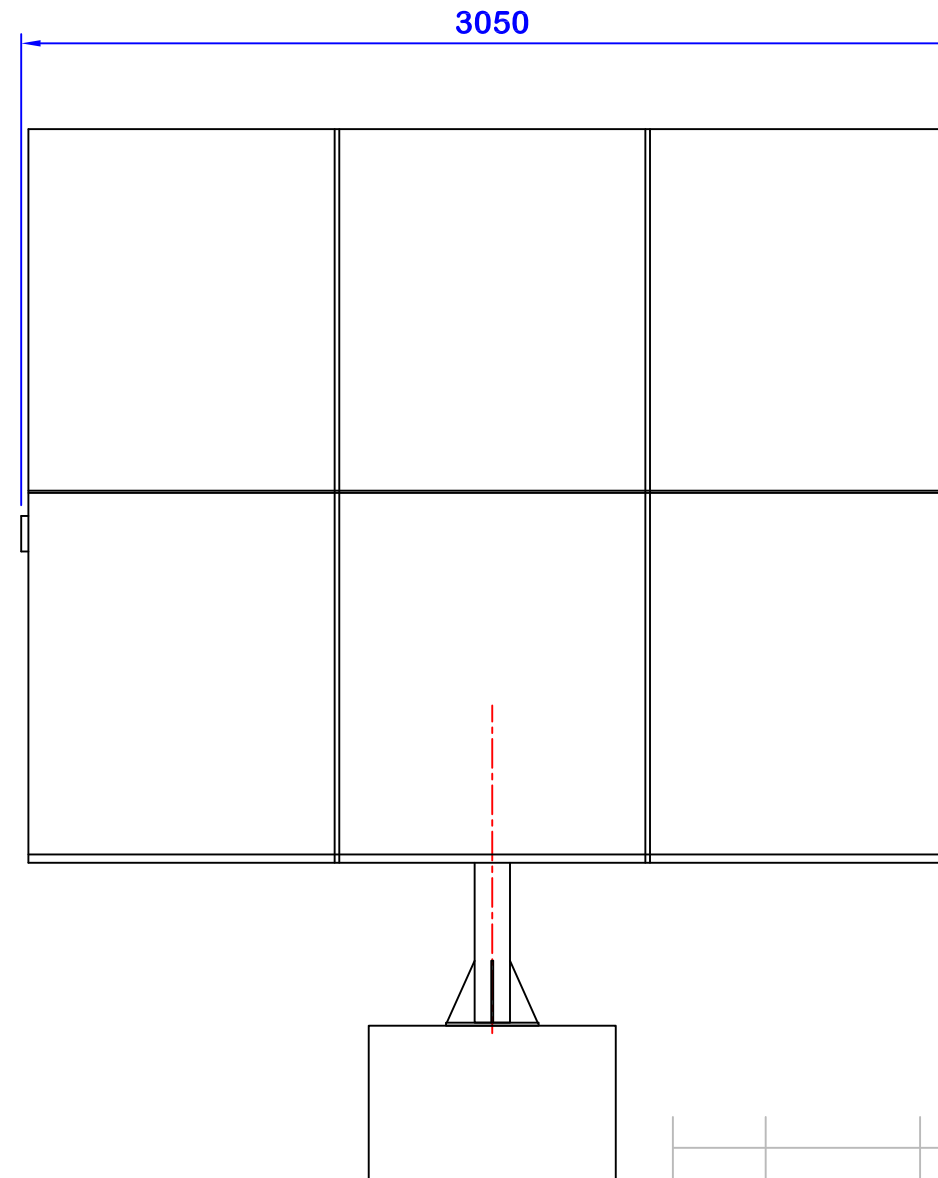
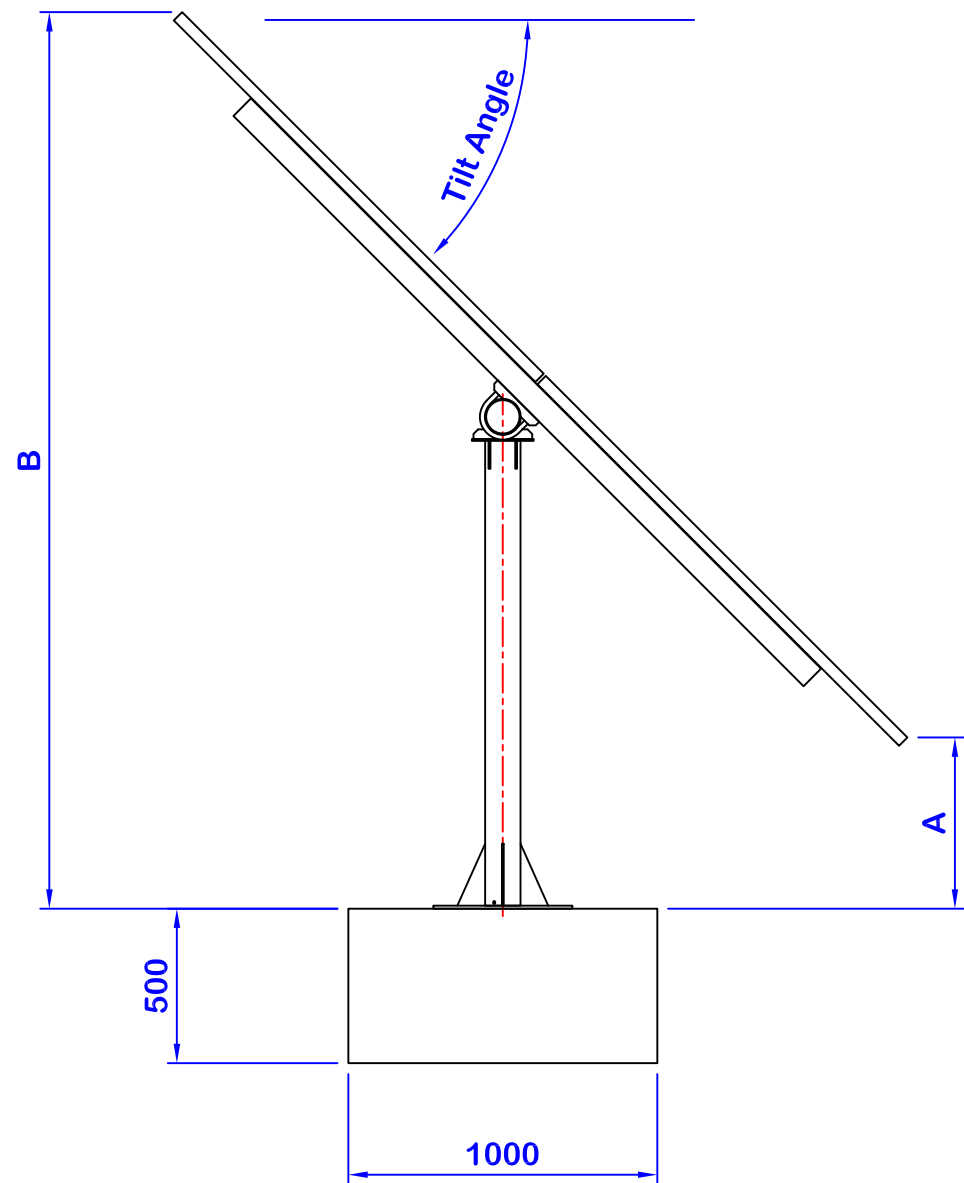
Design Data.

- Material: Mild steel
- Finish: Galvanised to BSEN ISO1461
- Fasteners: Galvanised steel
- Module fasteners: A4 stainless steel
- Wind Loding: 44 metres per second
- Foundation: Concrete Block (supplied by others)

Ground Anchor bolt set c/w Template sold seperately



NYMNPA
21/09/2020

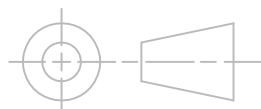


Tolerances.
NO D.Point ±1mm
1 D.Point ±0.5mm
2 D.Points ±0.2mm

1	T Brooks	15.12.2011	Production Issue
ISSUE	DRAWN BY	DATE	CHANGE

Material.	SKN Type Medium Level Ground Mount Structure 6 x REC240PE panels	Product Type
Finish.		SKN Type No. 002 615
PORTRAIT		

DO NOT SCALE



© 2011