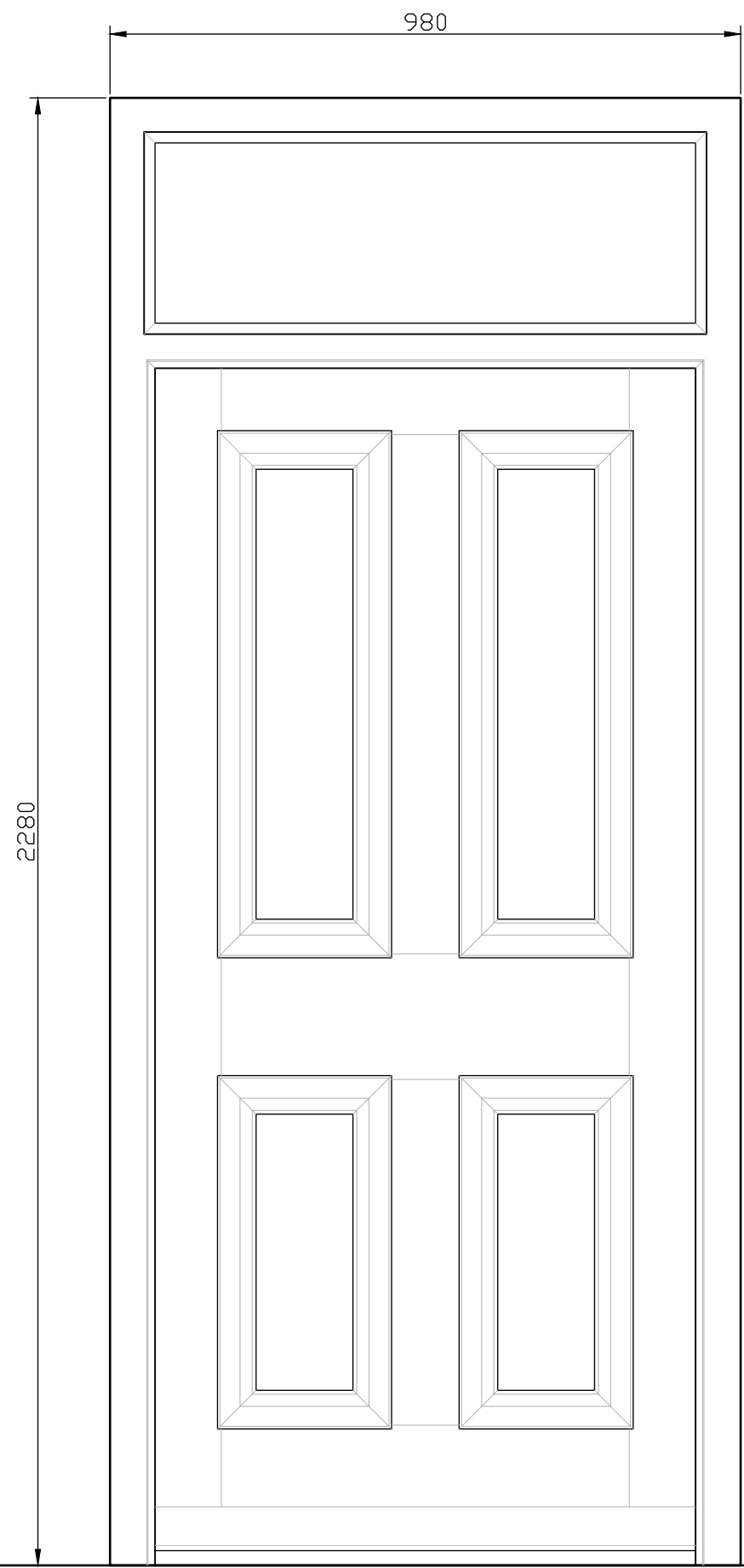


**From:** WJ Barker [mailto:  
**Sent:** 23 November 2020 19:39  
**To:** Kelsey Blain  
**Subject:** nym/2020/0597/lb Greylands Farm

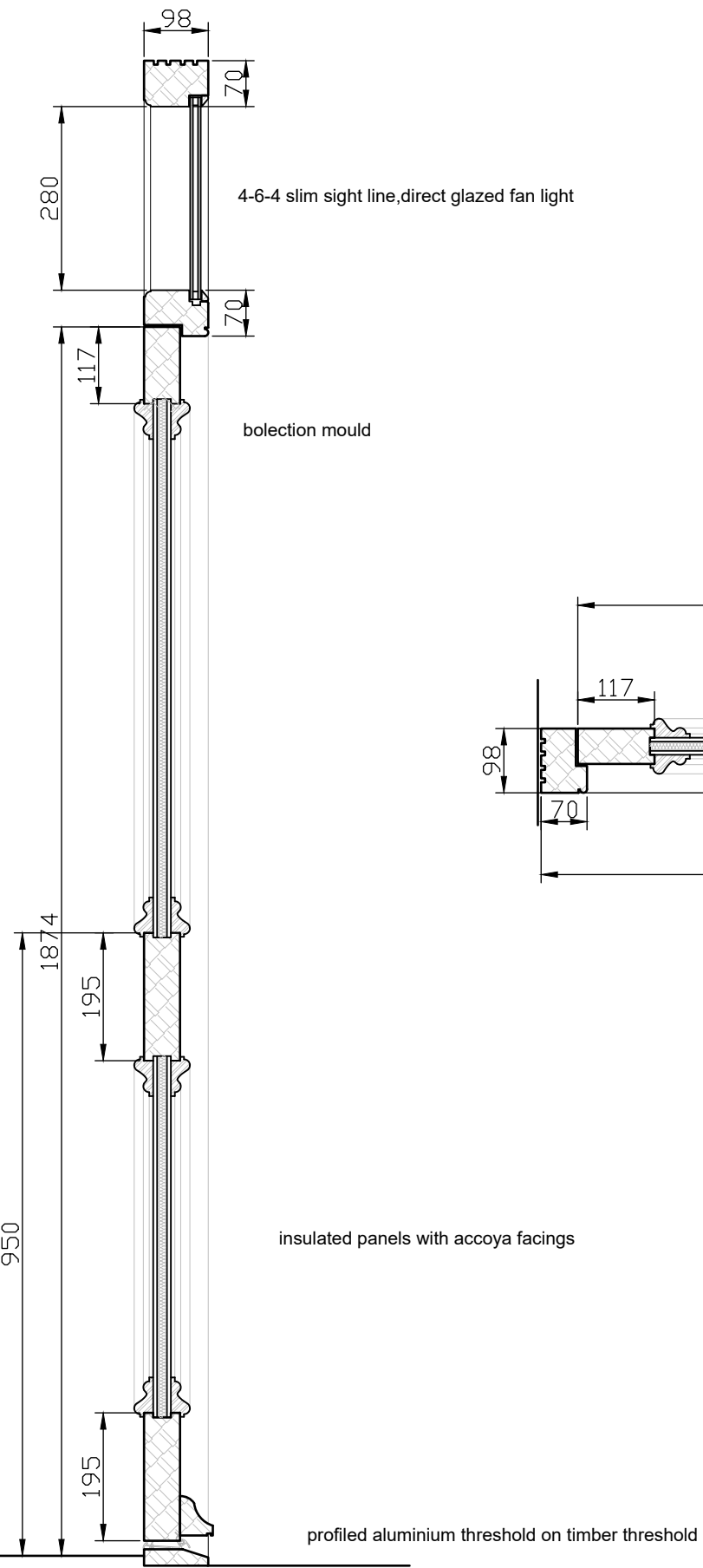
Good Evening

I attach detailed plans for the replacement front door and windows at Greylands Farm as requested.

John Barker

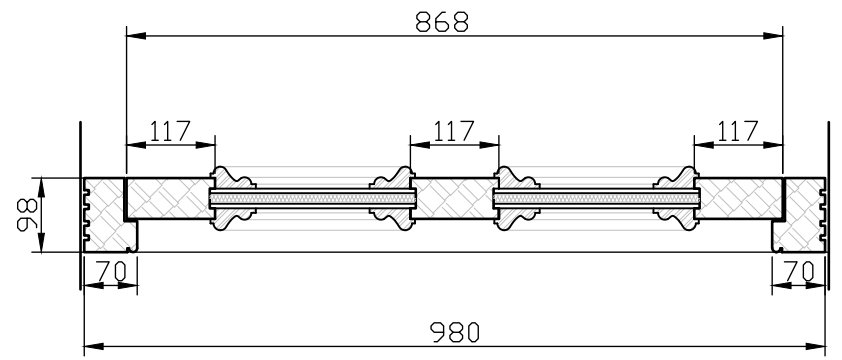


ELEVATION



VERTICAL SECTION

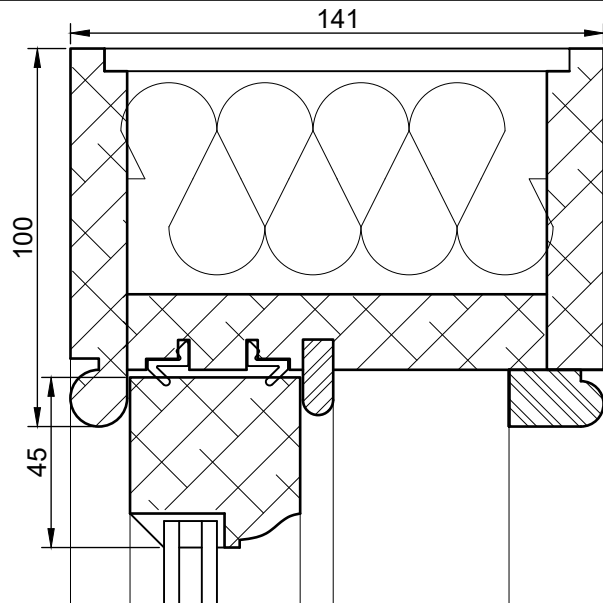
NYMNP  
23/11/2020



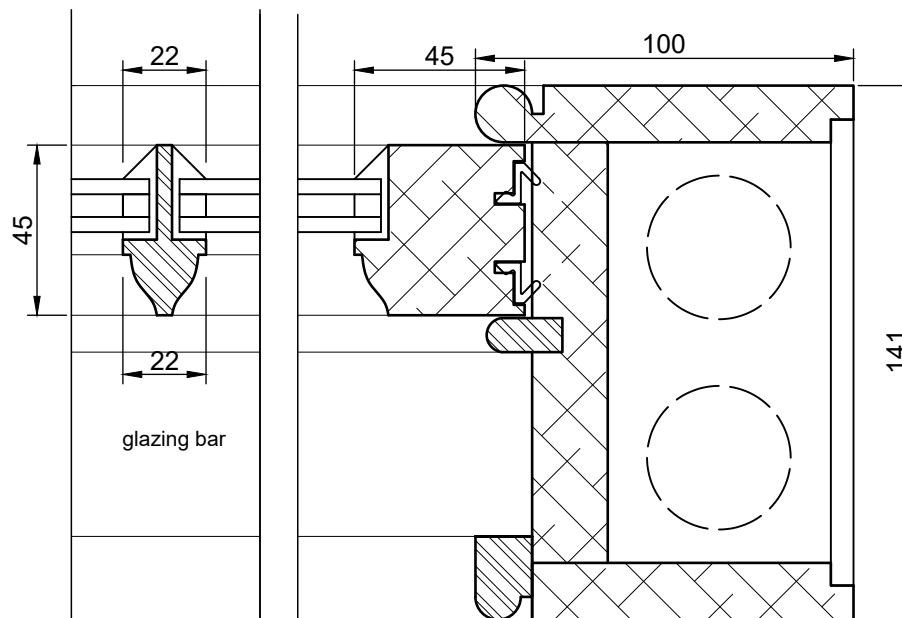
PLAN VIEW

Glazing to Fanlight - 4-6-4 slim sightline with putty pointing externally

<b>BIKER BESPOKE</b> <small>HANDMADE JOINERY</small>	
client:	Mr & Mrs Barker
job:	GREYLANDS FARM - HINDERWELL
drawing:	FRONT DOOR ELEVATION & DETAILS
Rev.	-
scale:	1:10 @ A3
first issue:	20/11/2020
Drawn:	JPW
Checked:	MT
<small>NOTE: DIAGRAMMATIC ONLY - DO NOT SCALE FROM DRAWING</small>	

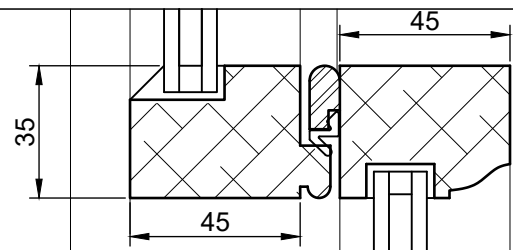


HEAD

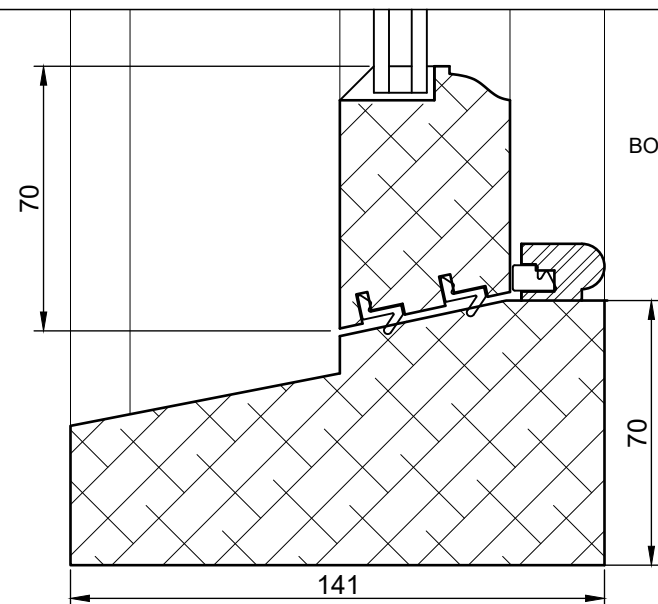


glazing bar

JAMB



MEETING RAILS



BOTTOM RAIL

CILL

NYMNP  
 23/11/2020

Note: - WINDOW TO SUIT 4-6-4 SLIM SIGHTLINE  
GLAZING UNIT - PUTTY POINTED EXTERNALLY

**BIKER BESPOKE**  
HANDMADE JOINERY

client: Mr & Mrs Barker

job: GREYLANDS FARM - HINDERWELL

drawing:  
VERTICAL SLIDING SASH WINDOW  
SLIM SIGHTLINE - LAMBS TONGUE  
DETAILS

Revisions:

scale: 1:2 @ A4 (half full scale)

first issue: 20/11/2020

Drawn: JPW      Checked: MT

Diagrammatic only - do not scale from drawing