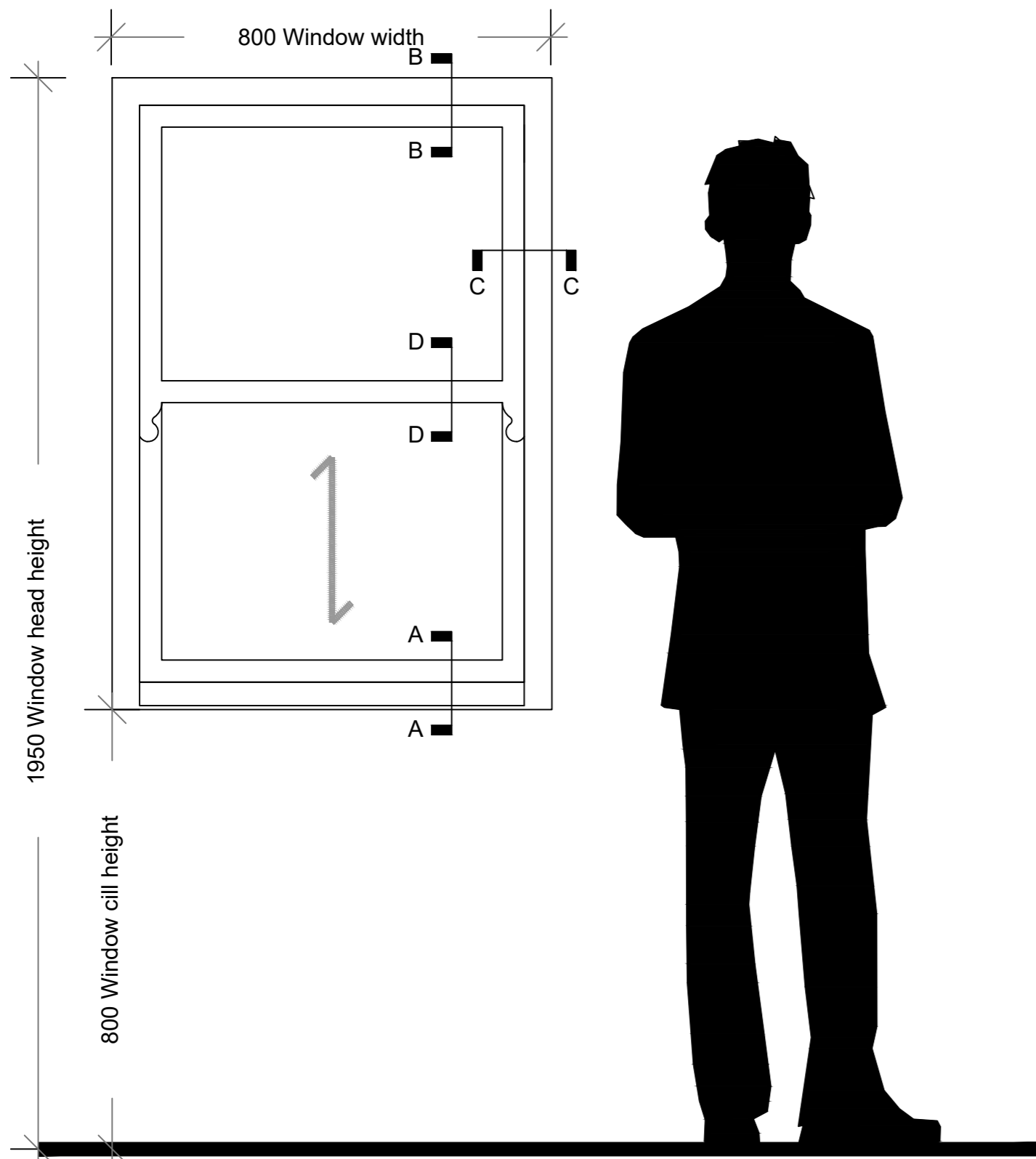


NYMNPA
13/10/2021

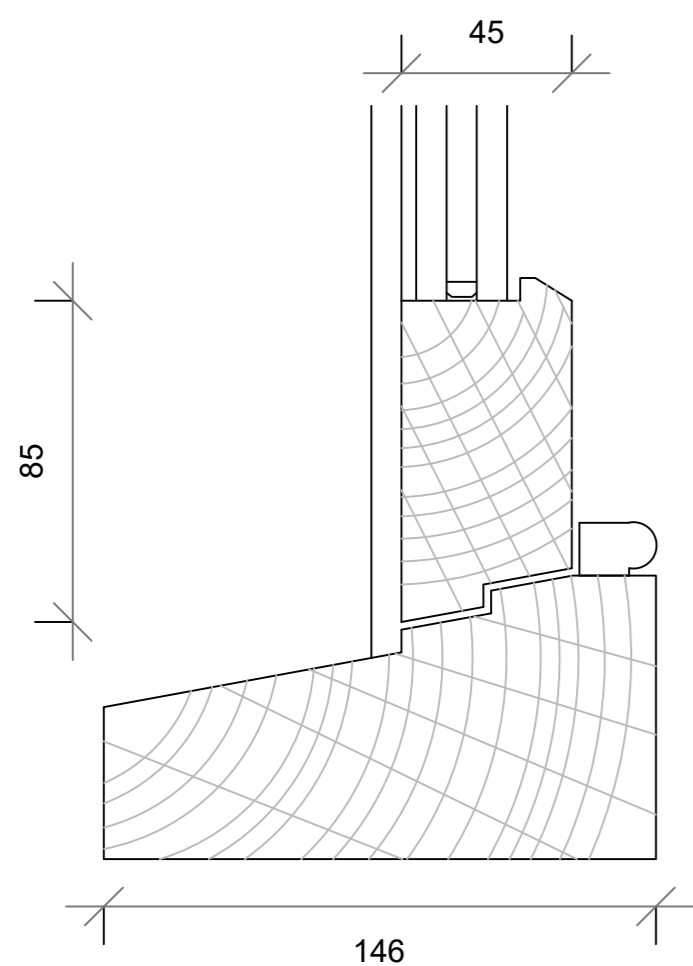


Proposed Dormer Window Elevation - Scale 1:10

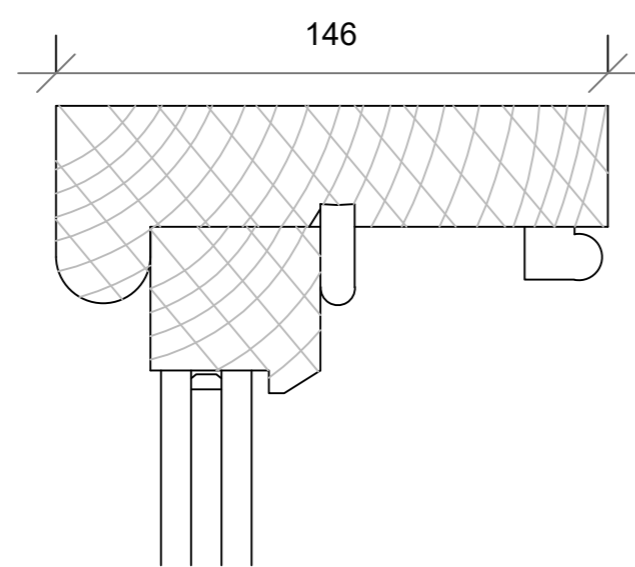


DATUM 4.000m
Front Elevation (Kings beck elevation)

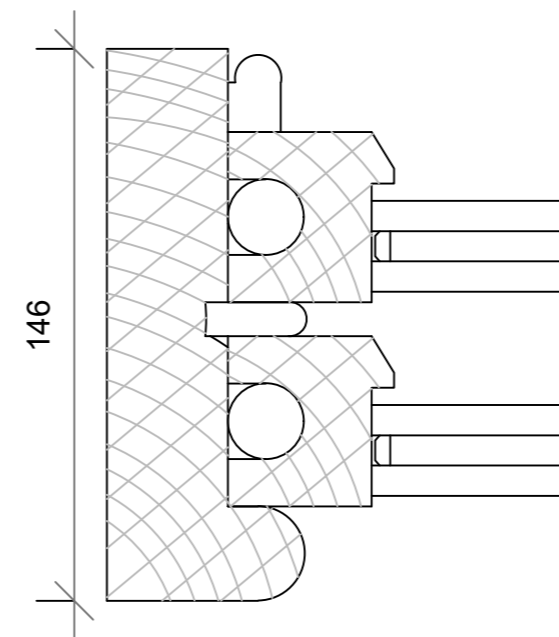
Proposed Location of Dormer Window - Scale 1:100



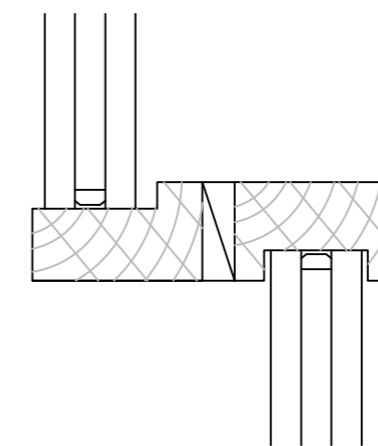
Section A-A



Section B-B



Section C-C



Section D-D

Proposed Window Sections - Scale 1:2

Date	October 21	Drawn	DT
Scale	Varied @ A1	Checked	NWH

Project
Bridge End House, New Road,
Robin Hoods Bay, Whitby

Drawing Title
Working Drawing -
Proposed Dormer Window Elevation and Sections

Drawing No
2020-ID-17-**WD005**

Rev	/
-----	---

CONSTRUCTION

sleDesign
architecture



No 12 High Street, Epworth, North Lincs
M: 07917 224361 T: 01427 671480
E: nwh@isledesign-architecture.com
CIAT Chartered Membership No: 015669