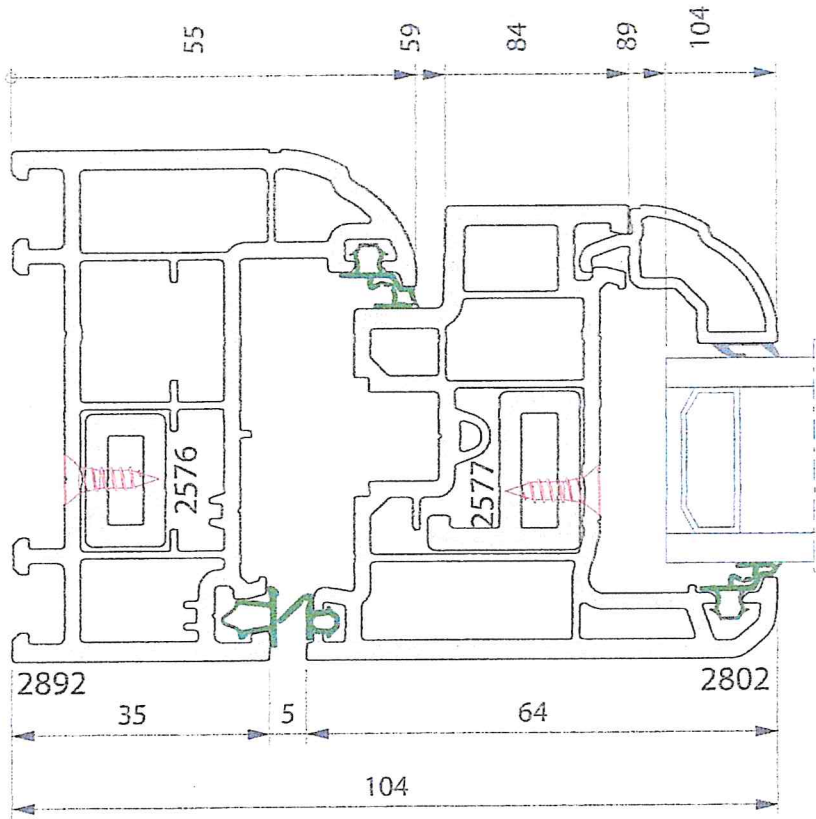


P 2892_2802
 Int bead flush sash

PROFILE COMBINATION

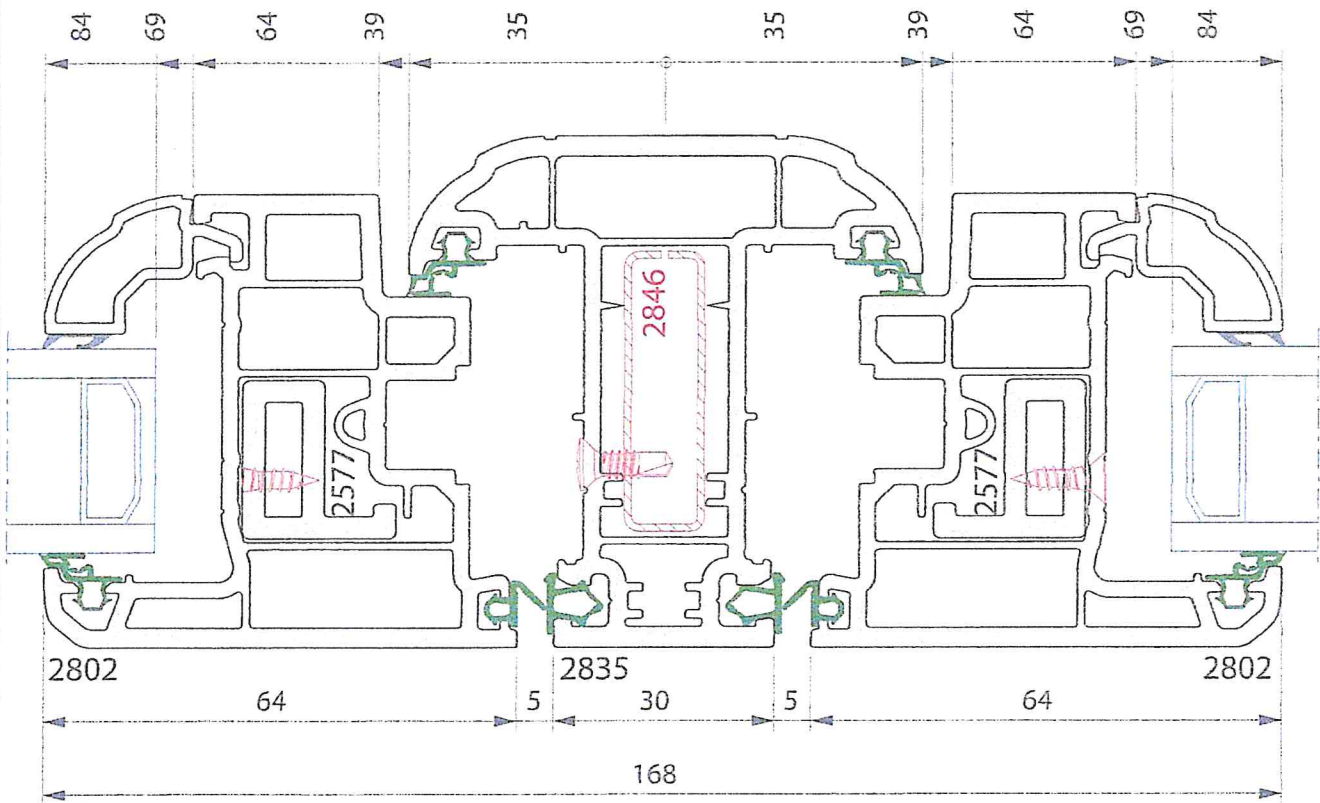
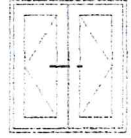
Uf 28mm (EN ISO 10077-2) 1.226 W/m ² K	Uf 40mm (EN ISO 10077-2) 1.170 W/m ² K
--	--



P 2835_2802
Int bead flush sash

PROFILE COMBINATION

Uf 28mm (EN ISO 10077-2)
1.347 W/m²K



NYMNP

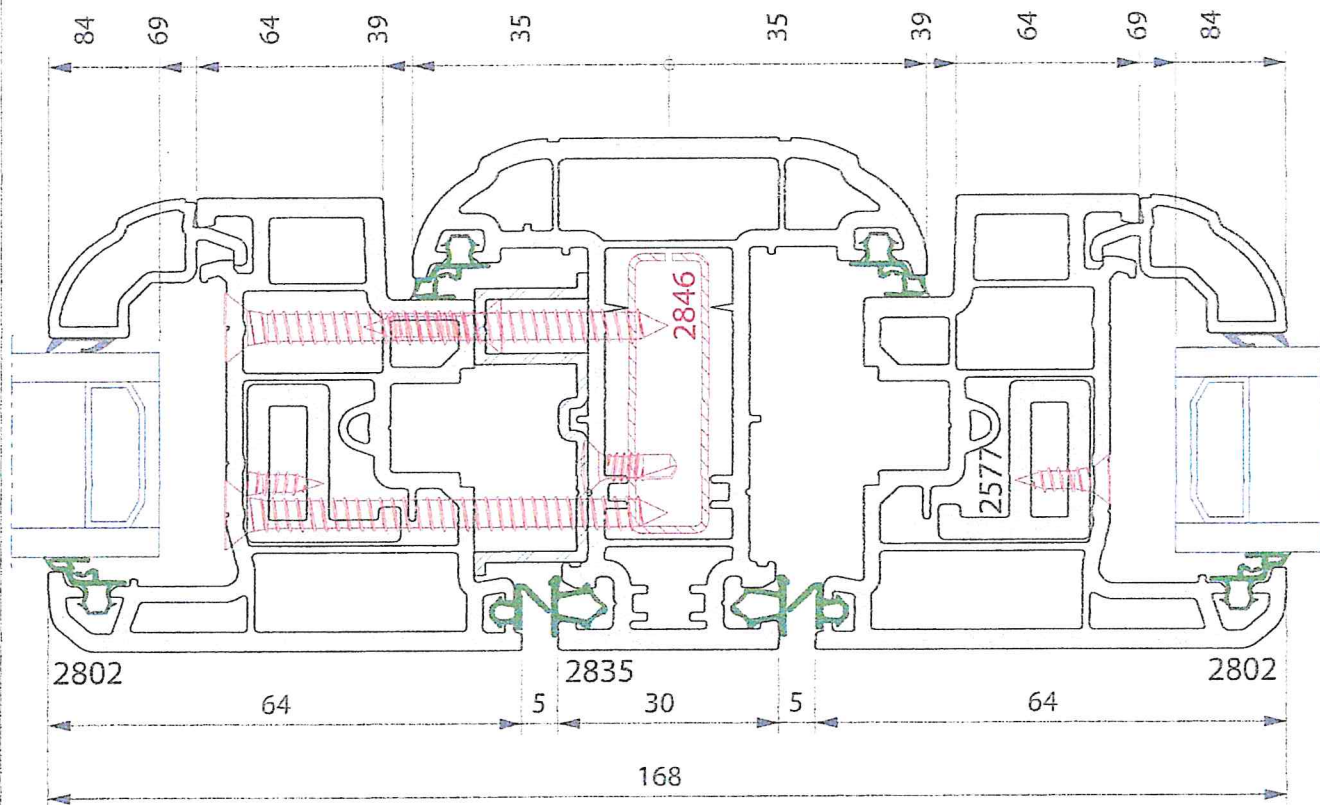
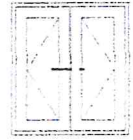
18/01/2022

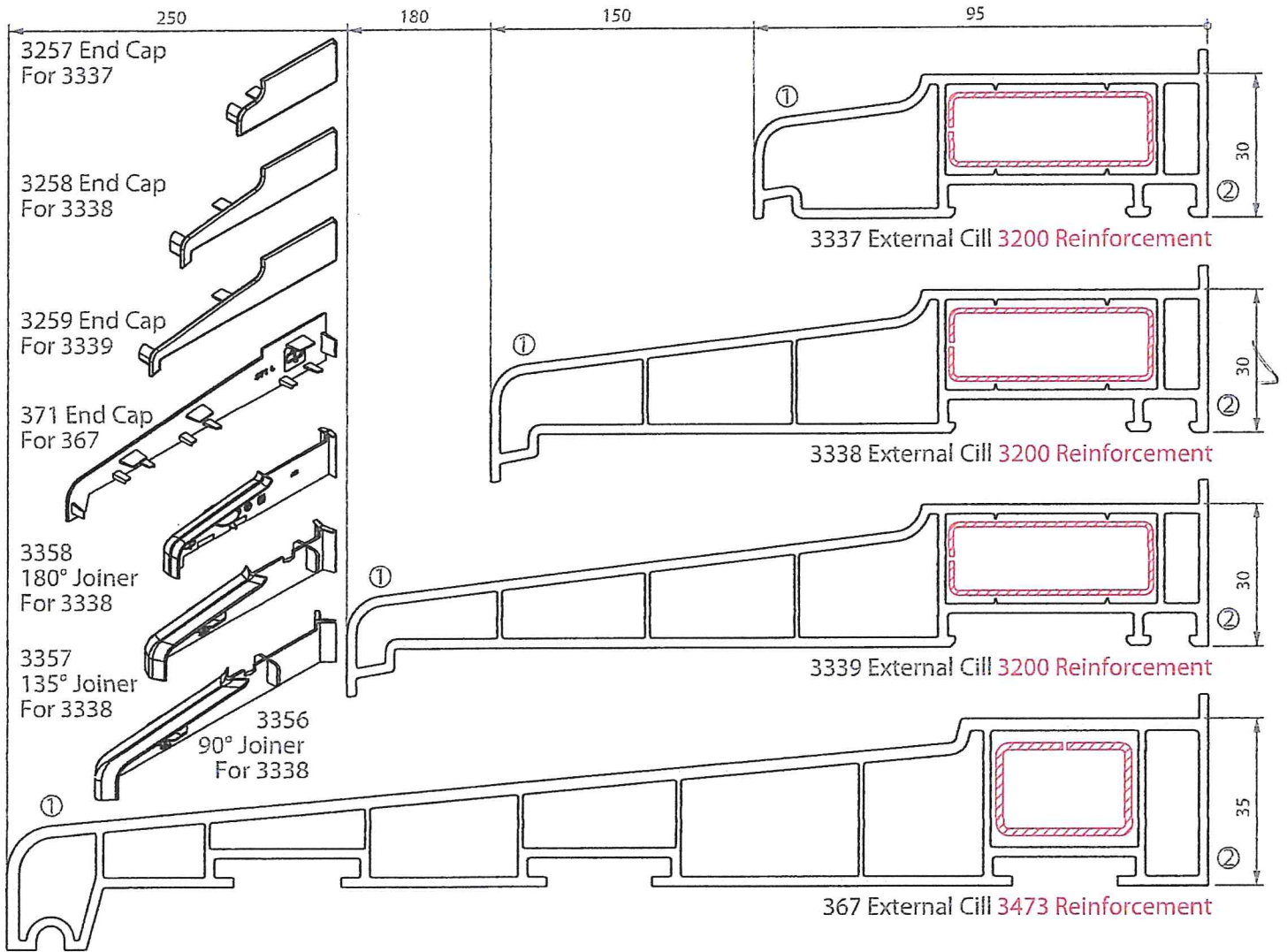
Genesis

P 2835_2802
Int bead flush sash

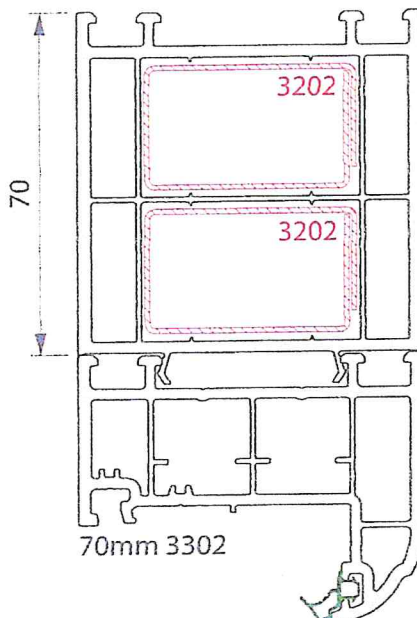
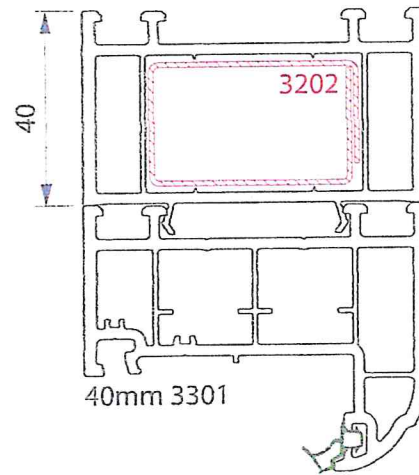
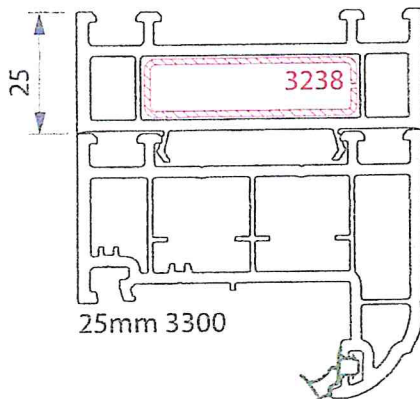
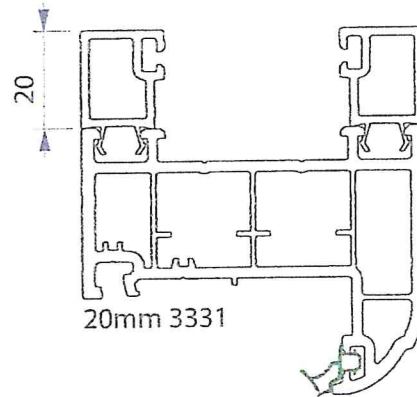
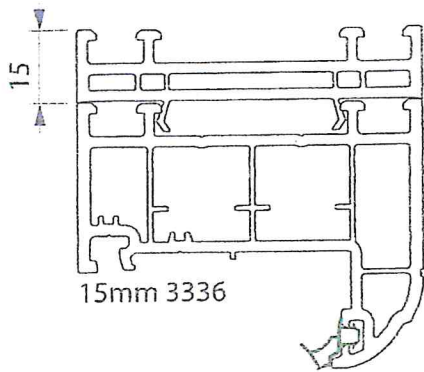
PROFILE COMBINATION

Uf 28mm (EN ISO 10077-2)
1.442 W/m²K





Frame extenders



We recommended that all exposed joints are sealed on site with silicone to protect against the ingress of water.