



**North York Moors
National Park
Authority**

NYMNP

09/05/2022

Tom Hind
Chief Executive

Mrs Jean Butler
16 Blackburn Avenue
Brough
East Yorkshire
HU15 1BD

Your ref:

Our ref: NYM/2021/1002

Date: 15 February 2022

Dear Mrs Butler

Application for Listed Building consent for installation of replacement windows and door to rear of property and installation of vented roof tile to kitchen roof at Rosedale Cottage, 1 The Row, Iburndale

I am writing in regards to the above application for which I have now received the Building Conservation Team and Parish Council's comments.

I can advise that the Authority is generally supportive of the proposals, however both the Building Conservation team and Parish Council have requested that consideration is given to the use of a flush fitting air vent tile, an example of which can be found via the below link:

<https://homesmart.org.uk/products/terracotta-single-pantile-roof-tile-vent-marley-redland-sandtoft>

I would also advise that the following condition would be applied to the decision notice, unless it would be possible to provide these details prior to the determination of the application:

No work shall commence on the installation of any replacement or new windows (and glazing if included) in the development hereby approved until detailed plans showing the constructional details of all window frames to be used in the development have been submitted to and approved in writing by the Local Planning Authority. Such plans should indicate, on a scale of not less than 1:20, the longitudinal and cross sectional detailing including means of opening. The window frames shall be installed in accordance with the approved details and shall be maintained in that condition in perpetuity unless otherwise agreed in writing with the Local Planning Authority.

I would be grateful to receive your response to the above at your earliest convenience. Should you have any questions please feel free to contact me.

Yours sincerely

K. Blain

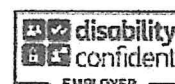
Miss Kelsey Blain
Planning Officer

k.blain@northyorkmoors.org.uk

01439 772 539

Working together to sustain the landscape and life of the
North York Moors for both present and future generations to enjoy

The Old Vicarage, Bondgate, Helmsley, York YO62 5BP
01439 772700 general@northyorkmoors.org.uk
planning@northyorkmoors.org.uk northyorkmoors.org.uk



NYMNP

09/05/2022

Mainland UK



All Prices Include VAT

Terracotta Single Pantile Roof Tile Vent / Marley Redland Sandtoft

£36.79

Qty:

Add to Cart



Categories

Access Panels

Air Bricks

Automotive

Cable Ties +

Cavity Sleeves & Core Vents

Cavity Wall Air Bricks

Corner Wall Protectors

Cowls

Door Furniture & Ironmongery

Drainage

Dry Verges

Product Description

Terracotta Single Pantile Roof Tile Vent

Fits Marley, Redland, & Sandtoft

Terracotta roof tile ventilator.

1
Chat with us!

NYMNP

09/05/2022

Fascia Joints & End Caps	
Flood Water Defence	Can be used with concrete and traditional clay tiles.
Health & Safety	Fully independently wind tunnel tested.
Household	Round 100mm (4 Inch) outlet connection for mechanical extraction.
Kitchenware	
Loft Traps & Hatches	Opening can be attached to a soil stack or extractor fan with a 100mm - 120mm PVC hose.
Manthorpe Airbricks	
Manthorpe Cavity Wall Ventilation	These vents are not a product of Marley but are designed to fit Marley products.
+	
Manthorpe Telescopic Vents	Any use of brand names is to aid the search for compatible roof tiles.
Office & Business	
Other Buildings	
Materials	Tile Vent
Plastic Trims	For use with:
Poly Tops Pins & Nails	Marley Anglia
Roofing	Redland Fenland
Screws & Fixings	Sandtoft Shire
Soffits & Claddings	
Spax Screws	
Storage Solutions	Tile Specification:
Tile Ventilation	Width: 228mm. Height: 395mm.

Chat with us!

NYMNPA

09/05/2022

- Tool Spring Clips
- Tools
- Travel and Leisure
- Warehouse Distribution
- +
- Vents & Ventilation
- Workshop Consumables
- Weep Vents
- News

Building Regulations and British standards.

Manufactured with UV stable materials to reduce colour fade.

Other colours available in our shop.

Type Other DIY Materials

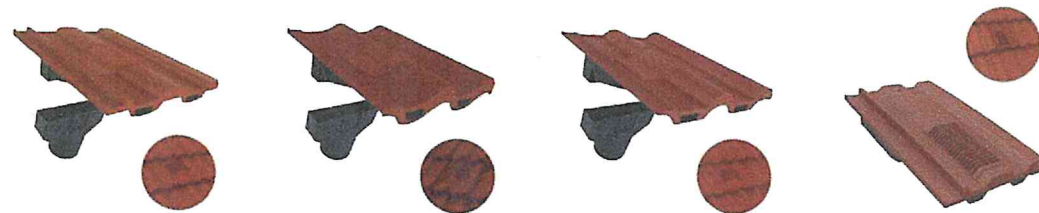
Vendor Manthorpe

Tags Tile Vents

Sign up to our Newsletter

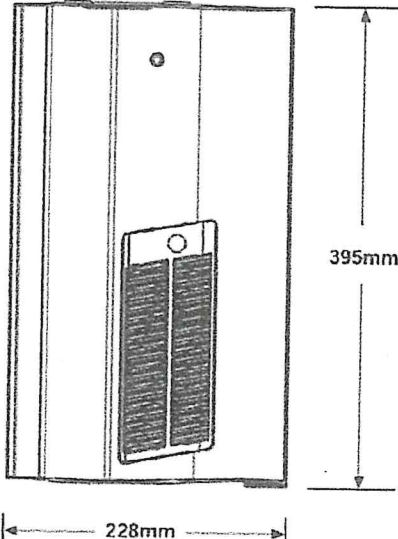
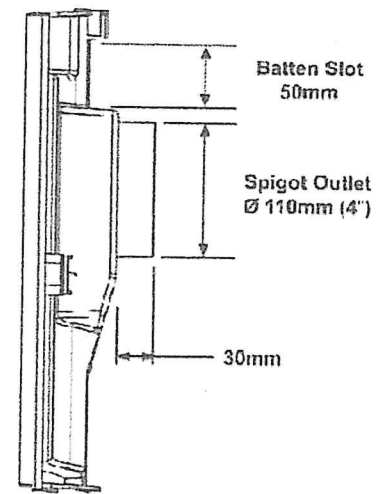
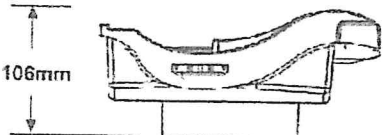
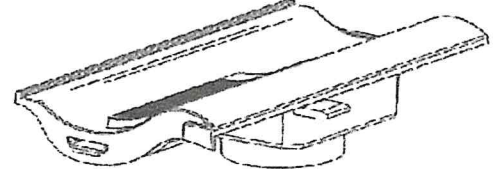
Save Tweet Like 0

Other Products...



Chat with us!

NYMNP
09/05/2022

Tile Ventilator Range - Single Pantile		CODE GTV-SP									
											
											
<table border="1" style="width: 100%; border-collapse: collapse;"> <thead> <tr> <th style="text-align: left; padding: 2px;">Required Ventilation</th> <th style="text-align: left; padding: 2px;">Vent Spacing</th> </tr> </thead> <tbody> <tr> <td style="padding: 2px;">5,000 mm²/m</td> <td style="padding: 2px;">Install at 1.0m centres</td> </tr> <tr> <td style="padding: 2px;">10,000 mm²/m</td> <td style="padding: 2px;">Install at 0.5m centres</td> </tr> <tr> <td style="padding: 2px;">25,000 mm²/m</td> <td style="padding: 2px;">Install at 0.2m centres</td> </tr> </tbody> </table>	Required Ventilation	Vent Spacing	5,000 mm ² /m	Install at 1.0m centres	10,000 mm ² /m	Install at 0.5m centres	25,000 mm ² /m	Install at 0.2m centres	<table border="1" style="width: 100%; border-collapse: collapse;"> <thead> <tr> <th style="text-align: left; padding: 2px;">Tile Compatibility</th> </tr> </thead> <tbody> <tr> <td style="padding: 2px; text-align: center;"> Marley Anglia Redland Ferland Sandtoft Shire </td> </tr> </tbody> </table>	Tile Compatibility	Marley Anglia Redland Ferland Sandtoft Shire
Required Ventilation	Vent Spacing										
5,000 mm ² /m	Install at 1.0m centres										
10,000 mm ² /m	Install at 0.5m centres										
25,000 mm ² /m	Install at 0.2m centres										
Tile Compatibility											
Marley Anglia Redland Ferland Sandtoft Shire											
<table border="1" style="width: 100%; border-collapse: collapse;"> <thead> <tr> <th style="text-align: left; padding: 2px;">References</th> </tr> </thead> <tbody> <tr> <td style="padding: 2px;"> BSI: BS 5250:2011 Control of Condensation in Building BSI: BS 5534:2014 Code of Practice for Slate and Tiling BSI: BS 490:2004 Concrete tiles and fittings for roof covering BRE: prEN 15601 Building Regulations 2010 NHBC: Good Craftmanship Guides </td> </tr> </tbody> </table>	References	BSI: BS 5250:2011 Control of Condensation in Building BSI: BS 5534:2014 Code of Practice for Slate and Tiling BSI: BS 490:2004 Concrete tiles and fittings for roof covering BRE: prEN 15601 Building Regulations 2010 NHBC: Good Craftmanship Guides	<table border="1" style="width: 100%; border-collapse: collapse;"> <thead> <tr> <th style="text-align: left; padding: 2px;">Installation Overview</th> </tr> </thead> <tbody> <tr> <td style="padding: 2px;"> The vent is laid in a straight bond format taking the place of single tile with no need to cut the tiling battens. The vent should not be installed on a roof pitch below 20 degrees. </td> </tr> </tbody> </table>	Installation Overview	The vent is laid in a straight bond format taking the place of single tile with no need to cut the tiling battens. The vent should not be installed on a roof pitch below 20 degrees.						
References											
BSI: BS 5250:2011 Control of Condensation in Building BSI: BS 5534:2014 Code of Practice for Slate and Tiling BSI: BS 490:2004 Concrete tiles and fittings for roof covering BRE: prEN 15601 Building Regulations 2010 NHBC: Good Craftmanship Guides											
Installation Overview											
The vent is laid in a straight bond format taking the place of single tile with no need to cut the tiling battens. The vent should not be installed on a roof pitch below 20 degrees.											

NYMNPA
09/05/2022

