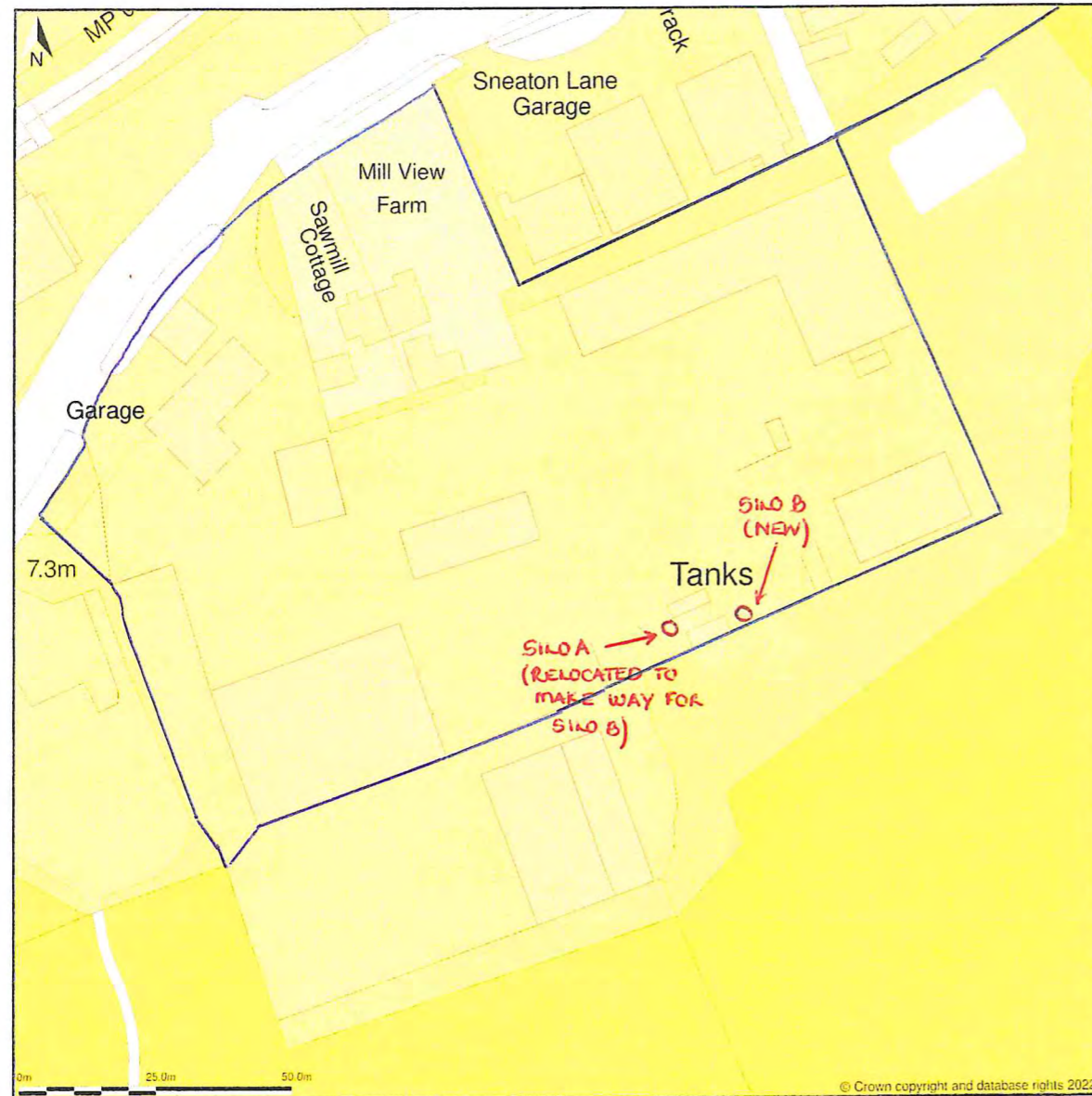


Wilf Noble Building Supplies, Sneaton Lane, Ruswarp, Whitby, North Yorkshire, YO22 5HL



NYMNP
26/05/2022

Site Plan shows area bounded by: 488859.38, 508807.81 489059.38, 509007.81 (at a scale of 1:1250), OSGridRef: NZ8895 890. The representation of a road, track or path is no evidence of a right of way. The representation of features as lines is no evidence of a property boundary.

Produced on 24th May 2022 from the Ordnance Survey National Geographic Database and incorporating surveyed revision available at this date. Reproduction in whole or part is prohibited without the prior permission of Ordnance Survey. © Crown copyright 2022. Supplied by <https://www.buyaplan.co.uk> digital mapping a licensed Ordnance Survey partner (100053143). Unique plan reference: #00734888-6592B9

Ordnance Survey and the OS Symbol are registered trademarks of Ordnance Survey, the national mapping agency of Great Britain. Buy A Plan logo, pdf design and the www.buyaplan.co.uk website are Copyright © Pass Inc Ltd 2022

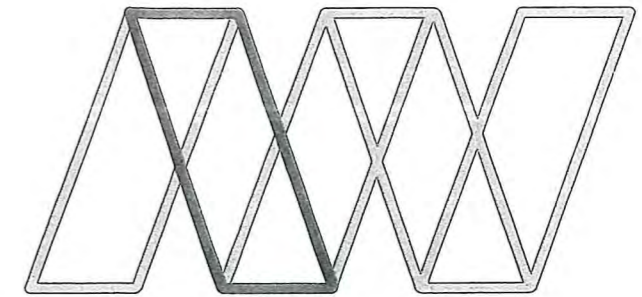
NYMNP

26/05/2022

NYMNP

03/04/2019

P1	FIRST ISSUE	29.03.19	JPM	PS	--
Rev	Description	Date	By	Chk	App



Alan Wood & Partners

Hull Office
341 Beverley Road
Hull
HU5 1LD

Consulting Civil &
Structural Engineers
Project Managers
Building Surveyors

Lincoln
London
Scarborough
Sheffield
York

Project: Proposed Extension At
Wilf Noble Building Supplies, Ruswarp

Client:
Wilf Noble Building Supplies Ltd.

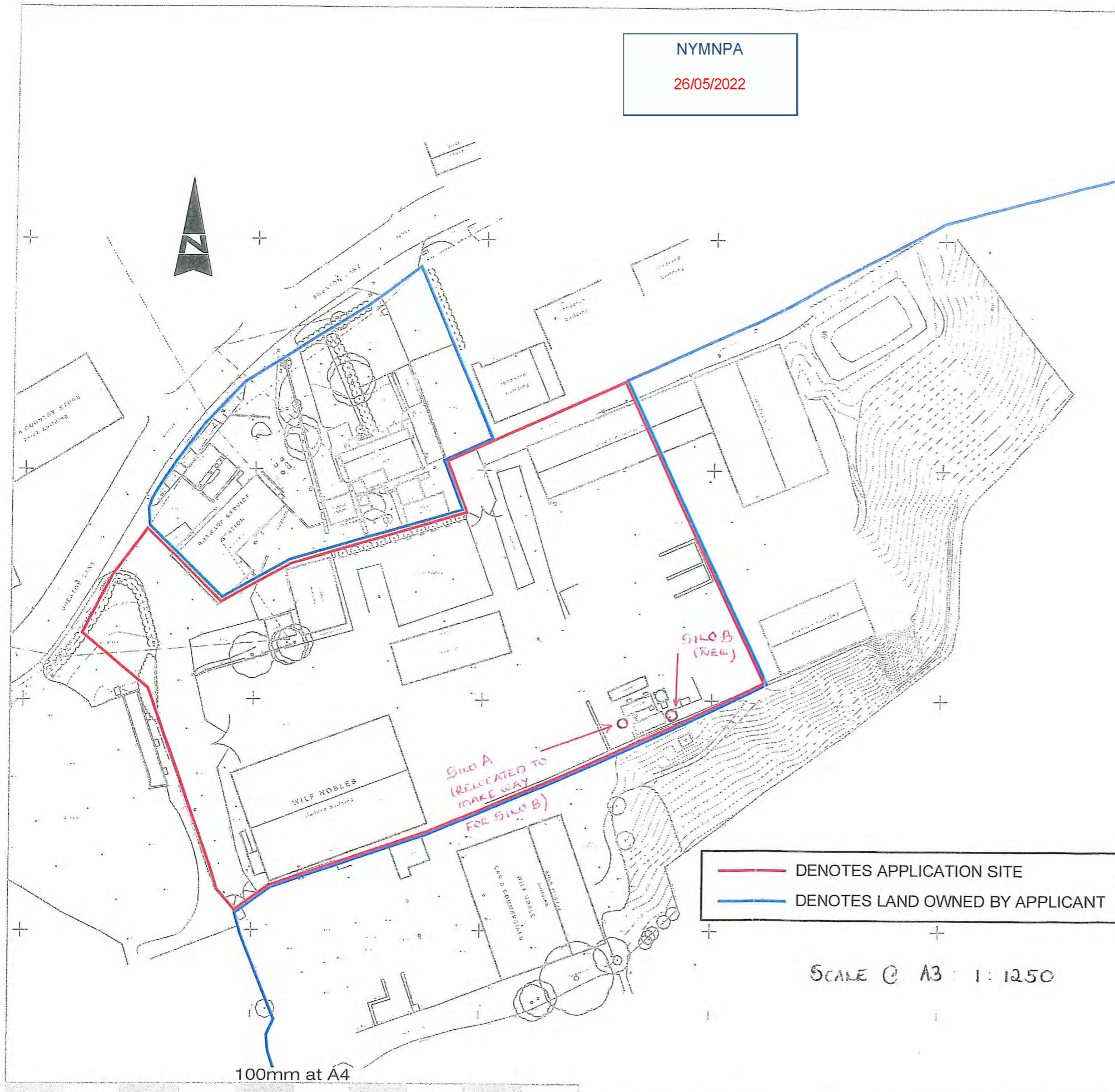
Drawing:
Site Location Plan

Role: Structural Engineer

Drawing Status: **PLANNING**

Job. no. 35127 Scale@ 1:1250 Rev. P1

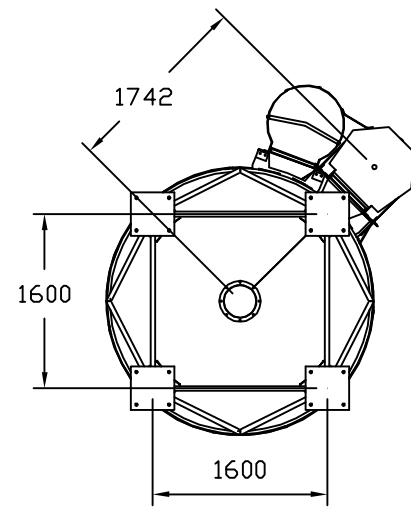
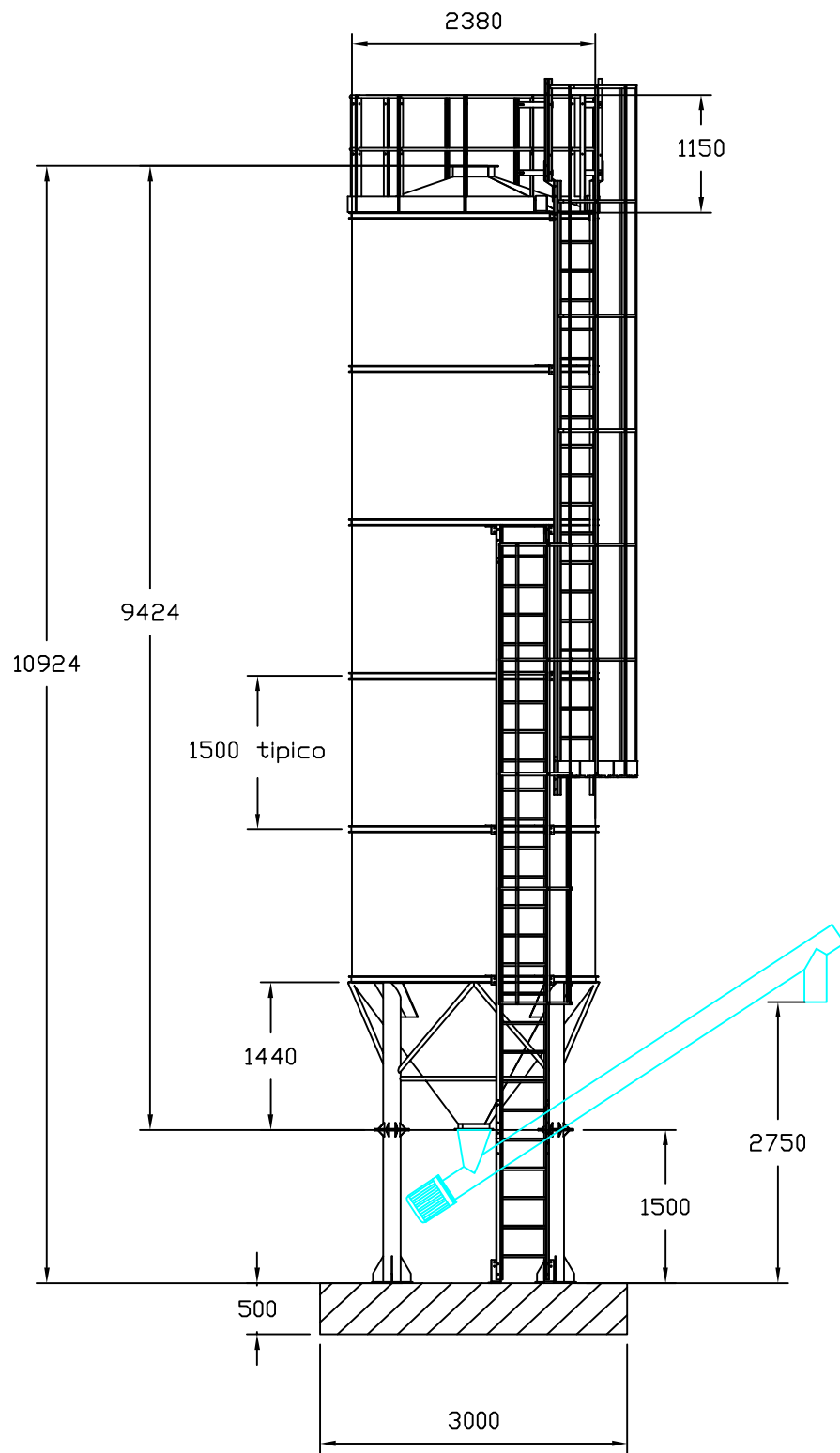
Project Originator Volume Level Type Role Number
WILF - AWP - 00 - GF - DR - S - 0050



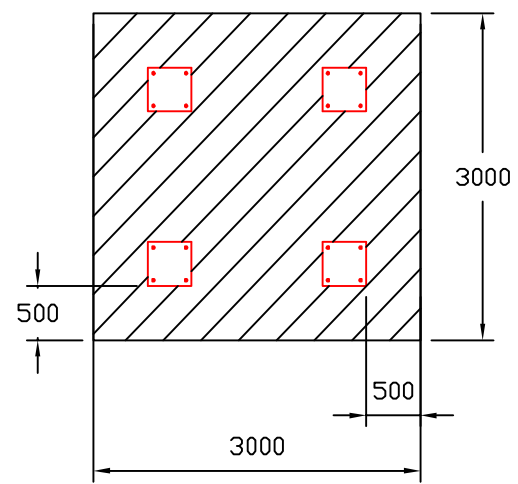
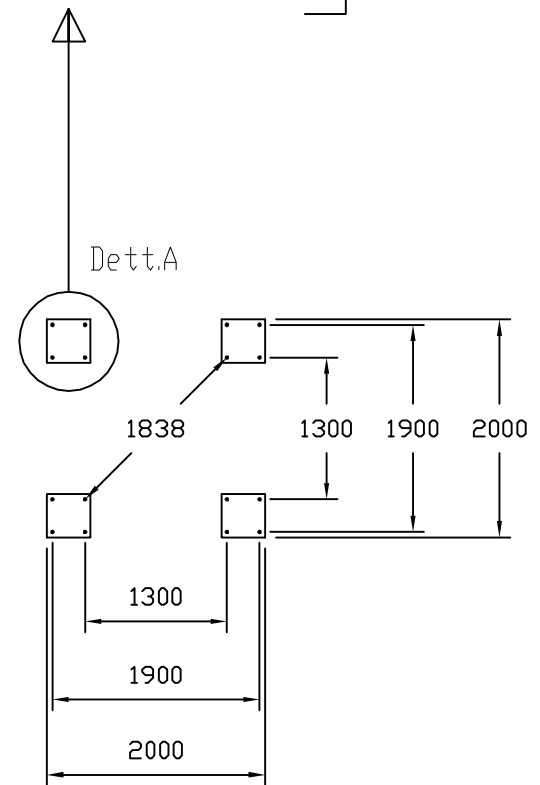
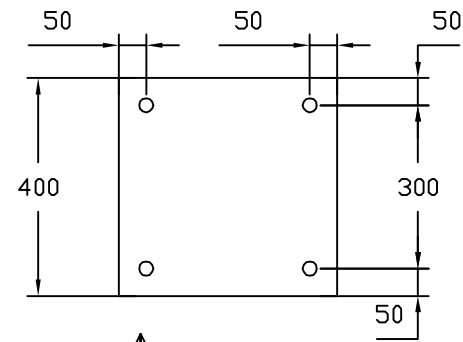
— DENOTES APPLICATION SITE
— DENOTES LAND OWNED BY APPLICANT

SCALE @ A3 : 1 : 1250

100mm at A4



Dettaglio A - 1:20



Empty weight:	2600 kg
Full weight:	51600 kg
Material:	cement (1400 kg/mc)
Seismic action:	0,25g
Wind action:	90 km/h
Snow loads:	90 kg/sqm

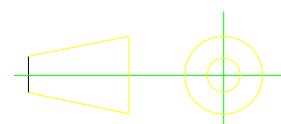


Questo disegno e' di proprieta' della POGGI S.a.s. non puo' essere copiato, riprodotto, mostrato a terzi senza nostra autorizzazione.

This drawing belongs to messrs. POGGI S.a.s.. It may not be copied, reproduced, shown to third party without our permission.

DESCRIZIONE

DATA EMISSIONE COPIA



NUMERO DISEGNO

Via XXV Aprile, 19 52012 - CORSALONE CHIUSI DELLA VERNA (AR)

DISEGNATORE

Formato

Scala

A4

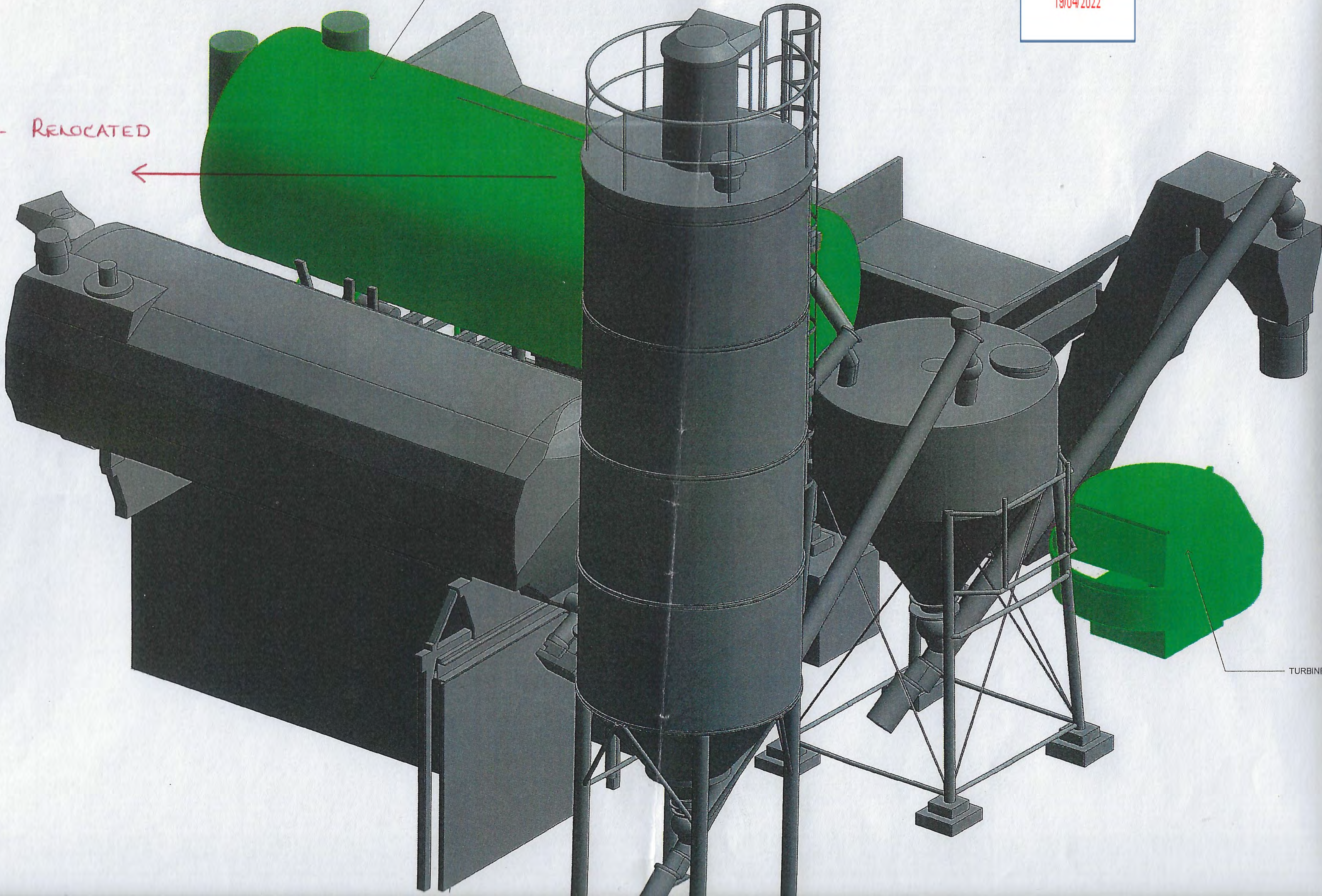
VIEW A - FOR INUSTRATIVE PURPOSES ONLY

NYMNP
19/04/2022

SINO A - RENOCATED



PROPOSED EUROSINO SPF 28/DE

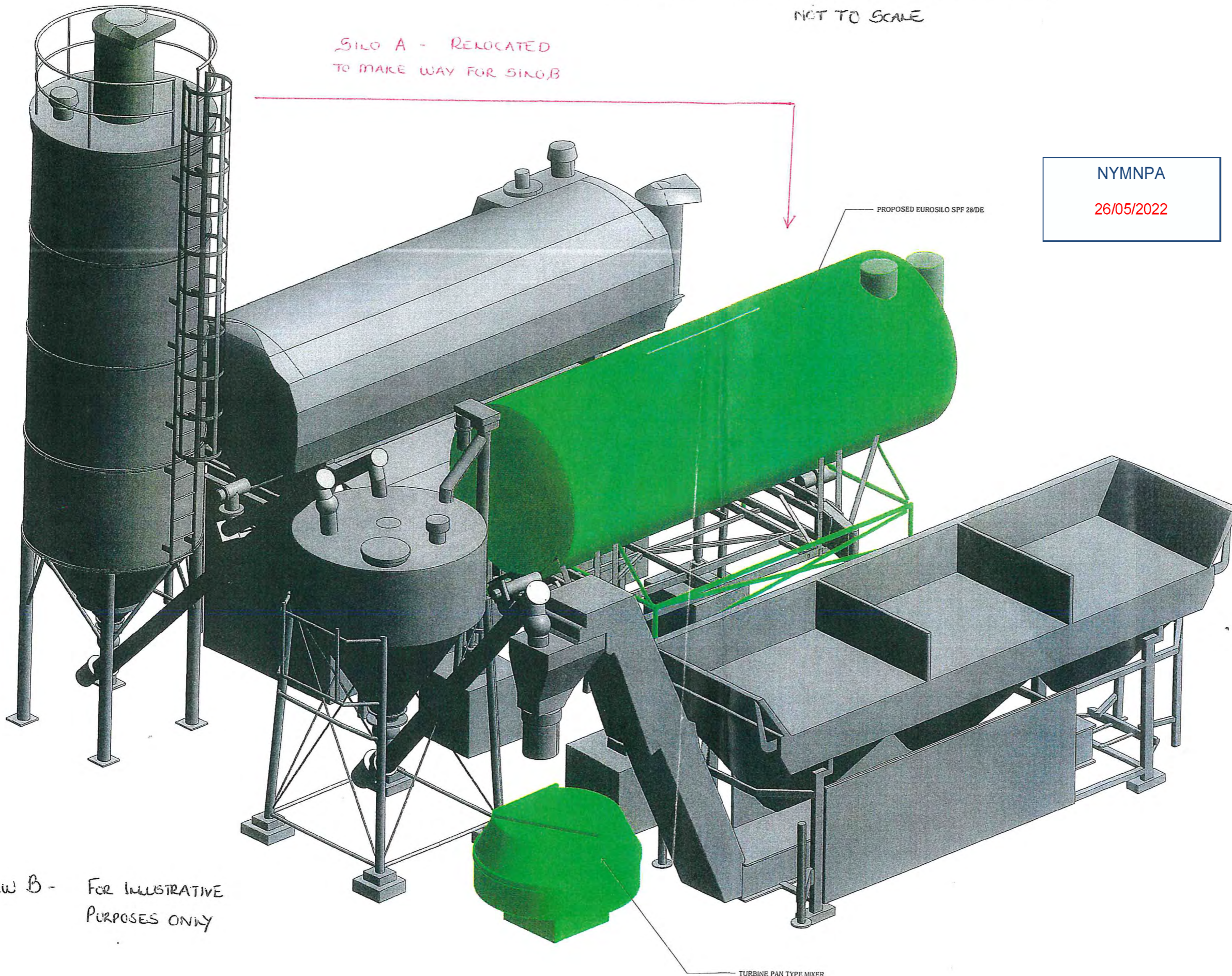


TURBINE

VIEW B - FOR ILLUSTRATIVE PURPOSES ONLY

NOT TO SCALE

SILO A - RELOCATED
TO MAKE WAY FOR SILO B

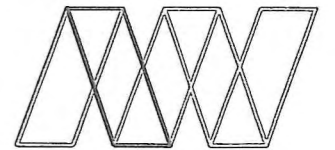


NYMNPA
26/05/2022

- NOTES:
1. THESE NOTES ARE INTENDED TO ALIGN WITH DRAWINGS AND SPECIFICATIONS. WHERE CONFLICT OF REQUIREMENTS EXIST THE ORDER OF PRECEDENCE SHALL BE AS SHOWN IN THE SPECIFICATION, OTHERWISE THE STRICTEST PROVISION SHALL GOVERN.
 2. THIS DRAWING IS TO BE READ IN CONJUNCTION WITH ALL OTHER RELEVANT ENGINEERS AND ARCHITECTS DRAWINGS.
 3. DRAWINGS NOT TO BE SCALED. ALL DIMENSIONS TO BE CHECKED ON SITE BY THE CONTRACTOR. ANY DISCREPANCIES TO BE NOTIFIED TO THE ENGINEER AND FURTHER INSTRUCTIONS OBTAINED BEFORE WORK IS COMMENCED.
 4. THE STRUCTURE IS DESIGNED TO BE SELF-SUPPORTING AND STABLE AFTER THE BUILDING IS FULLY COMPLETED. IT IS THE CONTRACTOR'S SOLE RESPONSIBILITY TO DETERMINE THE ERECTION PROCEDURE AND SEQUENCE AND ENSURE THAT THE BUILDING AND ITS COMPONENTS ARE SAFE DURING ERECTION. THIS INCLUDES THE ADDITION OF WHATEVER TEMPORARY BRACING, CLIPS OR TIE DOWNES WHICH MAY BE NECESSARY. SUCH MATERIAL REMAINING THE PROPERTY OF THE CONTRACTOR ON COMPLETION, AND FOR ENSURING THAT THE WORKS AND ANY ADJACENT PROPERTIES ARE SAFE IN THE TEMPORARY CONDITION.



Rev	Description	Date	By	Chk	App



Alan Wood & Partners

Scarborough Office
Kingsley House
7 Pickering Road
West Ayton
Scarborough
YO13 9JE

Consulting Civil
& Structural Engineers
Project Managers
Building Surveyors

Hull
York
Lincoln
Sheffield
London

VIEW B - FOR ILLUSTRATIVE
PURPOSES ONLY

Project:	PROPOSED EXTENSION AT WILF NOBLE BUILDING SUPPLIES, RUSWARP
Client:	WILF NOBLE BUILDING SUPPLIES Ltd.
Drawing:	PROPOSED CONCRETE PLANT VIEW B
Role:	S - STRUCTURAL ENGINEER
Drawing Status:	PLANNING
Job no.:	35127
Project Originator:	WILF - AWP - XX - XX - DR - S-0101