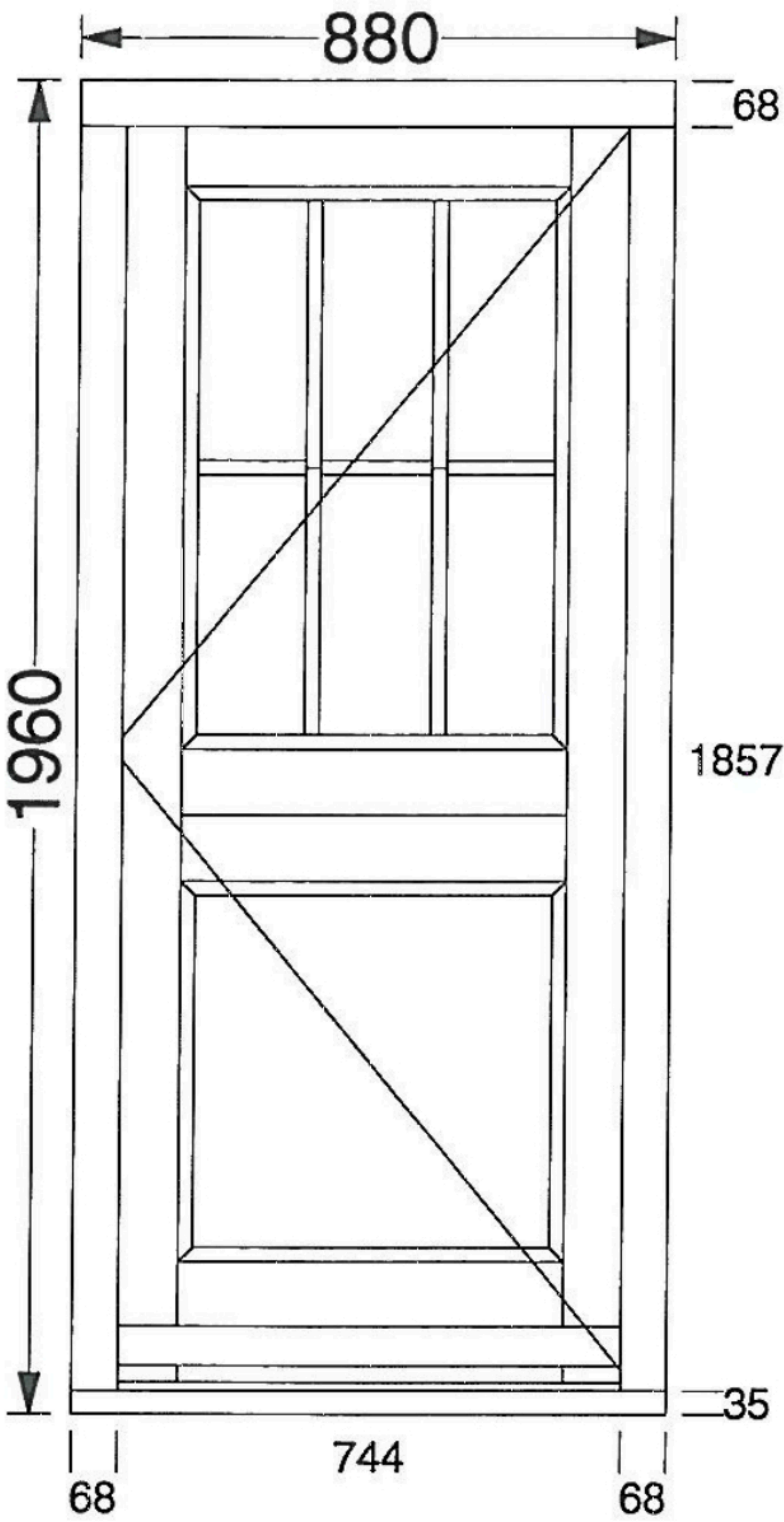




AMENDED

NYMNP  
15/07/2022



### FRAME COMPONENT LIST

Qty.	Rough cut length	Width	Thickness	S/L	T
2	1960	1960	92	68	1875
					50



Upload to OneDrive

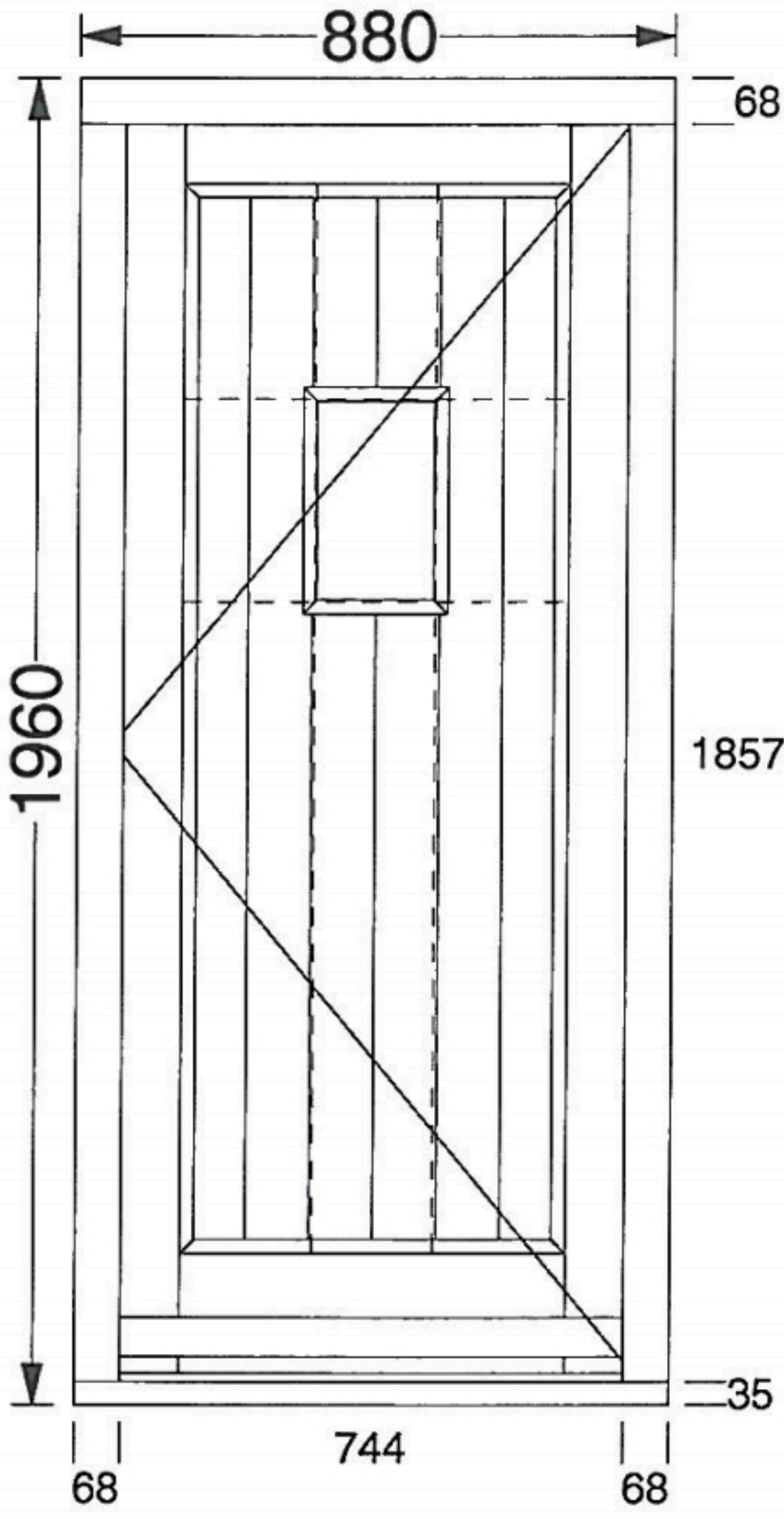




ometry item

AMENDED

NYMNP  
15/07/2022



**DOORFRAME COMPONENT LIST**

Qty.	Rough cut length	Width	Thickness	S/L	T/L
2	1960	1960	92	68	1875 50 35
1	880	880	92	68	
1	880	880	135	35	
1	4458	4458			

**VERTICAL SETTING OUT**




Upload to OneDrive

