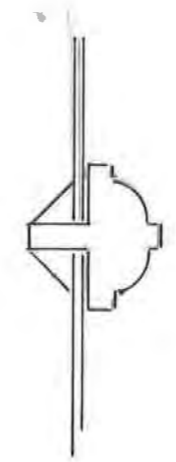
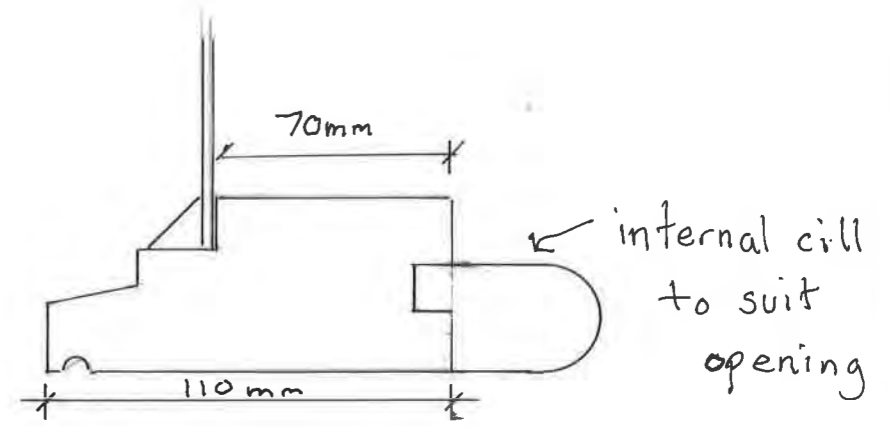
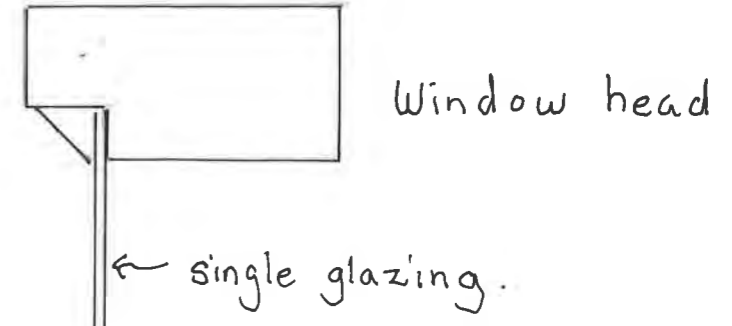


first floor bedroom window
fixed light. Scale 1:5



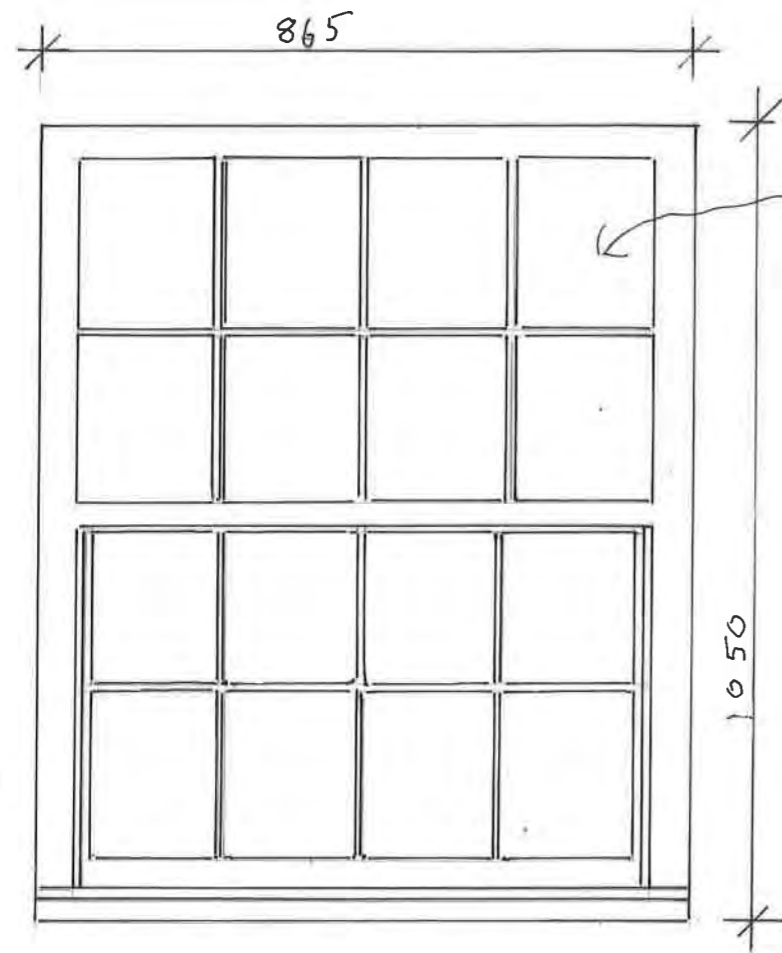
Typical bead detail
Scale 1:1

NYMNPA
01/09/2022

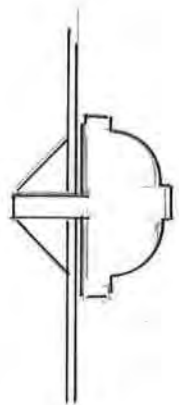


Cill detail. 1:2

Replacement first floor window
Endways, Silver Street
Robin Hoods Bay
Ref NYM/2021/0946

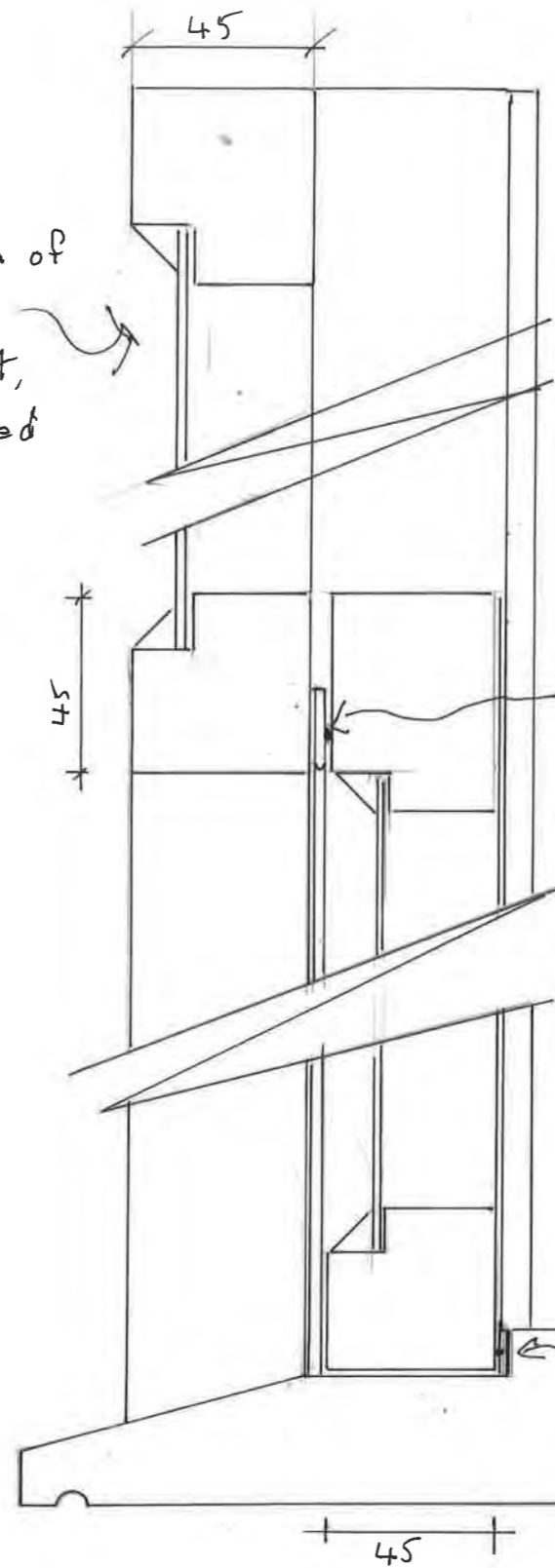


Ground floor kitchen window
Scale 1:5.

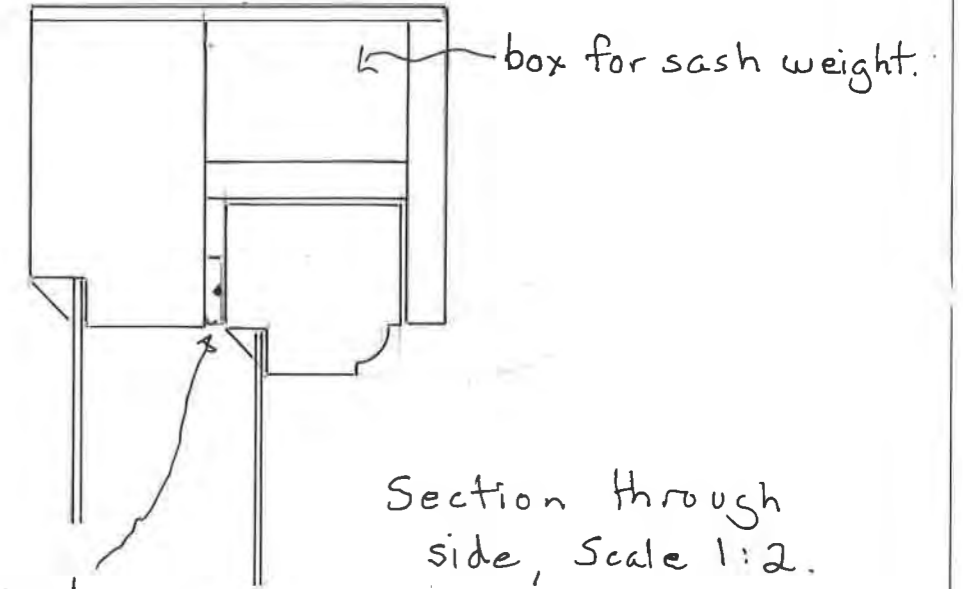


typical cross
section of
bead

Top section of
sash is a
fixed light,
fan removed



Section through window
Scale 1:2.



partition bead
draft strip

NYMNP
01/09/2022

partition bead
draft strip

Proposed kitchen window
Endways, Silver Street
Robin Hood's Bay
Ref, NYM/2021/0946