

DO NOT SCALE FROM THIS DRAWING

Square Lead Weights 45mm

Glazing Bead 10mm x 15mm

Internal Glazing Bar 18mm x 20mm

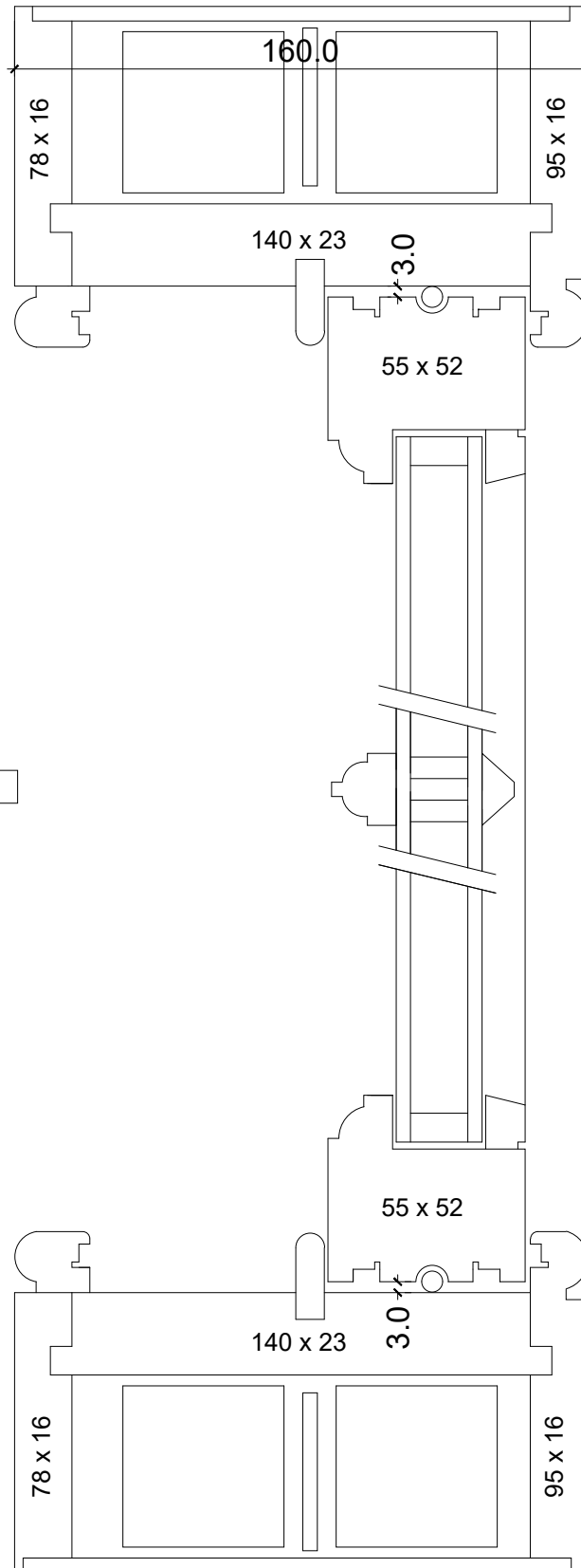
External Glazing Bar 9mm x 20mm

NYMNPA

30/08/2022

Parting Bead 8mm x 21mm

Staff Bead 21mm x 16mm



Norton Joinery Limited  
Derwent Road  
York Road Industrial Park  
Malton  
North Yorkshire  
YO17 6NW

t: 01653 692377  
f: 01653 696565  
e: mail@nortonjoinery.co.uk

**DOUBLE HUNG VERTICAL SLIDING SASH BOX  
FRAMED WINDOW  
HORIZONTAL SECTION**

Sashes hung on weights & cords  
Conservation type glazing bars  
Glass Specification  
Outer Pane - 4mm Float  
Inner Pane - 4mm Planitherm Total  
Cavity - 16mm Argon Gas  
Warm Edge Spacer

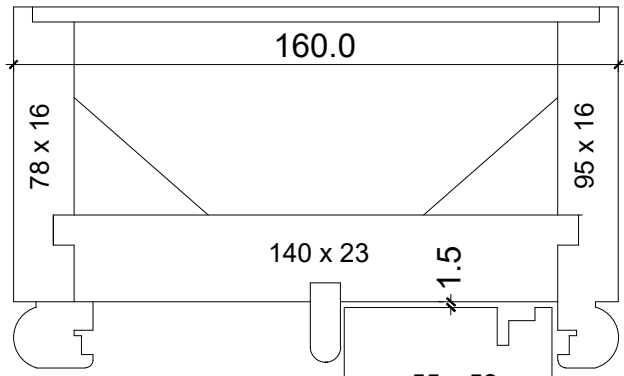
Scale 1:2 @ A4

Date 04.01.2022

Drawn / Checked R.W. / S.J.

Drawing No. WINDOW-04

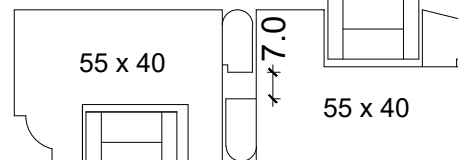
DO NOT SCALE FROM THIS DRAWING



Parting Bead 8mm x 21mm

Sash Glazing Rebate 37mm x 15mm

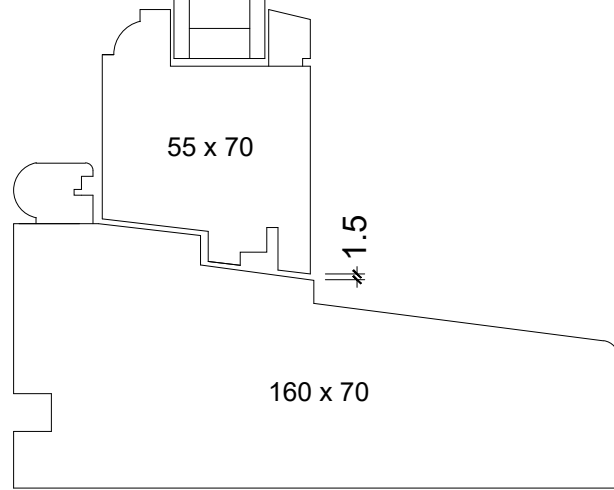
Glazing Bead 10mm x 15mm



Meeting Rail Groove 28mm x 15mm

NYMNPA

30/08/2022



Staff Bead 21mm x 16mm

10mm x 10mm



Norton Joinery Limited  
 Derwent Road  
 York Road Industrial Park  
 Malton  
 North Yorkshire  
 YO17 6NW  
 t: 01653 692377  
 f: 01653 696565  
 e: mail@nortonjoinery.co.uk

**DOUBLE HUNG VERTICAL SLIDING SASH BOX  
 FRAMED WINDOW  
 VERTICAL SECTION**

Sashes hung on weights & cords  
 Conservation type glazing bars  
Glass Specification  
 Outer Pane - 4mm Float  
 Inner Pane - 4mm Planitherm Total  
 Cavity - 16mm Argon Gas  
 Warm Edge Spacer

Scale 1:2 @ A4

Date 04.01.2022

Drawn / Checked R.W. / S.J.

Drawing No. WINDOW-03

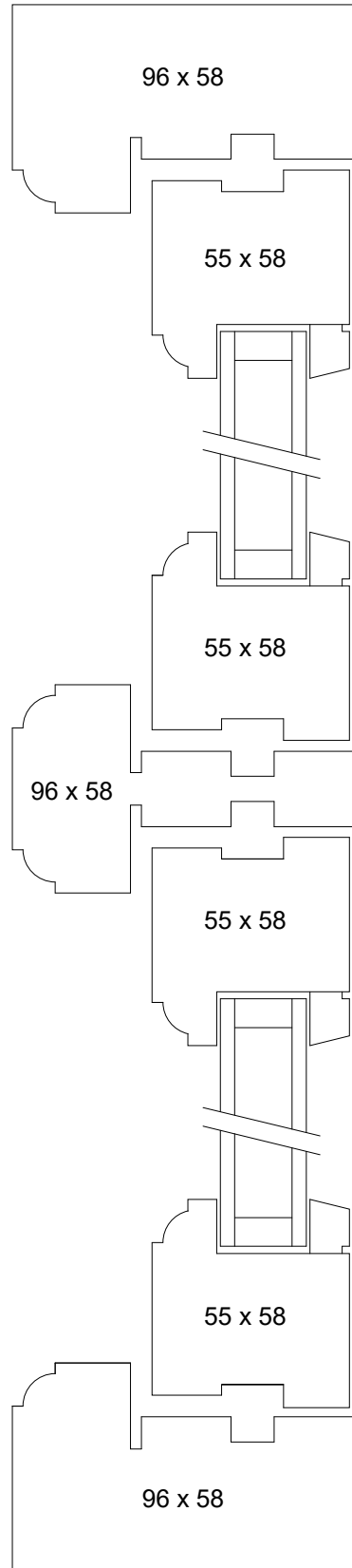
DO NOT SCALE FROM THIS DRAWING

Frame Rebate 62mm x 16mm

Sash Rebate 37mm x 16mm

NYMNPA

30/08/2022



**CASEMENT SECTION WINDOW**  
**HORIZONTAL SECTION**

Conservation type glazing bars

Glass Specification

Outer Pane - 4mm Float

Inner Pane - 4mm Planitherm Total

Cavity - 16mm Argon Gas

Warm Edge Spacer

Scale 1:2 @ A4

Date 04.01.2022

Drawn / Checked R.W. / S.J.

Drawing No. WINDOW-02



Norton Joinery Limited t: 01653 692377  
Derwent Road f: 01653 696565  
York Road Industrial Park e: mail@nortonjoinery.co.uk  
Malton  
North Yorkshire  
YO17 6NW

DO NOT SCALE FROM THIS DRAWING

Frame Rebate 62mm x 16mm

NYMNPA

30/08/2022

Glazing Bead 10mm x 15mm

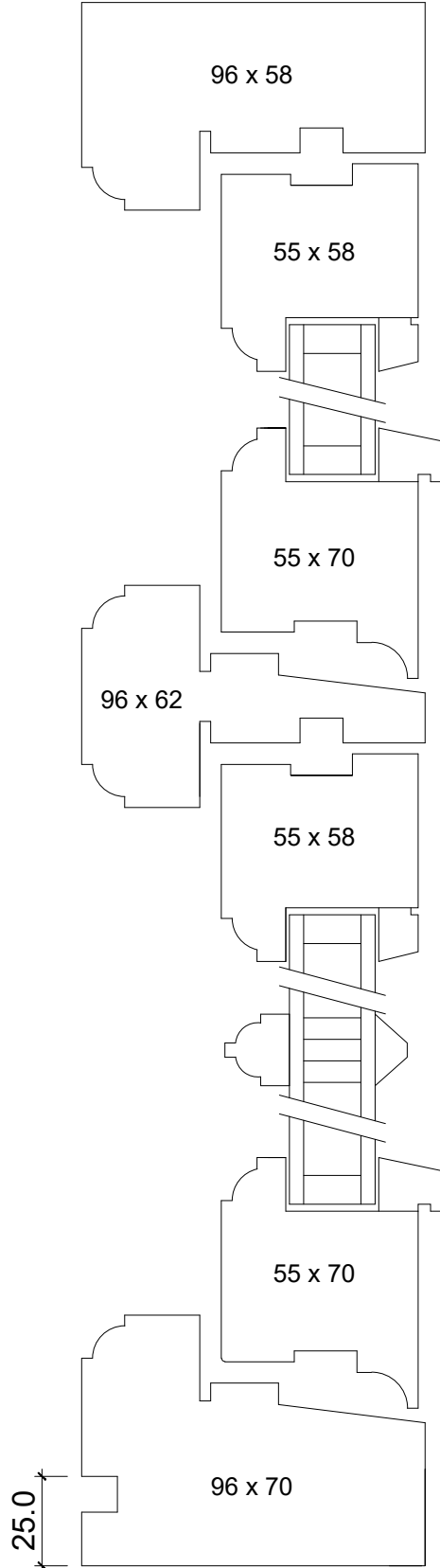
Internal Glazing Bar 18mm x 20mm

External Glazing Bar 9mm x 20mm

Projecting Glazing Bead 20mm x 15mm

Sash Glazing Rebate 37mm x 16mm

10mm x 10mm



Norton Joinery Limited  
Derwent Road  
York Road Industrial Park  
Malton  
North Yorkshire  
YO17 6NW

t: 01653 692377  
f: 01653 696565  
e: mail@nortonjoinery.co.uk

**CASEMENT SECTION WINDOW**  
**VERTICAL SECTION**

Conservation type glazing bars  
Glass Specification  
Outer Pane - 4mm Float  
Inner Pane - 4mm Planitherm Total  
Cavity - 16mm Argon Gas  
Warm Edge Spacer

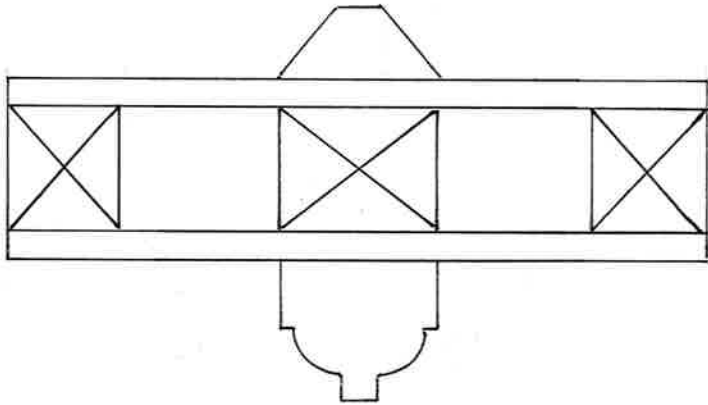
1:2 @ A4

Date 04.01.2022

Drawn / Checked R.W. / S.J.

Drawing No. WINDOW-01

NYMNP  
30/08/2022



**Notes**

**Clients**

**Location**

**Project**

<b>Scale</b> FULL SIZE	<b>Date</b> 21/10/20
---------------------------	-------------------------

<b>Drawing No.</b> 1	<b>Revision</b> A
-------------------------	----------------------

**Drawn By** PHILIP HODGSON



Norton Joinery Limited  
Derwent Road, York Road Industrial Park  
Malton, North Yorkshire YO17 6NW  
t. 01653 692377 f. 01653 696565  
e. mail@nortonjoinery.co.uk  
www.nortonjoinery.co.uk