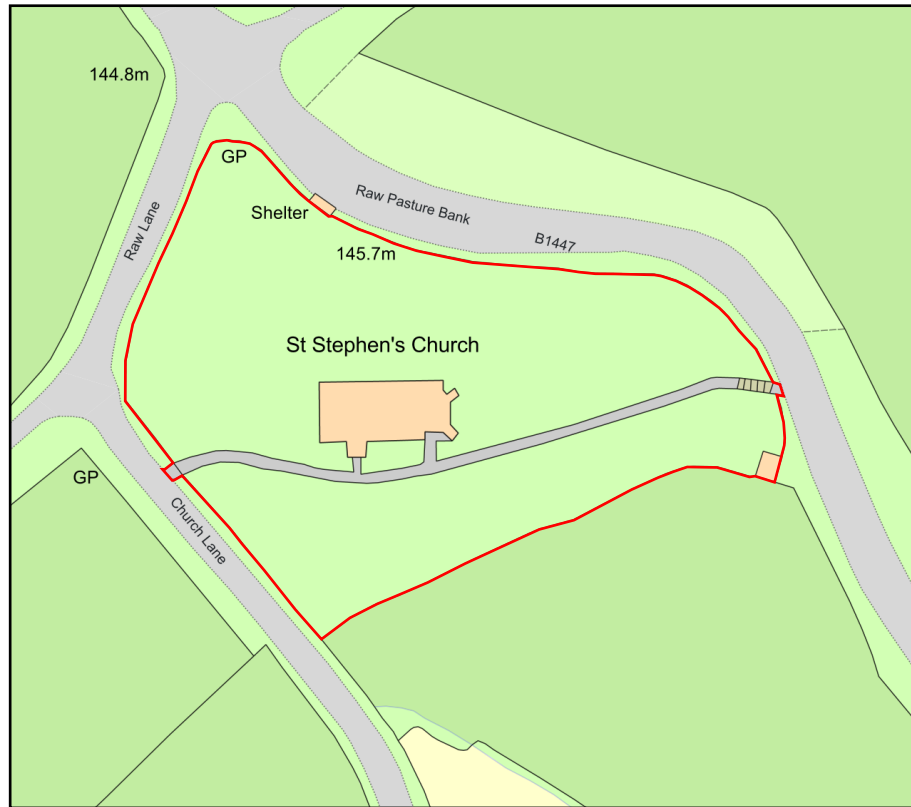
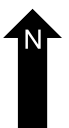
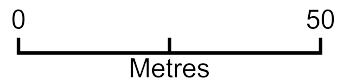


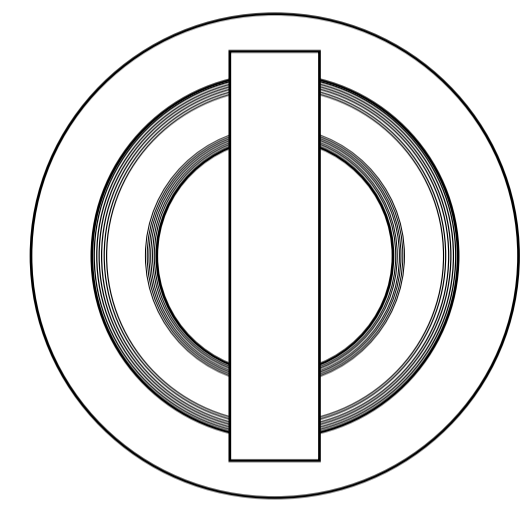
Old St Stephens Church, Raw Pasture Bank, Fylingdales, Whitby YO22 4PQ



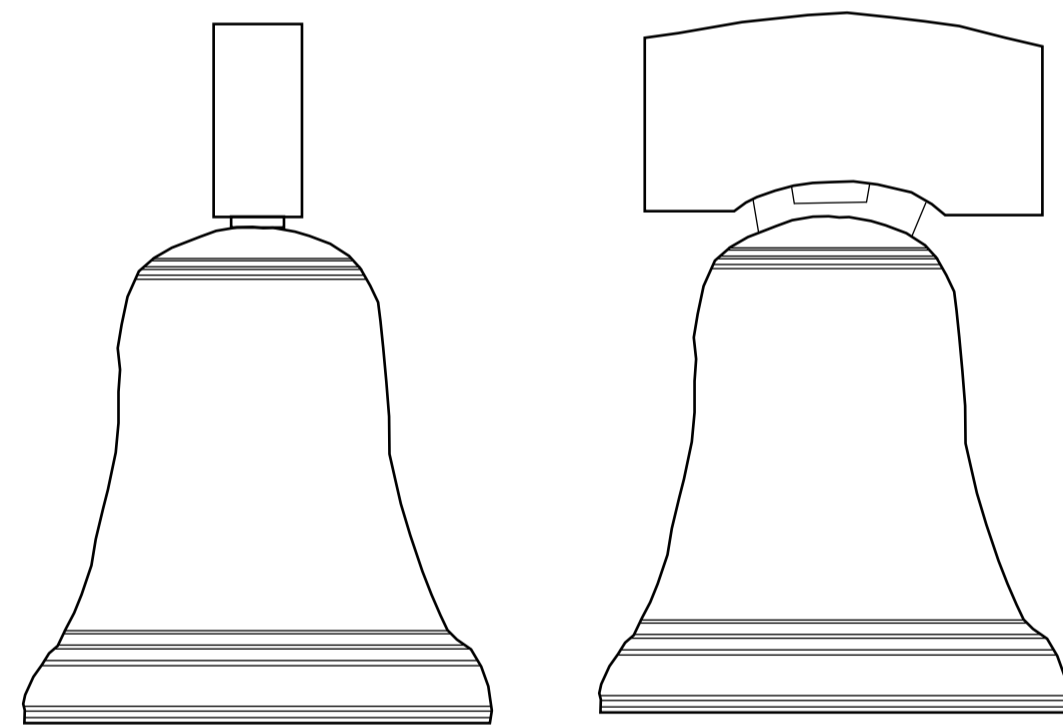
NYMNPA
07/09/2022



Plan Produced for: DPAD Ltd
Date Produced: 07 Sep 2022
Plan Reference Number: TQRQM22250004658065
Scale: 1:1250 @ A4

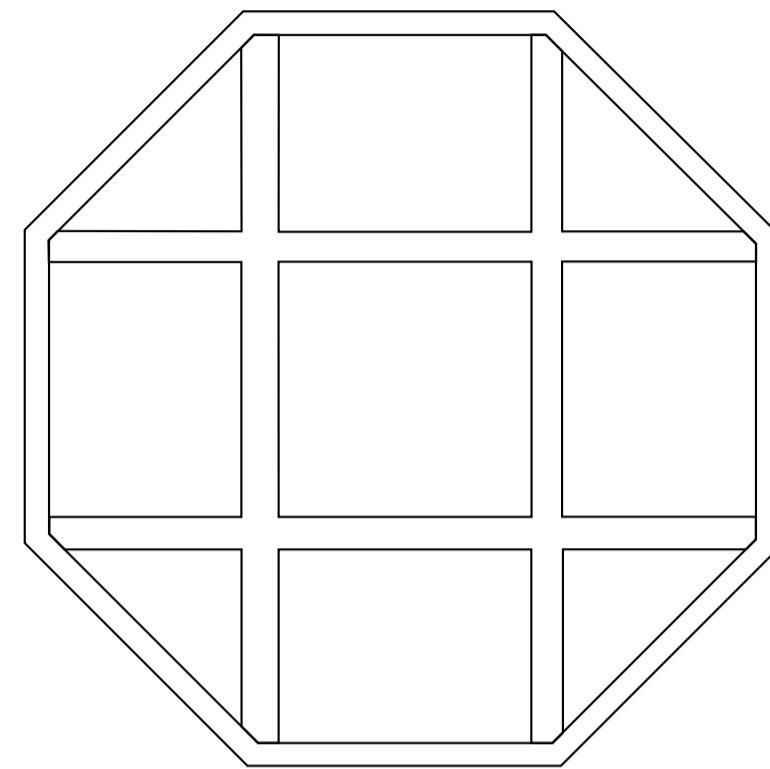


Bell Top View

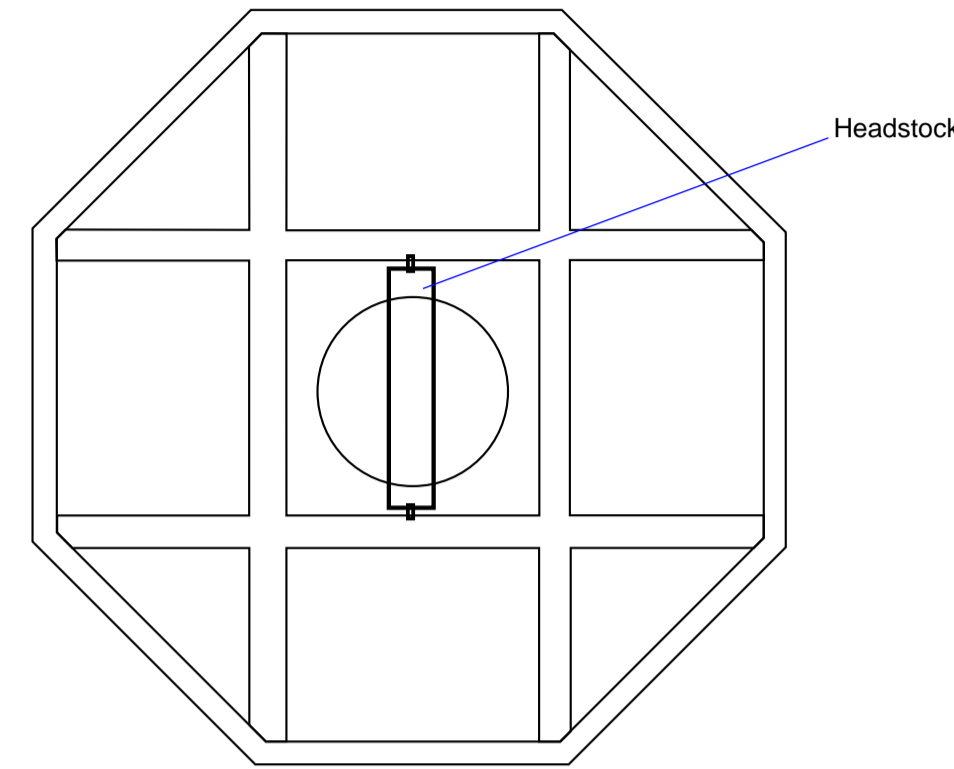


1:10

Bell Side View



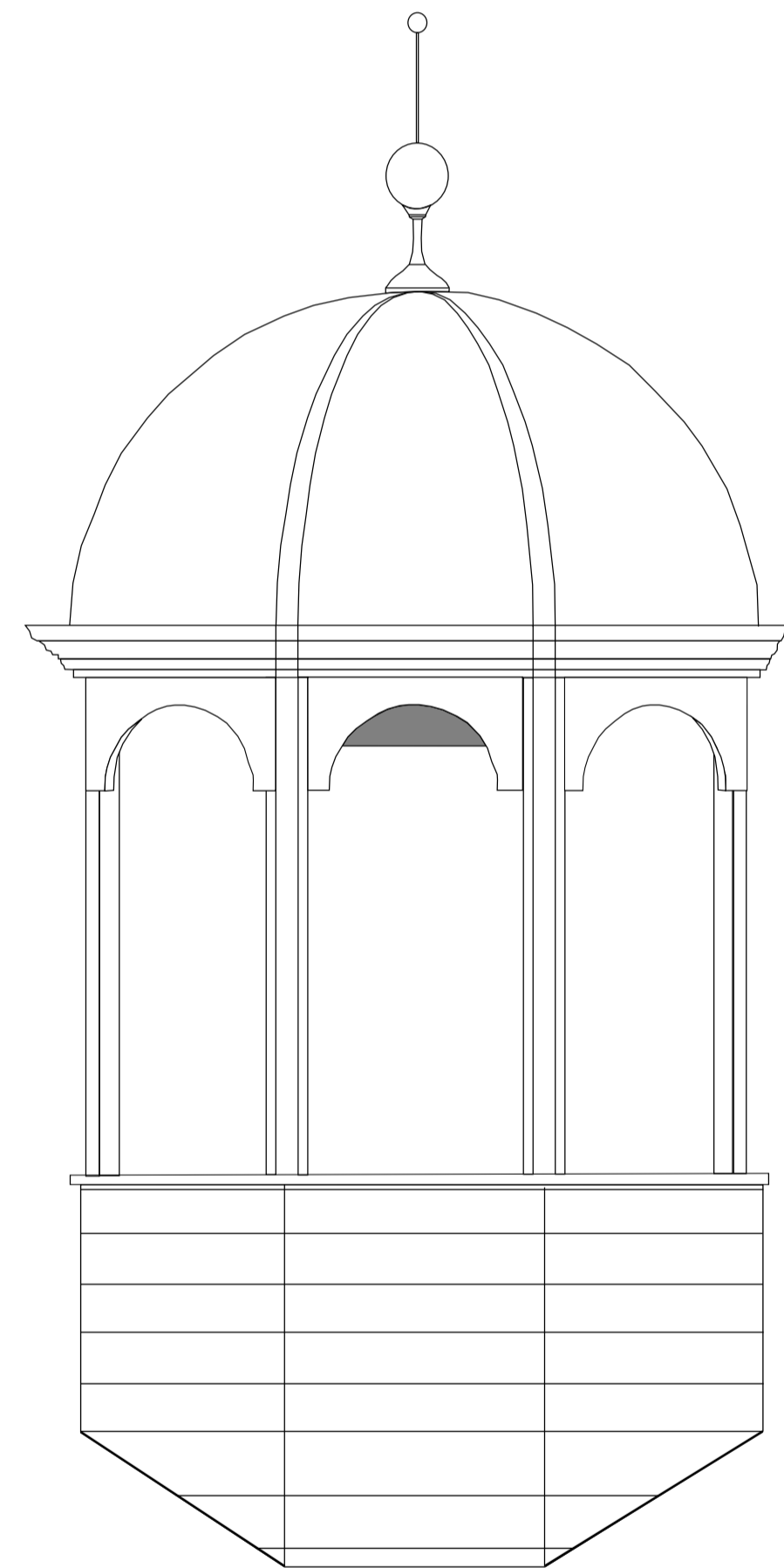
Bell Supports in Copla



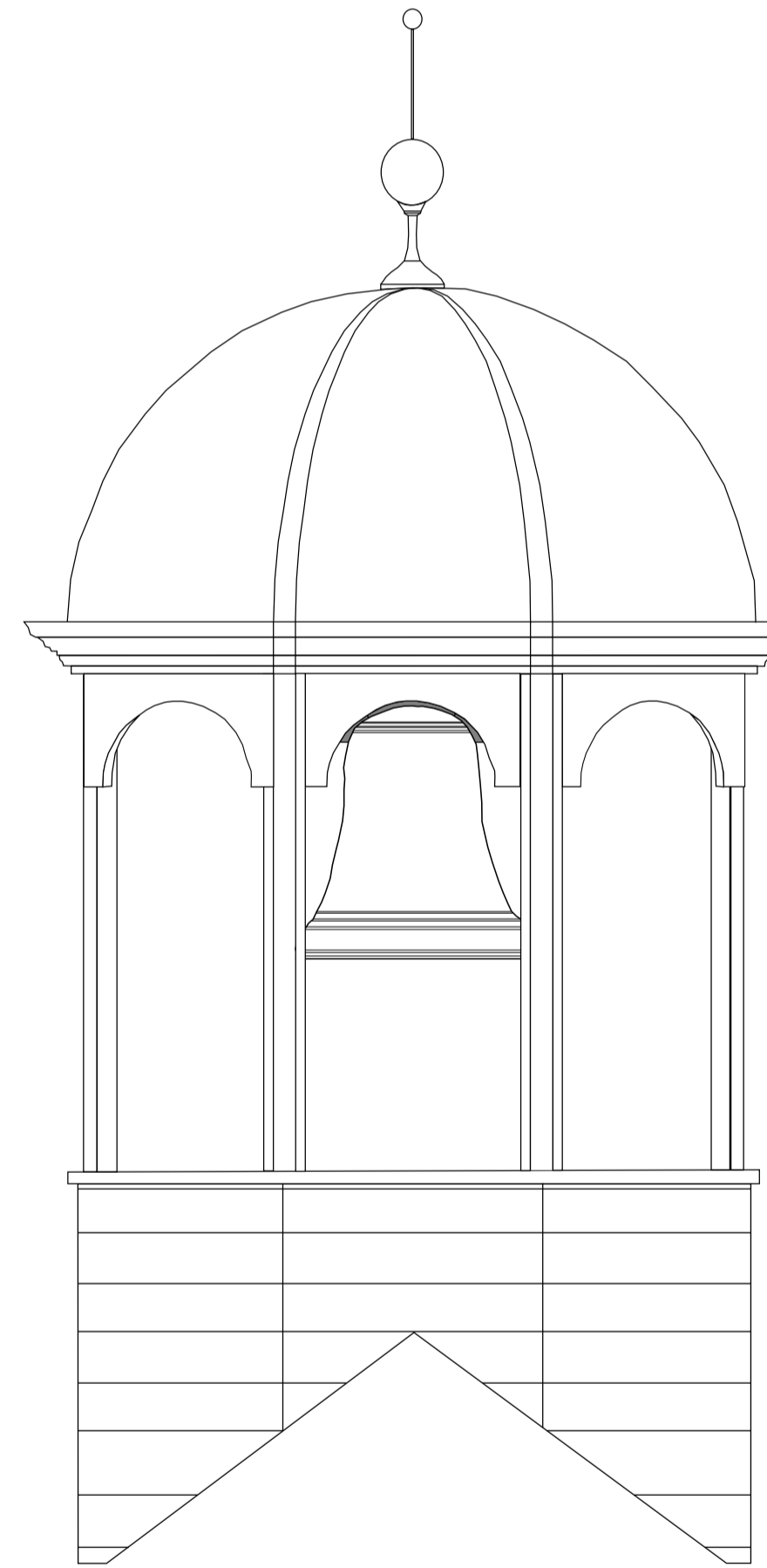
Bell Supports in Copla with Bell

NYMNPA

07/09/2022

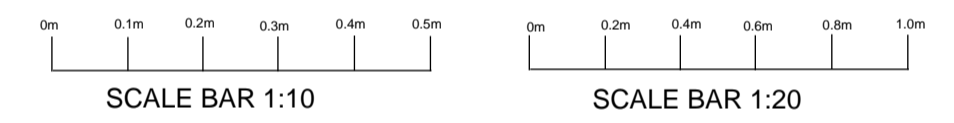


Side View



End View

1:20



Dev.
ST STEPHENS CHURCH, WHITBY ROAD,
WHITBY YO22 4PE
Client.
D.G.

Revisions.			
Rev	Date	Drawn	Checked



THIS DRAWING IS TO BE READ IN CONJUNCTION WITH SEPARATE SITE SPECIFIC CONSTRUCTION NOTES AND MATERIALS SPECIFICATION.

Drawing.
PLANNING DETAILS - CUPOLA, BELL &
HEADSTOCK
Date. SEPT 2022

Scale. 1:10 & 1:20 @ A1

Area: Drawn / RJD
Checked:

Dwg No.
DPD/2022/013/CUPOLA