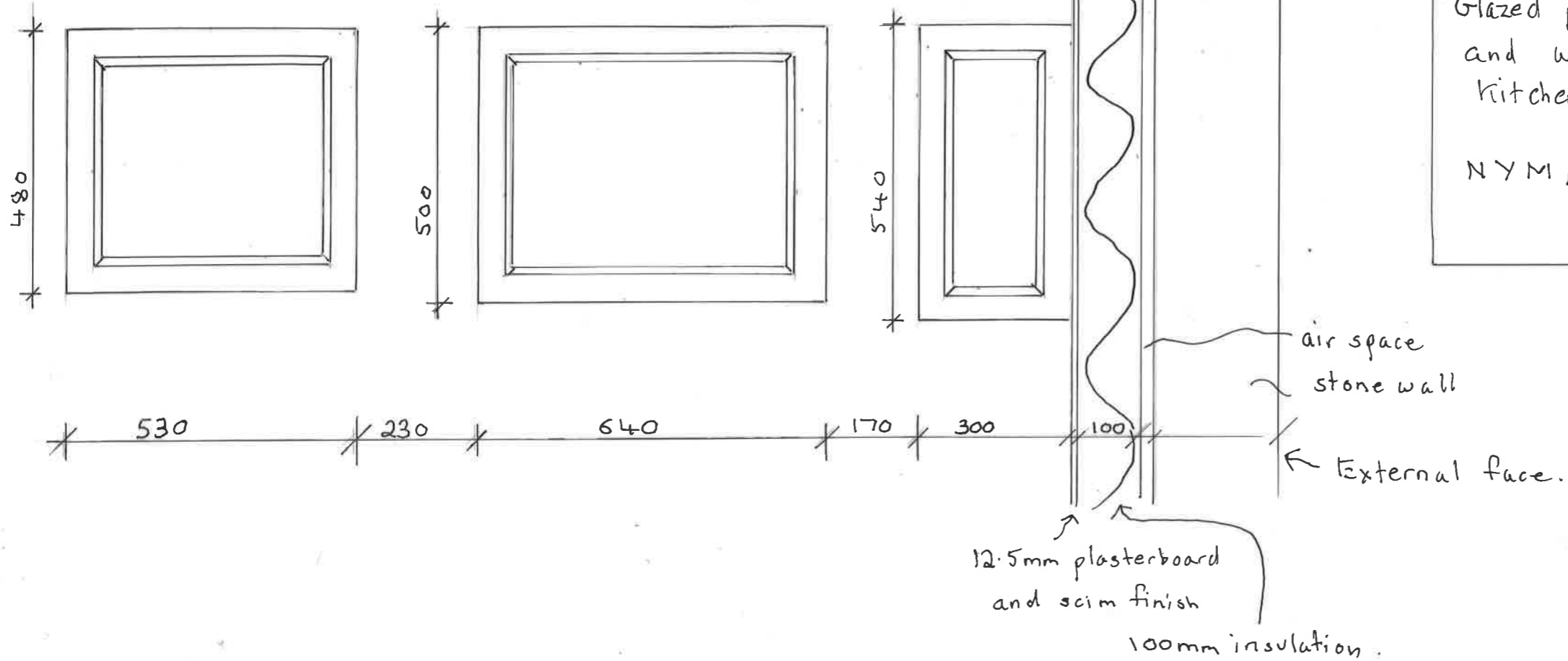


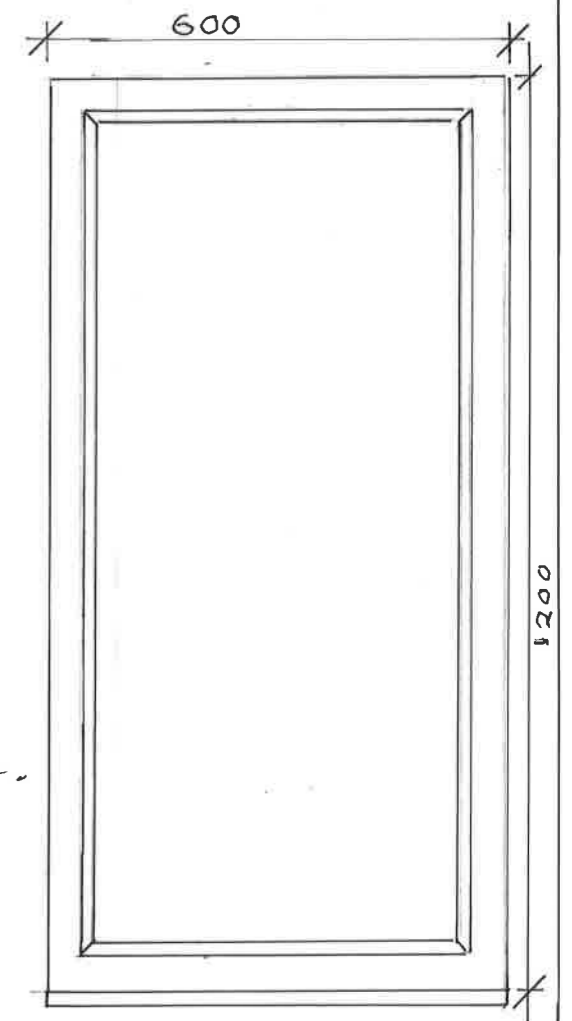
Glazed window infill to hoppe feeders Scale 1:10



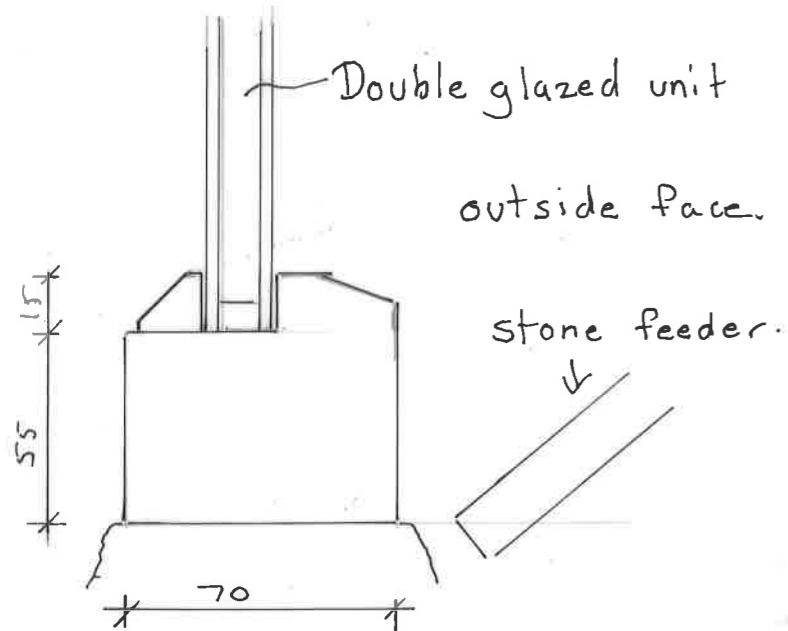
Foulsyke House, Fylingdales

Glazed panels to hopper feeder and window to lobby between kitchen and lounge

NYM/2021/0881.



Window to lobby, Scale 1:10



Cill, Scale 1:2.

Average size of opening shown. Timber frame will be cut to suit each opening.

New glazed units to keep the stone chute feature. It is therefore proposed to double glaze to comply with Building Regulations.

Fixed lights, no openings.

NYMNPA

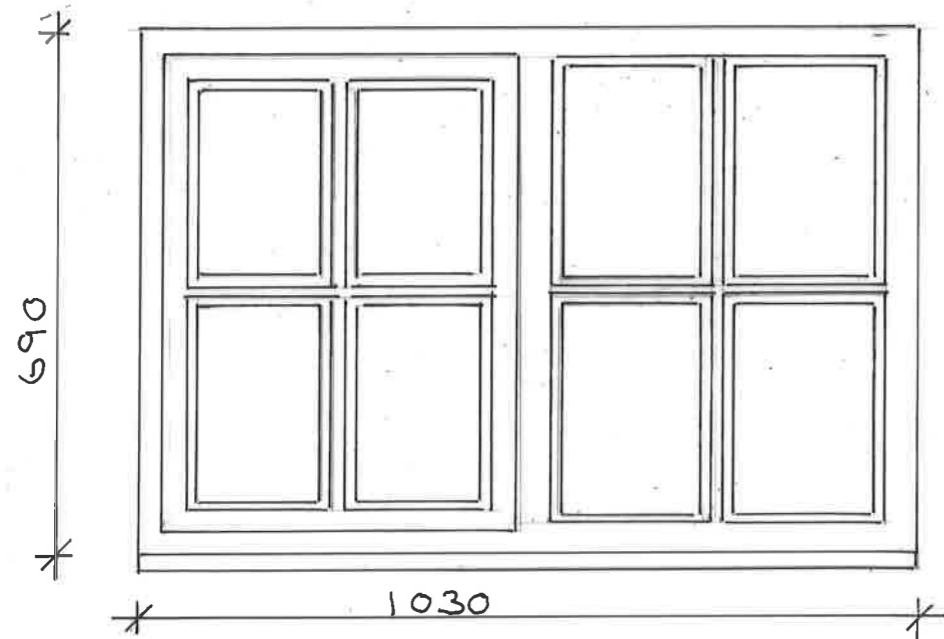
20/09/2022

Foulsyke House, Fylingthorpe
Replacement window to kitchen

NYM | 2021 | 0881.

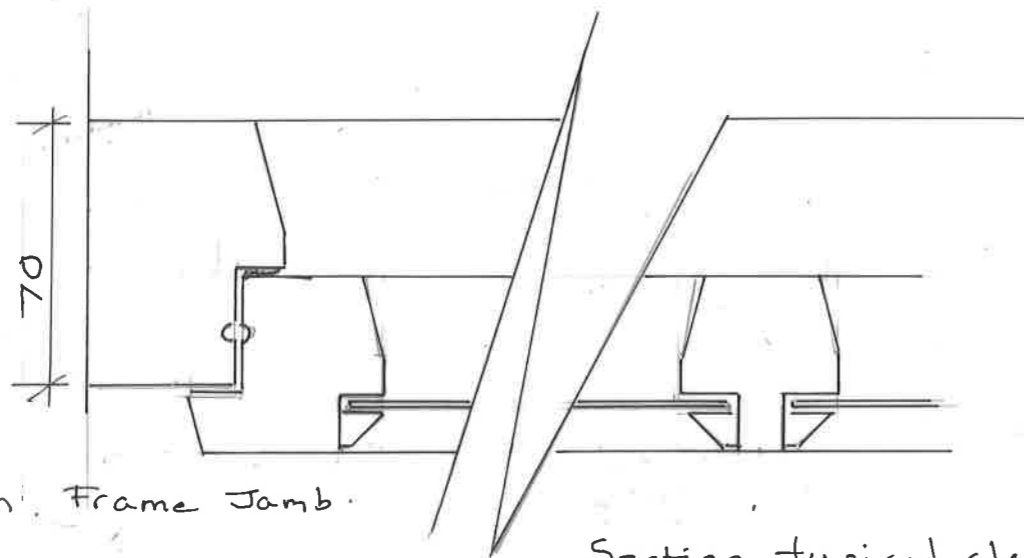
NYMNPA

20/09/2022



Replacement kitchen window
Scale 1:10

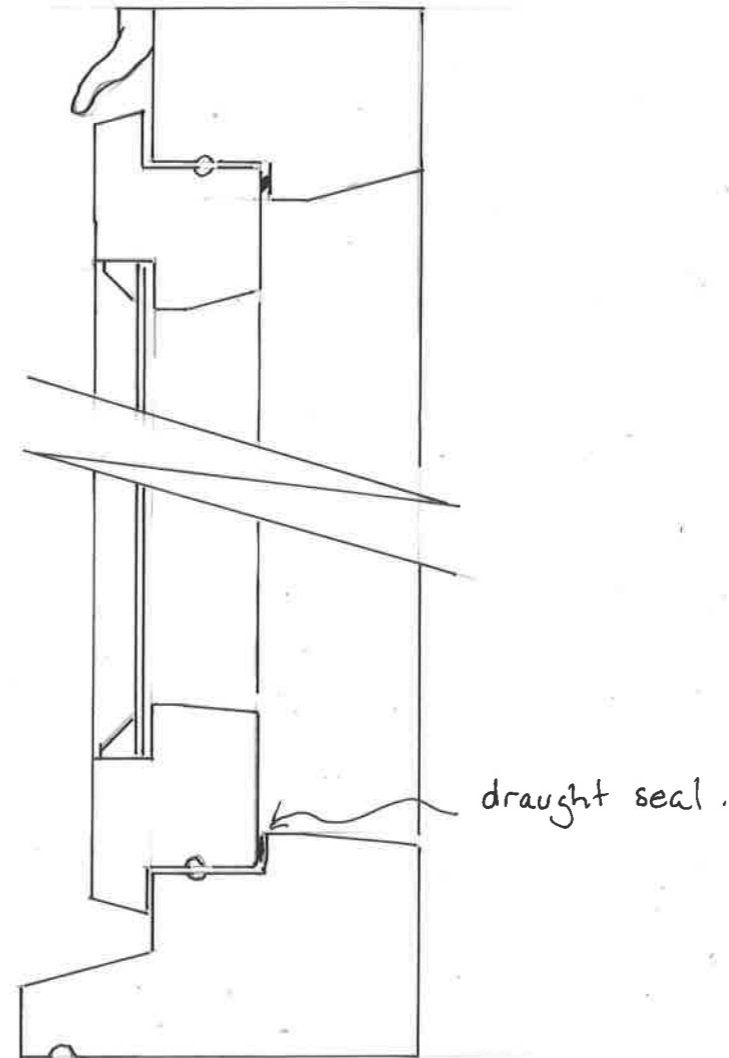
Storm proof sash to
match existing dwelling



Section Frame Jamb

Scale 1:2

Section, typical glazing
beads.



Section Cill
Scale 1:2.