

12/10/2022

Wendy Strangeway

From: Hannah Mayall
Sent: 12 October 2022 12:03
To: Planning
Subject: Re: NYM/2022/0548 - new CVC
Attachments: 20221010-1441.pdf

Importance: High

[You don't often get email from . Learn why this is important at
<https://aka.ms/LearnAboutSenderIdentification>]

Hello,

Please see the attached document with window details as asked for. I hope this is what you meant Please advise if this is not correct

Yours

hannah Mayall

> On 12 Sep 2022, at 13:31, planning@northyorkmoors.org.uk wrote:

>

> Reference: NYM/2022/0548.

>

> The North York Moors National Park Authority Planning Service welcomes public engagement in all aspects of its work. You have received this email in relation to a current planning matter. The attached correspondence contains important information which you are advised to retain for your records. If you have any queries, please do not hesitate to contact us. When replying it's best to quote our reference number, which is included in the attached letter.

>

> Kind regards

>

> Chris France

>

> Chris France

> Director of Planning

> North York Moors National Park Authority The Old Vicarage Bondgate

> Helmsley, York YO62 5BP

> Tel: 01439 772700

> <https://gbr01.safelinks.protection.outlook.com/?url=http%3A%2F%2Fwww.northyorkmoors.org.uk%2F&data=05%7C01%7Cplanning%40northyorkmoors.org.uk%7C5029c539975f462ff59d08daac420846%7C9274211af03b4a5ba0e0073114a9db0b%7C1%7C0%7C638011697345770291%7CUnknown%7CTWFpbGZsb3d8eyJWIjoiMC4wLjAwMDAiLCJQIjoiV2luMzliLCJBTiI6Iik1haWwiLCJXVCi6Mn0%3D%7C3000%7C%7C%7C&sddata=dVAhcT4%2BKonsUZAfkM30tLpRb6juQPMv5qnUG0fbMmU%3D&reser>

> [ved=0](https://gbr01.safelinks.protection.outlook.com/?url=http%3A%2F%2Fwww.northyorkmoors.org.uk%2F&data=05%7C01%7Cplanning%40northyorkmoors.org.uk%7C5029c539975f462ff59d08daac420846%7C9274211af03b4a5ba0e0073114a9db0b%7C1%7C0%7C638011697345770291%7CUnknown%7CTWFpbGZsb3d8eyJWIjoiMC4wLjAwMDAiLCJQIjoiV2luMzliLCJBTiI6Iik1haWwiLCJXVCi6Mn0%3D%7C3000%7C%7C%7C&sddata=dVAhcT4%2BKonsUZAfkM30tLpRb6juQPMv5qnUG0fbMmU%3D&reser)

>

>

>

> <0.png>

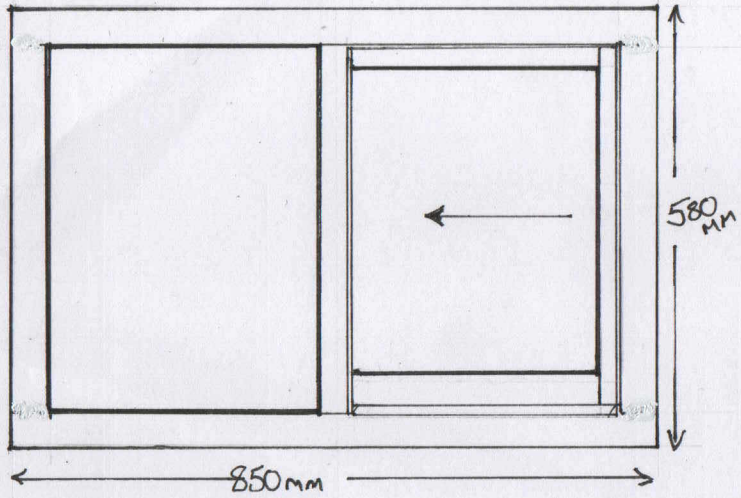
> Read the new Management Plan for the North York Moors National Park

>

>

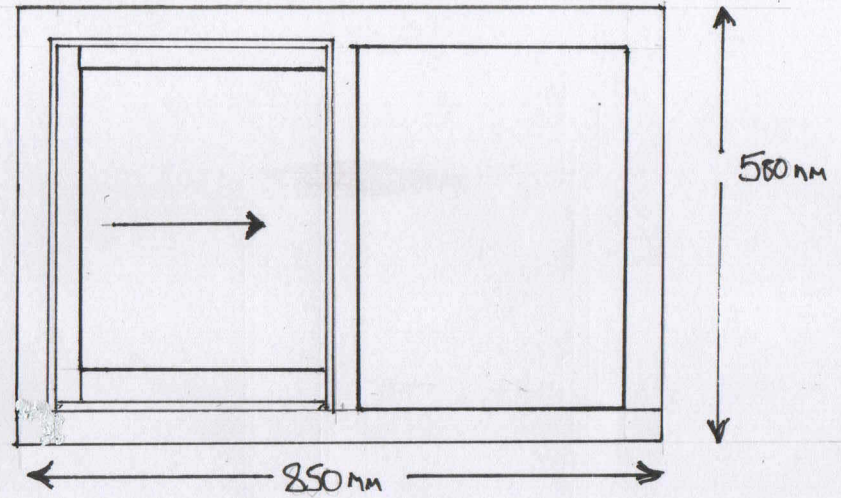
> CONFIDENTIALITY: The contents of this message are the views of the author, not necessarily the views of the North York Moors National Park Authority. This is a private message intended for the named addressee(s) only. Its contents may be confidential.

EXISTING LANDING WINDOW



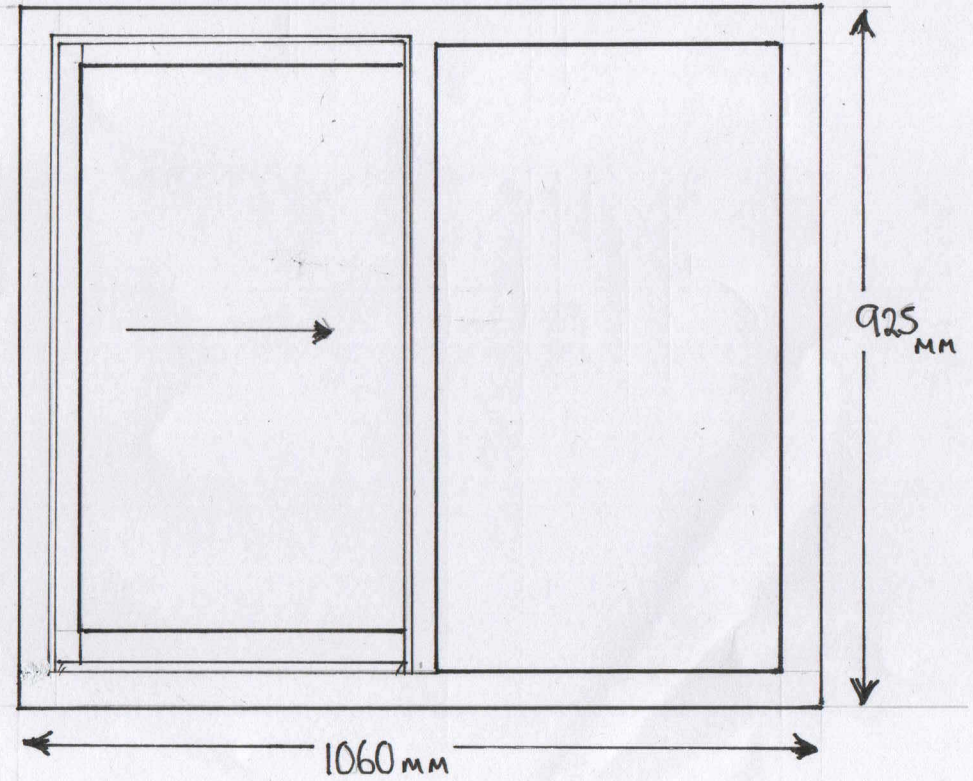
NYMNP
12/10/2022

PROPOSED 1st Floor BATHROOM WINDOW

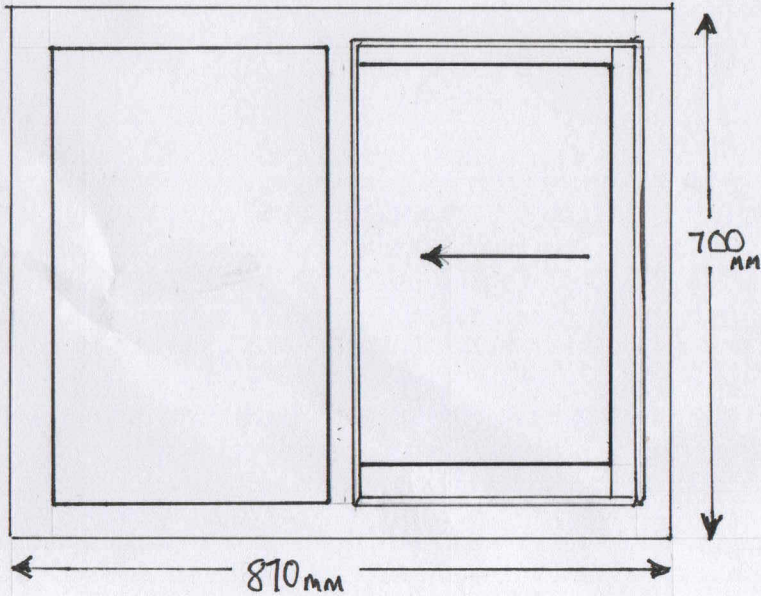


SCALE 1:10

PROPOSED GROUND FLOOR KITCHEN



PROPOSED GROUND FLOOR LOUNGE



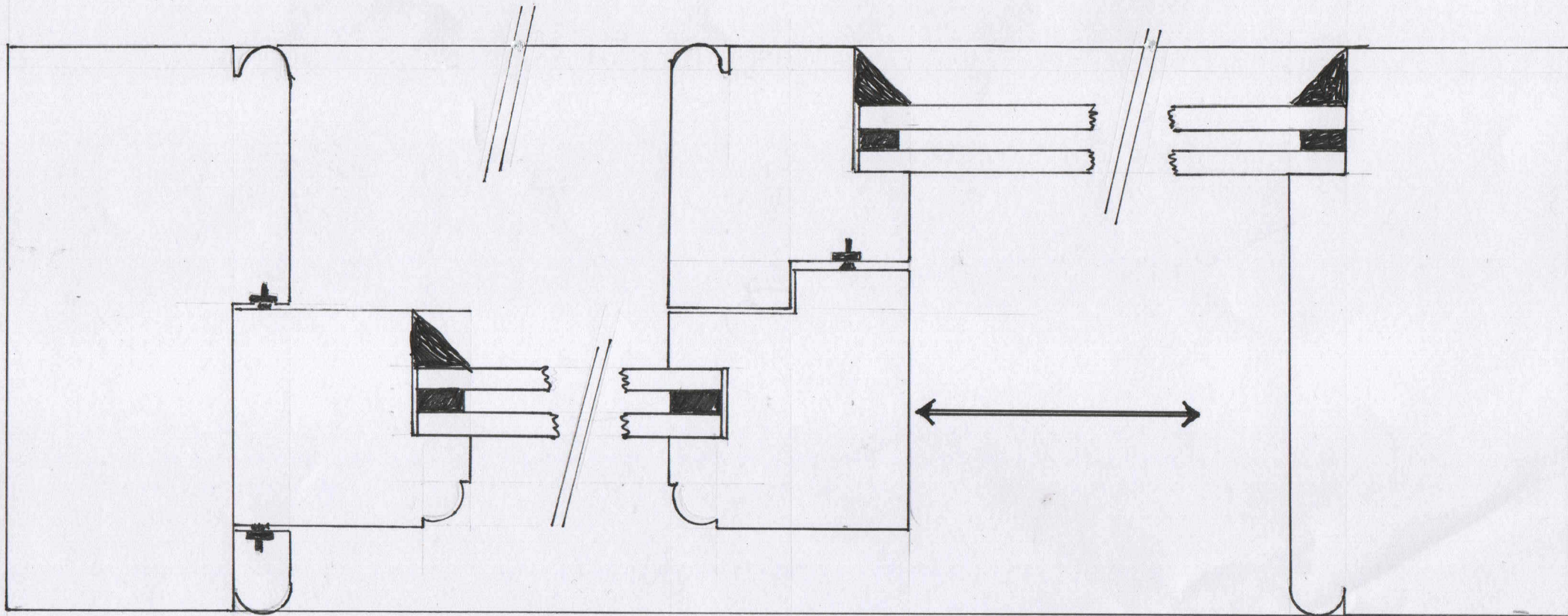
M LAWROCK

NYMNP

12/10/2022

OUTSIDE

SCALE 1:1



COACH HOUSE COTTAGE

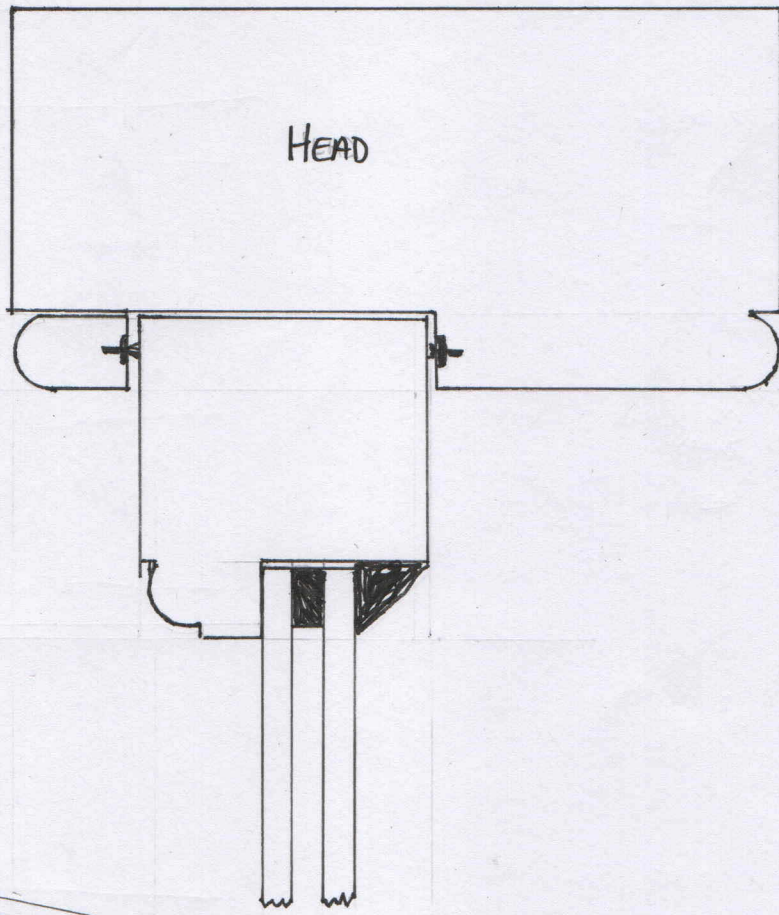
ROBIN WOOD'S BAY

OCT 2022

M LAYCOCK

NYMNP

12/10/2022



OUTSIDE

SCALE 1:1

