
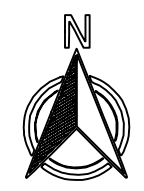
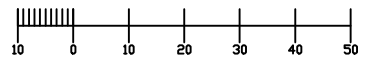
	INDICATES APPLICATION SITE
	INDICATES SITE BOUDARY

NYMNP
31/01/2023



Produced on 21 January 2023 from the Ordnance Survey National Geographic Database and incorporating surveyed revision available at this date.
This map shows the area bounded by 499289 491747,499489 491747,499489 491947,499289 491947,499289 491747
Crown copyright and database rights 2023 OS 100054135. Supplied by copla ltd trading as UKPlanningMaps.com a licensed Ordnance Survey partner (OS 100054135).
Data licence expires 21 January 2024. Unique plan reference: v4d/897849/1211895



SITE	
CUMBOOTS DAIRY FARM YO13 0PQ	
DRAWING TITLE	
BLOCK PLAN EXISTING	
SCALE	
1:1250 @ A3	
DRAWING No.	
CDF-JM-100	
DATE	REVISION
21/01/2023	-

Cumboots

LIVE STOCK
HOUSING

STABLES

UNCOVERED
YARD

Track

SILAGE
CLAMP

ARENA

LIVE STOCK
HOUSING

NYMNP

26/01/2023

SITE
**CUMBOOTS DAIRY FARM
YO13 0PQ**

DRAWING TITLE
**SITE PLAN
EXISTING**

SCALE
1:500 @ A3

DRAWING No.
CDF-JM-110

DATE
21/01/2023

REVISION
-

499289

499339

499389

499439

Cumboots

LIVE STOCK HOUSING

STABLES

UNCOVERED YARD

SILAGE CLAMP

ARENA

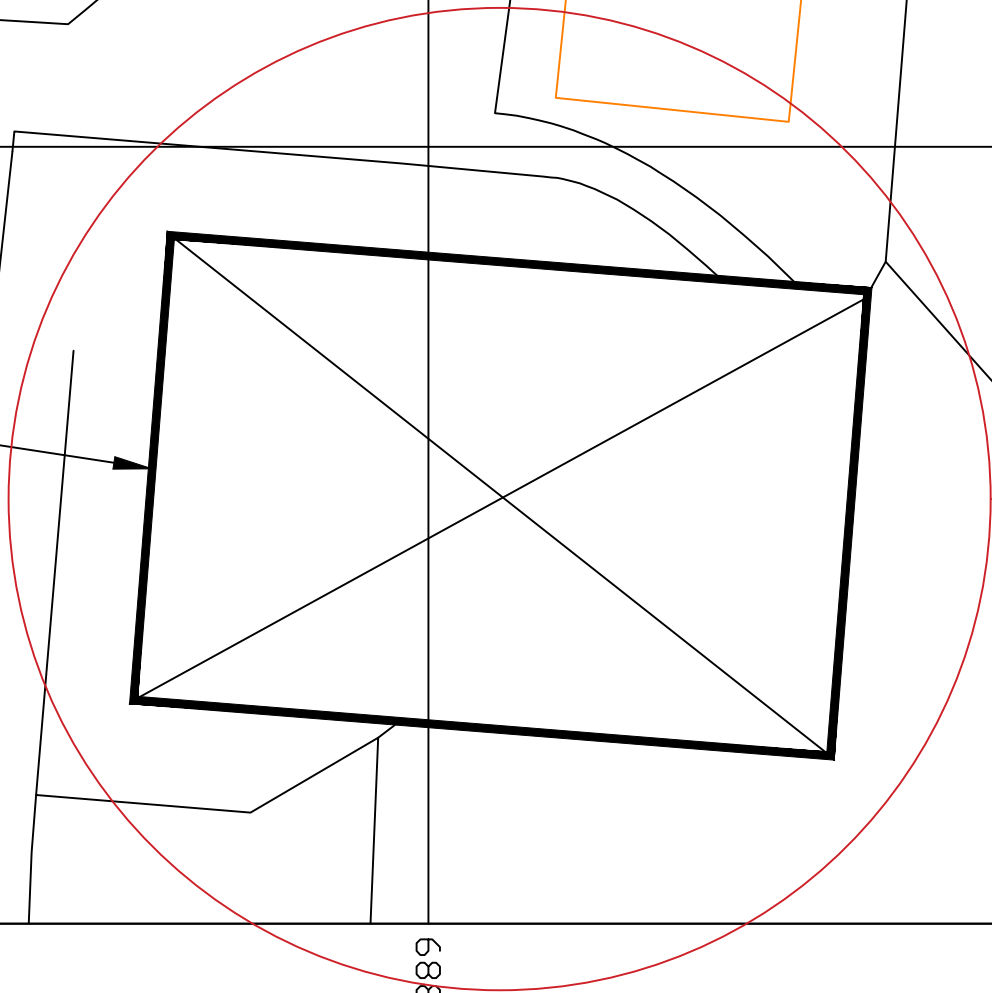
LIVE STOCK HOUSING

Track

NYMNP

26/01/2023

LOCATION OF NEW
EARTH BANK SLURRY
STORE
45m x 30m



SITE
**CUMBOOTS DAIRY FARM
YO13 0PQ**

DRAWING TITLE
**SITE PLAN
PROPOSED**

SCALE
1:500 @ A3

DRAWING No.
CDF-JM-111

DATE
21/01/2023

REVISION
-

1847

1797

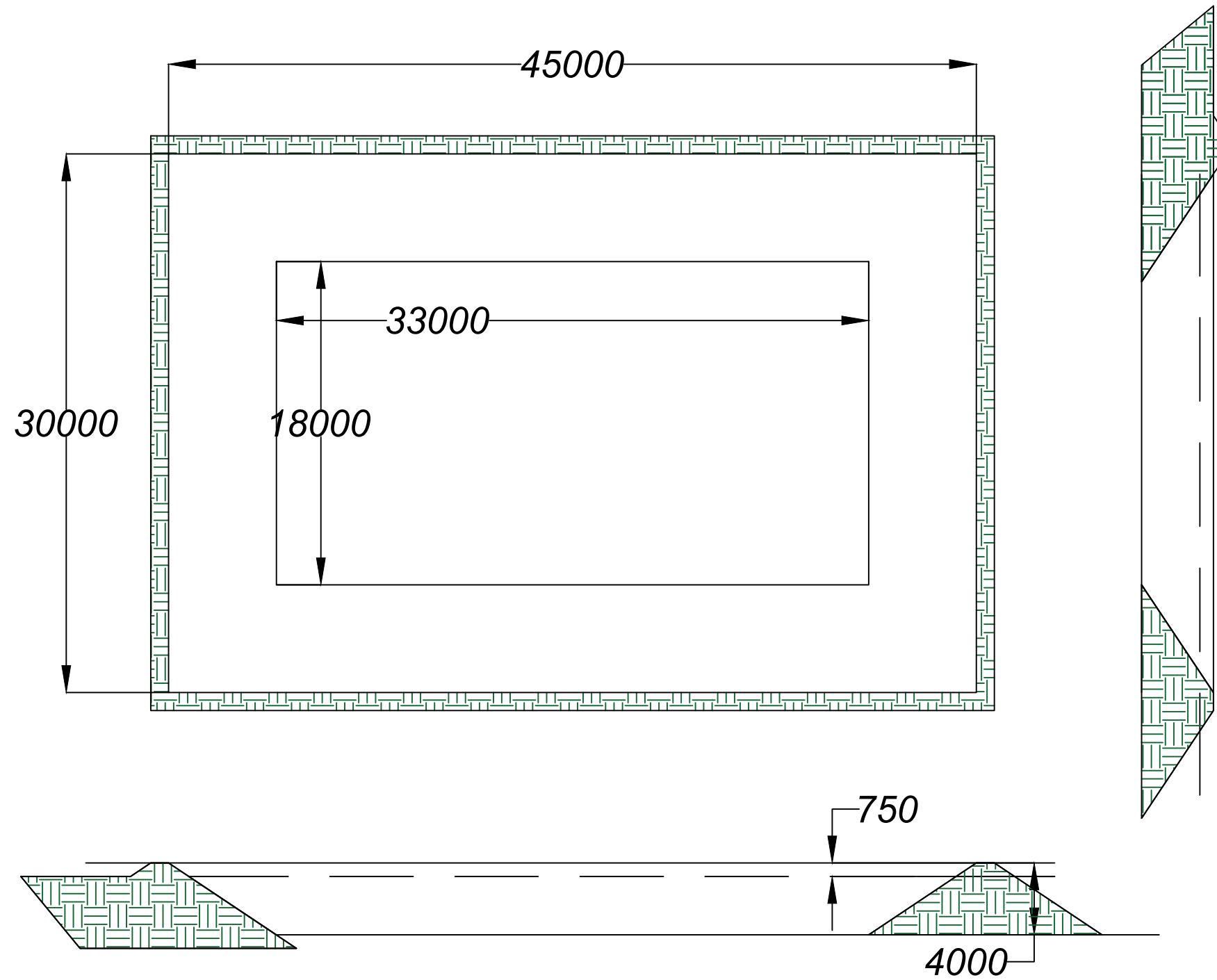
1747

499289

499339

499389

499439



Total Capacity - 3879m³
Working Capacity - 2842m³

NYMNPA
 26/01/2023

SITE	
CUMBOOTS DAIRY FARM YO13 0PQ	
DRAWING TITLE	
SLURRY LAGOON EARTH BANK STORE	
SCALE	
NTS @ A3	
DRAWING No.	
CDF-JM-121	
DATE	REVISION
21/01/2023	-