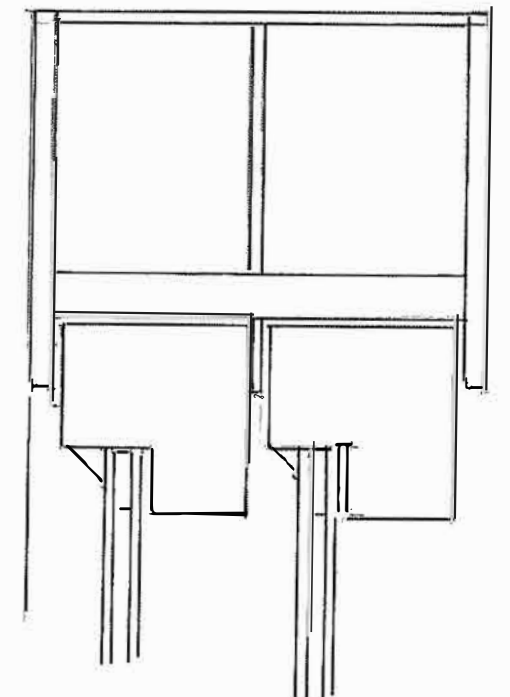
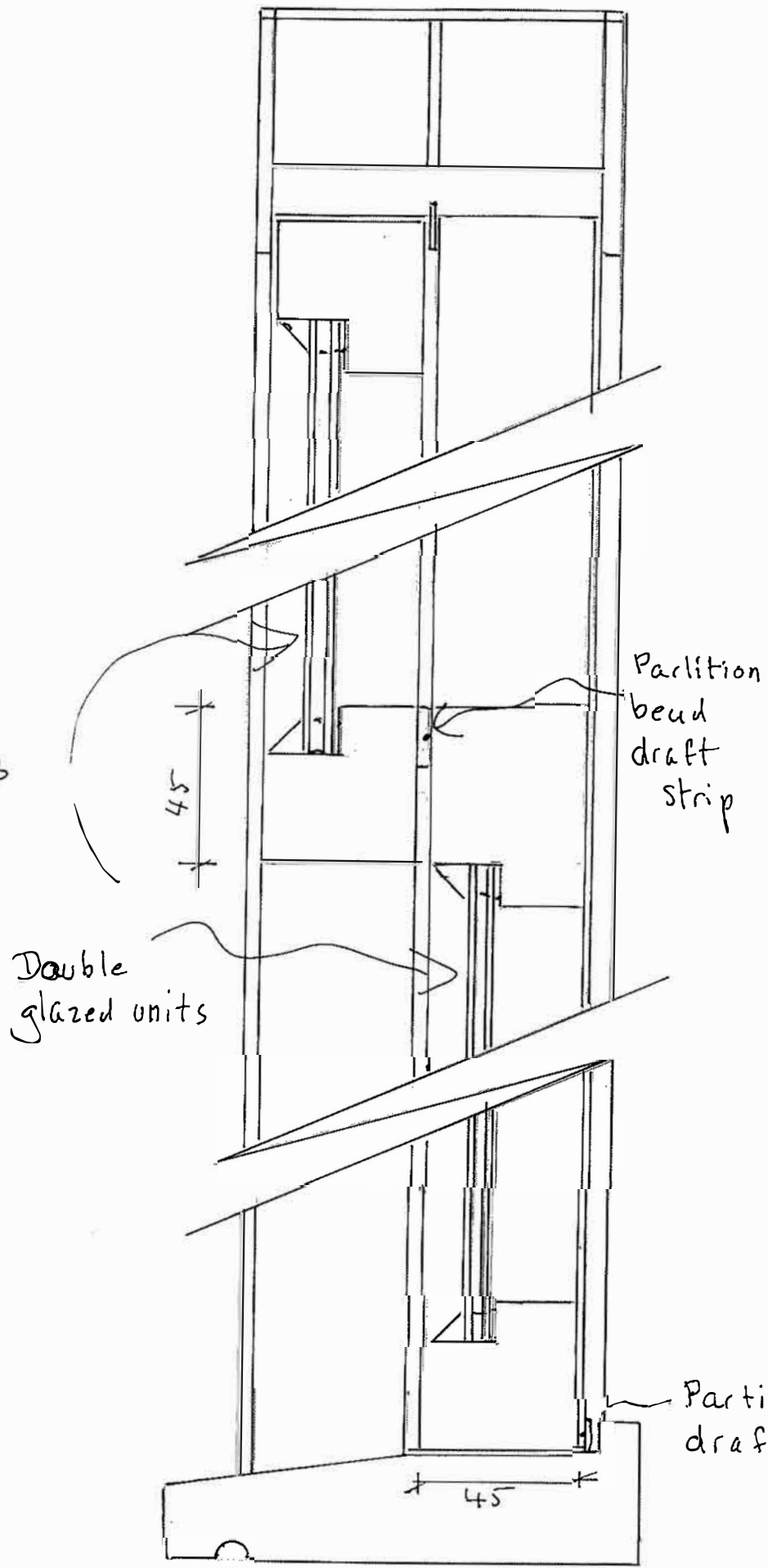
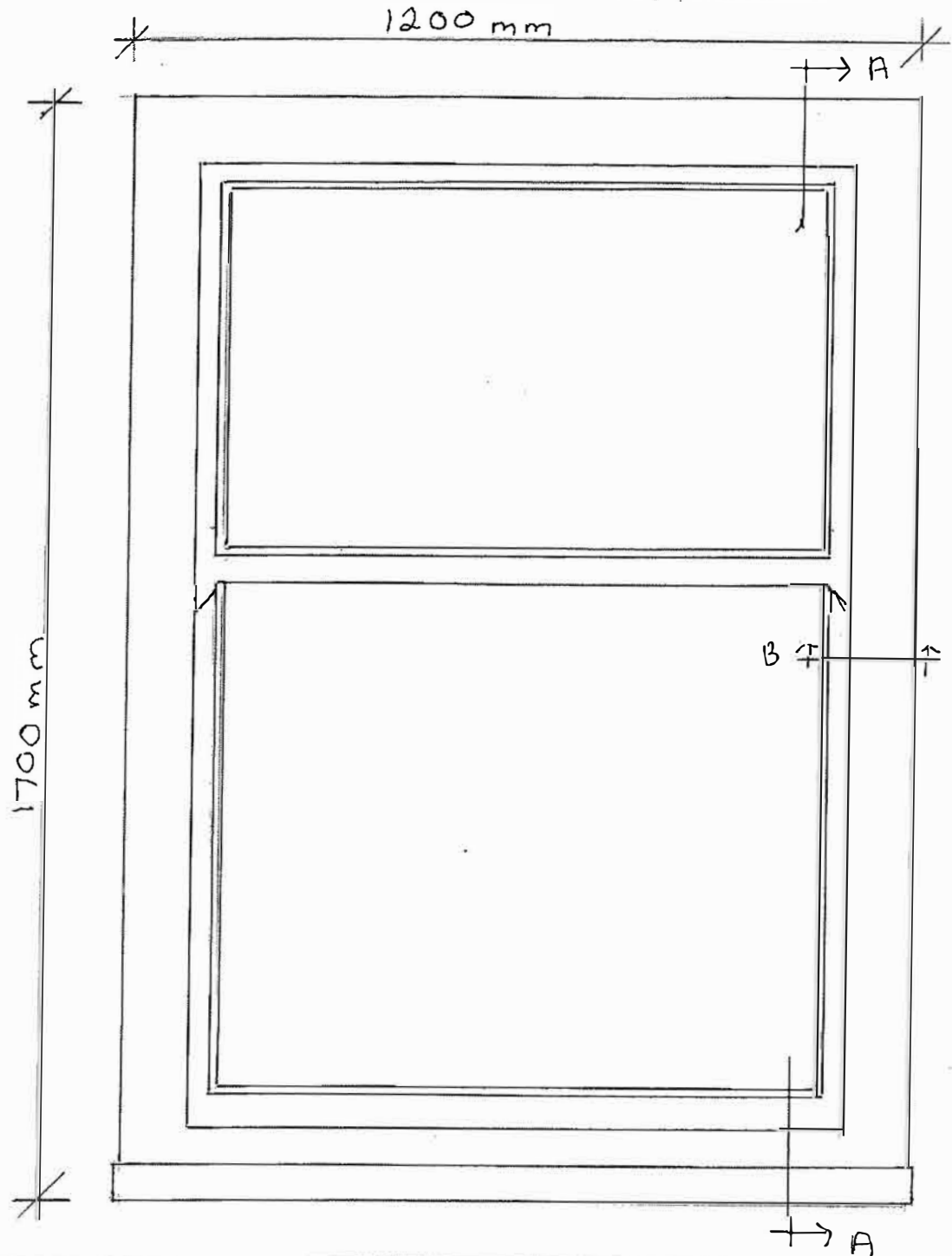


Kitchen and dining/living room sash.
 Second window is same style but
 1170 x 1700 mm. Scale 1:10

NYMNPA
 17/04/2023



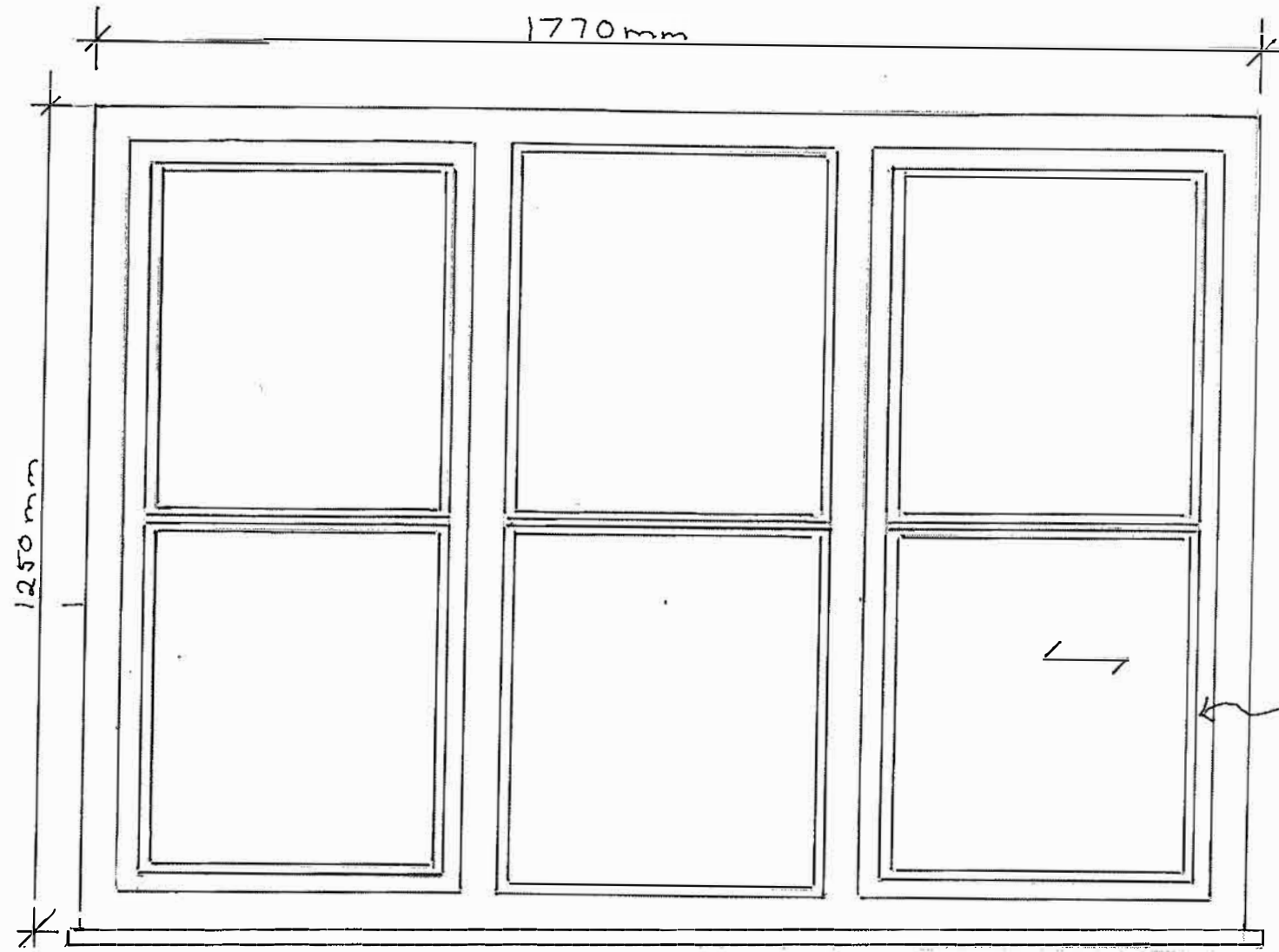
Section B:B 1:2.

Section A:A . Scale 1:2.

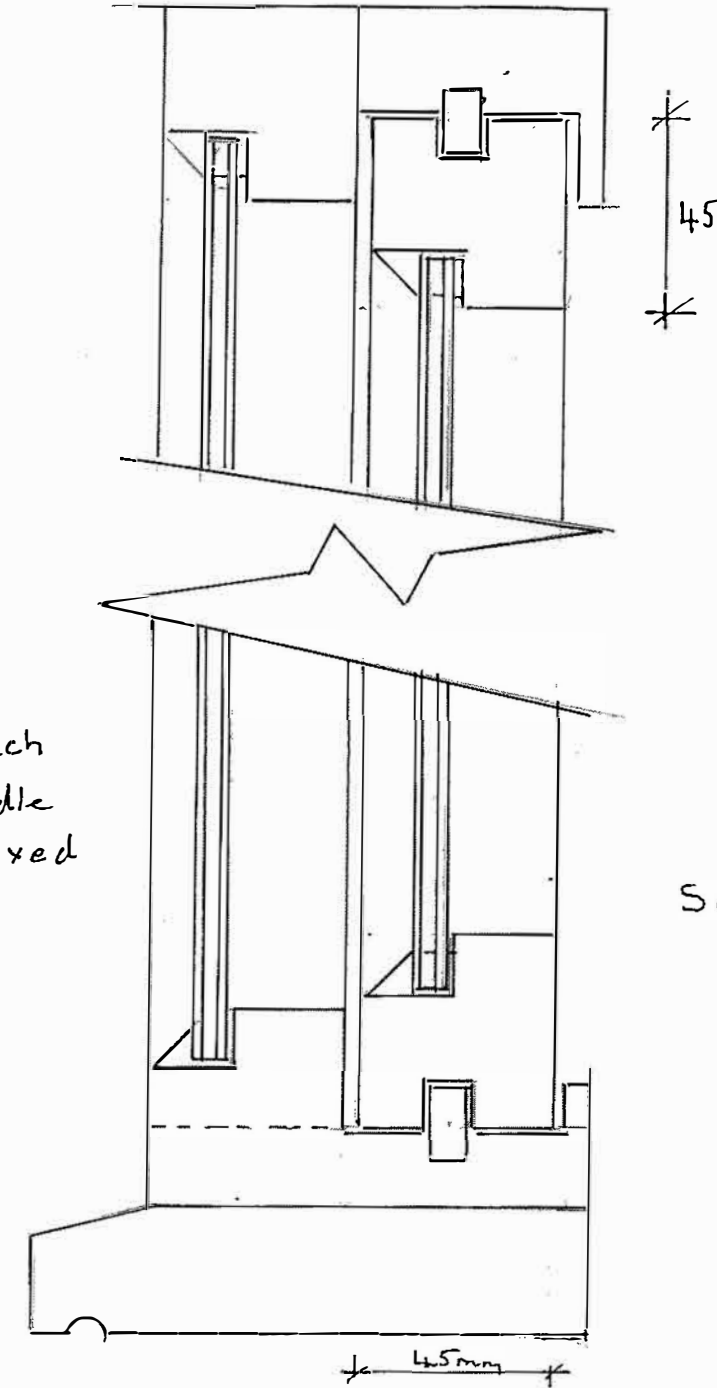
Friars Cottage, Tommy Baxter Street
 Robin Hoods Bay. NYM/2023/0024 + 0026
 Ground floor sash windows
 Ref, 23-01-01.

NYMNP

17/04/2023

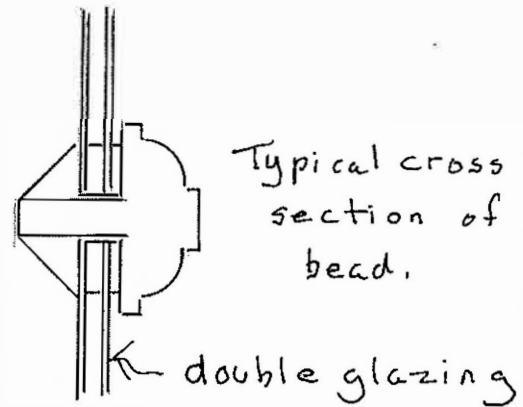


sliding
opener each
side. Middle
section fixed



Section 1:2.

Attic bedroom window
Scale 1:10



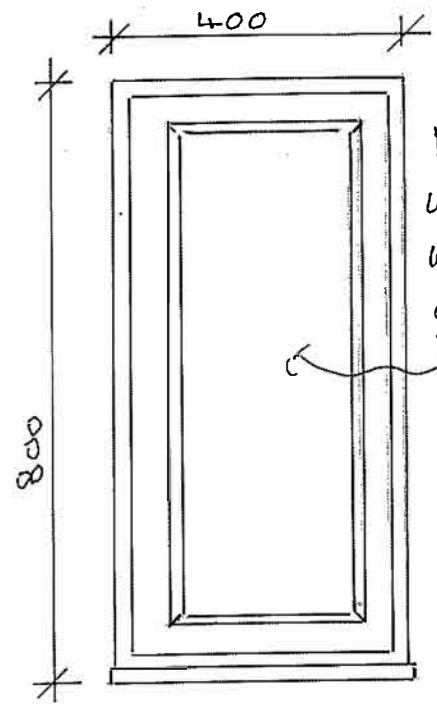
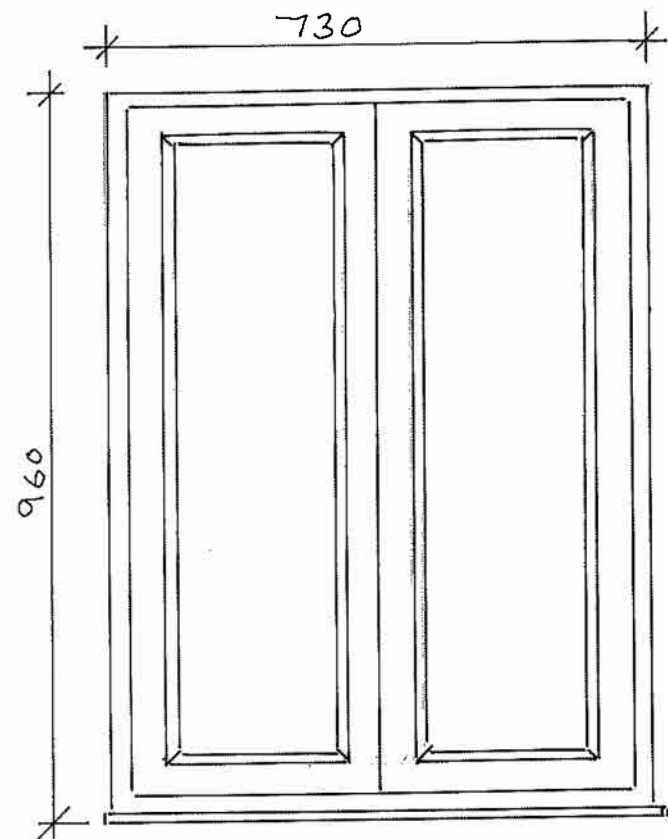
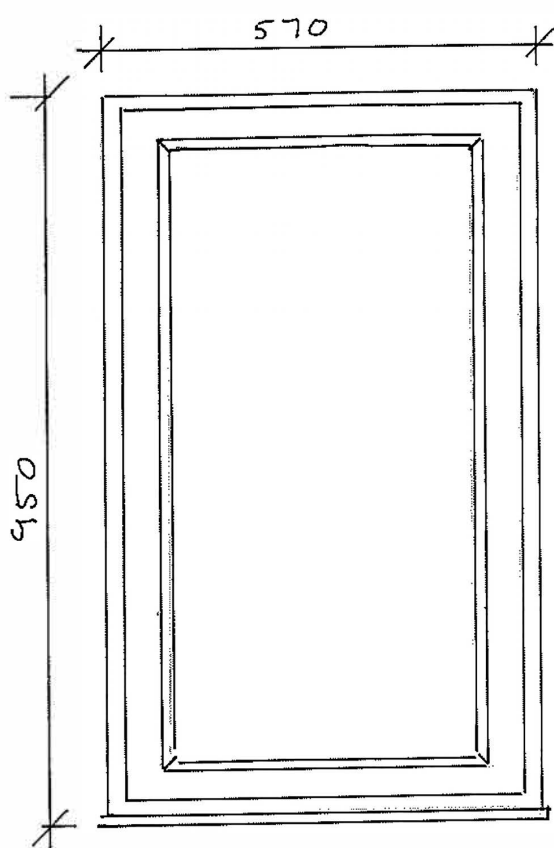
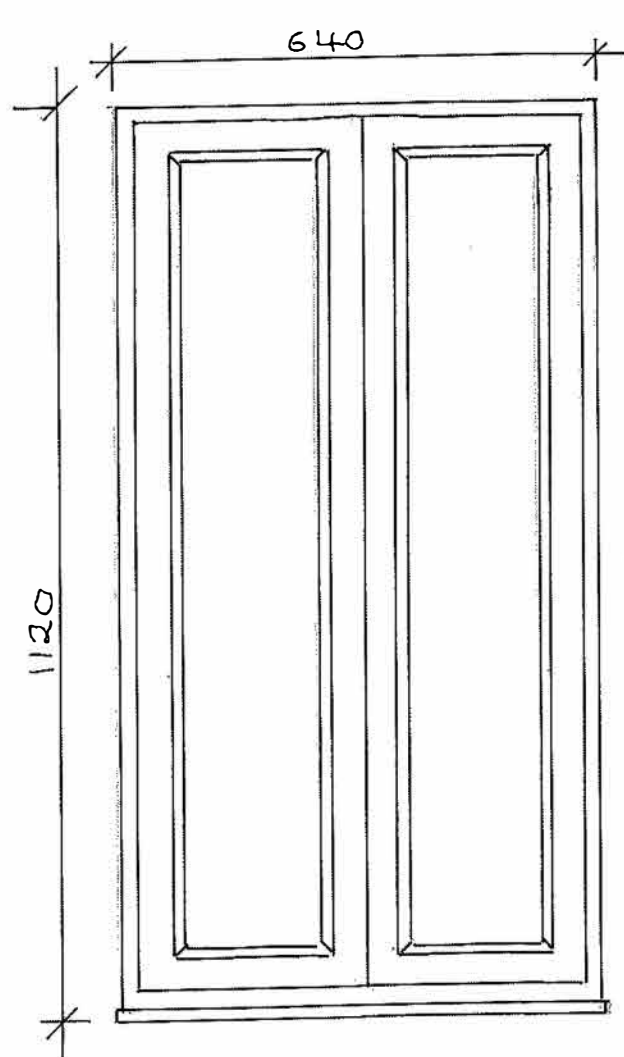
Typical cross
section of
bead.

double glazing

Friars Cottage, Tommy Baxter St.
Robin Hoods Bay, NYM/2023/0024 +26

Attic Dormer Bedroom window

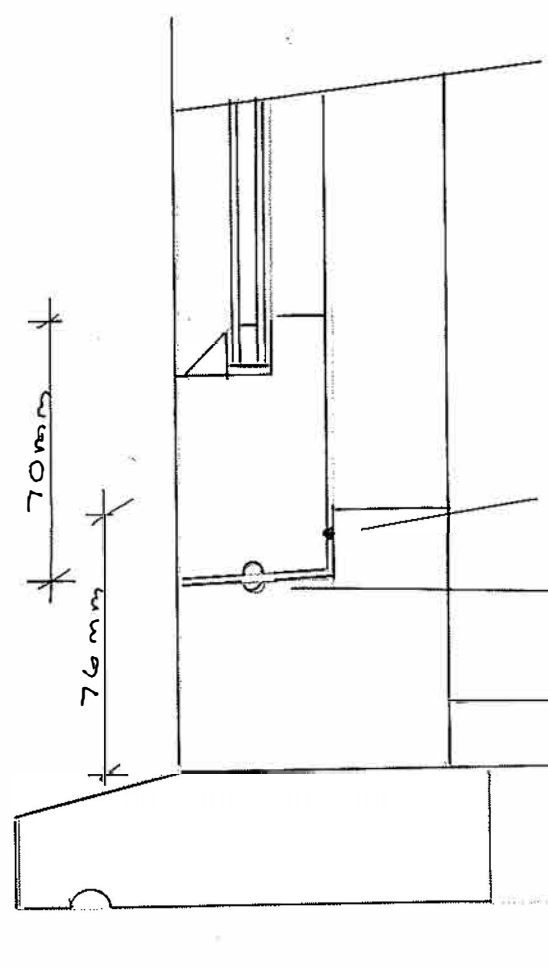
Ref 23-01-02



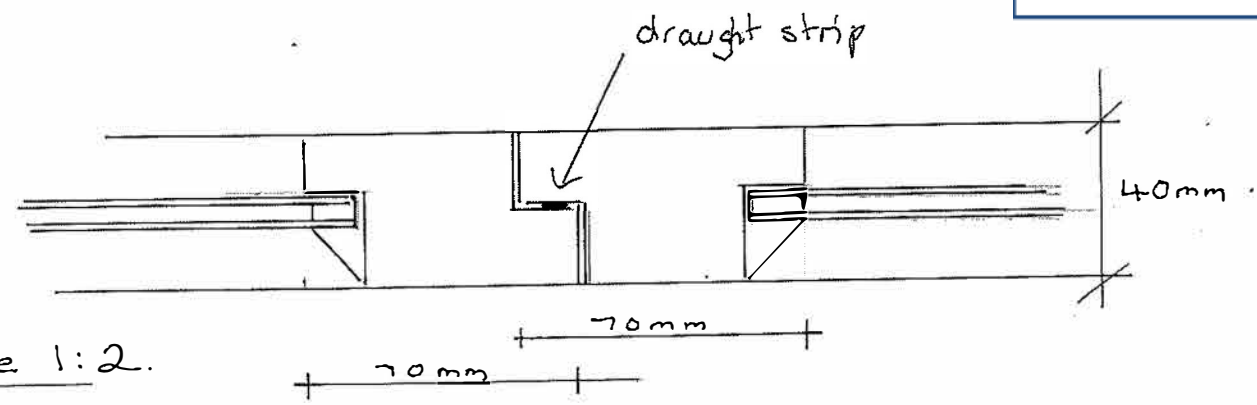
Bathroom window fitted with obscure glazing.

Scale 1:10

NYMNPA
17/04/2023



Scale 1:2



Friars Cottage, Tommy Baxter Street
Robin Hoods Bay. NYM/2023/0024+0026
First Floor Window, double glazed
casement sash. 23-01-03.