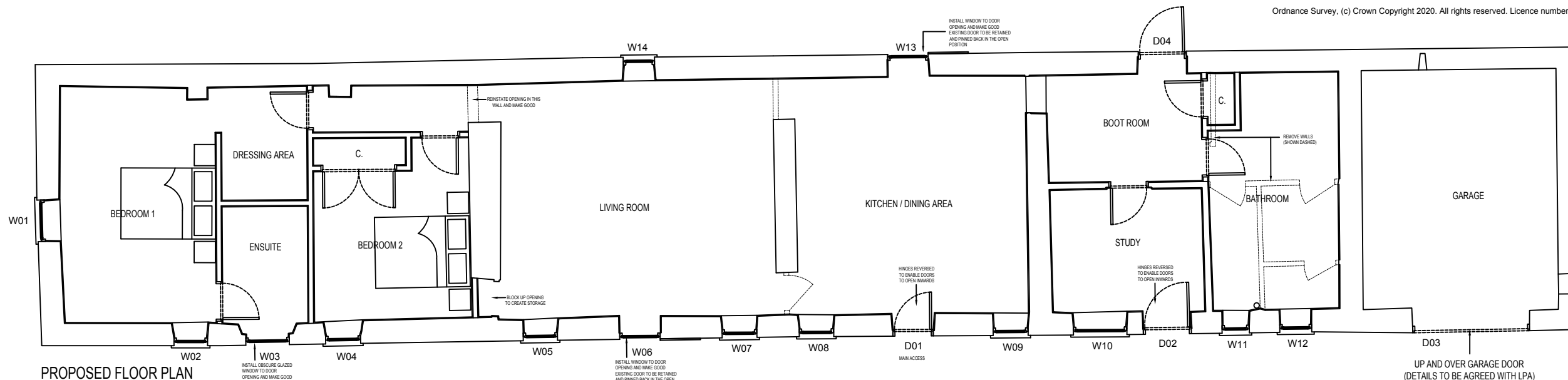
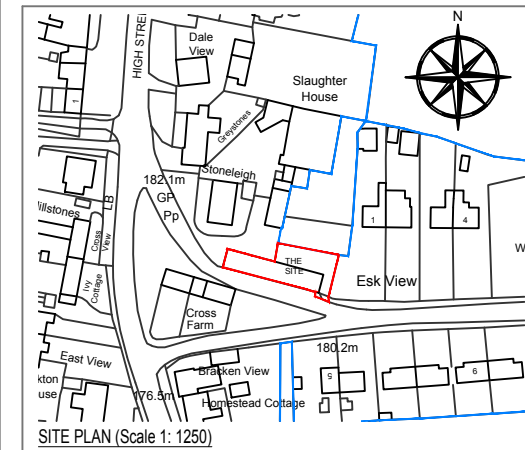


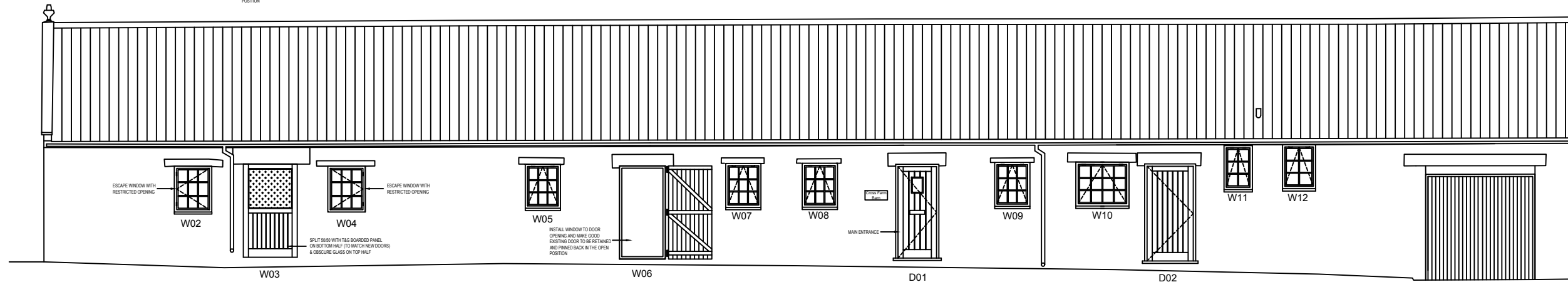
| Rev | Date | Description | Drawn | Check | Approve |
|-----|------------|---|-------|-------|---------|
| A | 13/06/2023 | WINDOW AND DOOR AMENDMENTS AS REQUESTED | JG | ML | RC |
| B | 20/06/2023 | WINDOW AND DOOR AMENDMENTS FOLLOWING SITE MEETING | JG | ML | RC |
| C | 26/06/2023 | WINDOW AND DOOR AMENDMENTS AS REQUESTED | JG | ML | RC |



PROPOSED FLOOR PLAN

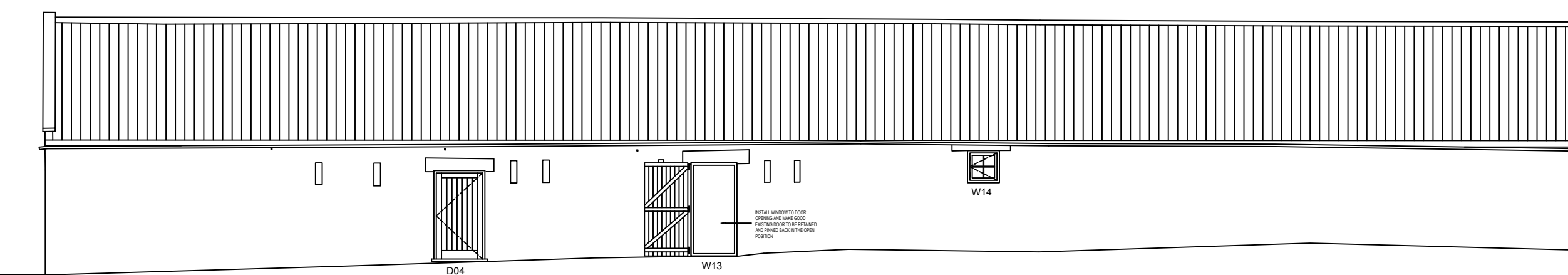


SITE PLAN (Scale 1: 1250)

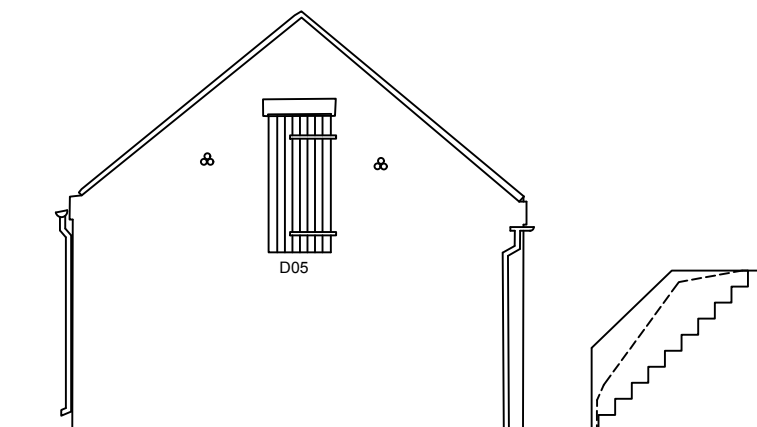


PROPOSED SOUTH ELEVATION

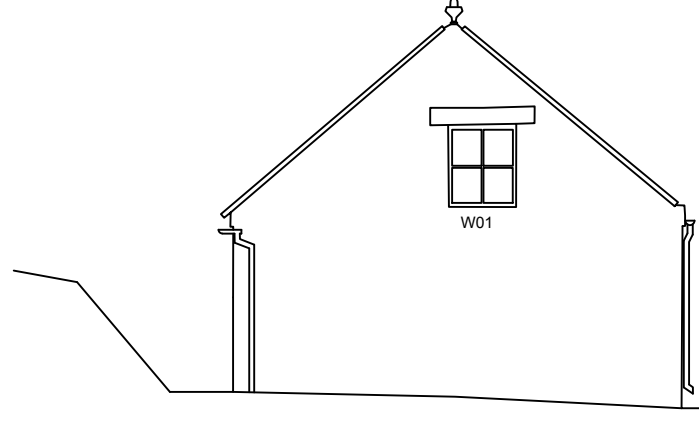
NYMNP
24/07/2023



PROPOSED NORTH ELEVATION



PROPOSED EAST ELEVATION



PROPOSED WEST ELEVATION

dream-haus

dream-haus limited
103 yew drive-brandon
suffolk-england-IP27 0AB
+44 (0) 1842 845 828
enquiries@dream-haus.com
www.dream-haus.com

Client: MULGRAVE ESTATE

Project: CROSS FARM BUILDING
HIGH STREET, EGTON
WHITBY, YO21 1TZ

Drawing: WINDOW REFERENCE
FLOOR PLANS & ELEVATIONS

Drawing Number: 06-2020-1007

Scale: 1:100 | Sheet: 01 OF 01 | Rev: C

©DREAM HAUS LIMITED 2023 (Company Reg. Number 07870039)
DRAWING PROPERTY OF DREAM HAUS LIMITED
ALL DIMENSIONS IN MILLIMETERS UNLESS STATED OTHERWISE.

Drawn: JG

NYMNP

24/07/2023

58 92 68 58 68 58 68 58

HORIZONTAL SECTION - SCALE 1:5

TOP HUNG CASEMENT WITH GLAZING BEAD

92 58 68 58

OVOLO MOULDINGS

HARDWOOD TRANSOME WITH OVOLO MOULDINGS

58 68 73 92

24mm DOUBLE GLAZING UNITS

58 68 68 92

OVOLO MOULDINGS

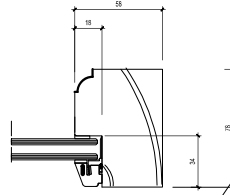
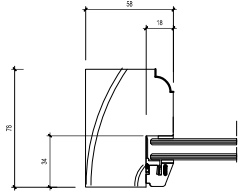
VERTICAL SECTION - SCALE 1:5

WINDOW DETAILS - 'A' RATED CASEMENT - HERITAGE RANGE

DETAIL SECTIONS - SCALE 1:5

JHJ-LOH-ARD-01 rev 0

23/07/2023 14:14:14 06/03/2023 14:14:14 06/03/2023 14:14:14 06/03/2023 14:14:14



14mm DOUBLE GLAZING UNIT

1950

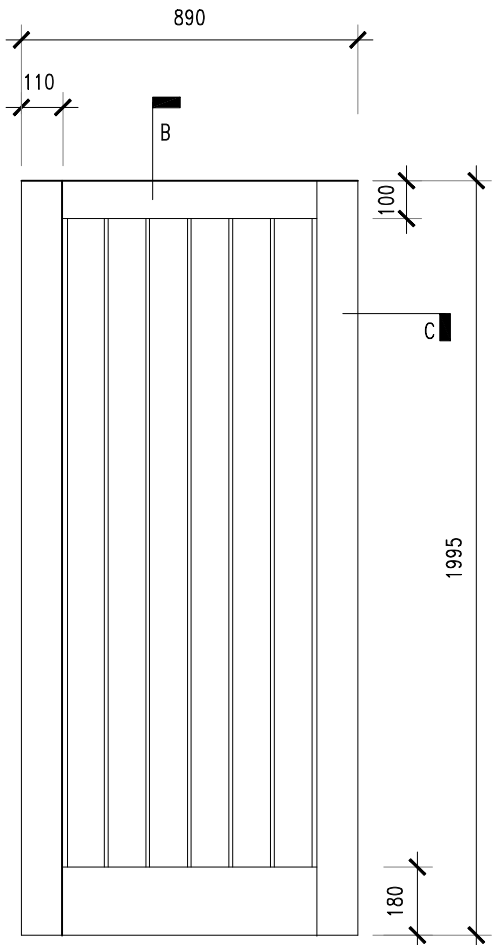
1000

FIXED LIGHT

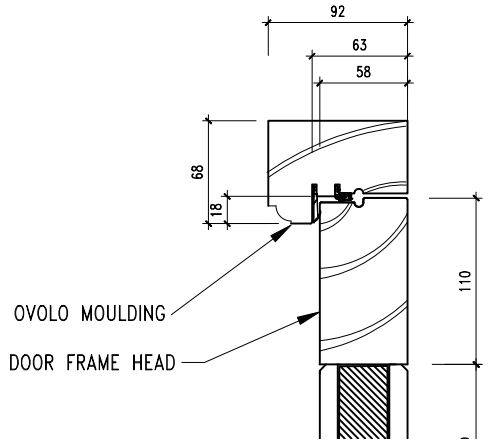
SOLID HARDWOOD CILL

WINDOW ELEVATION - DIRECT GLAZED - HERITAGE RANGE

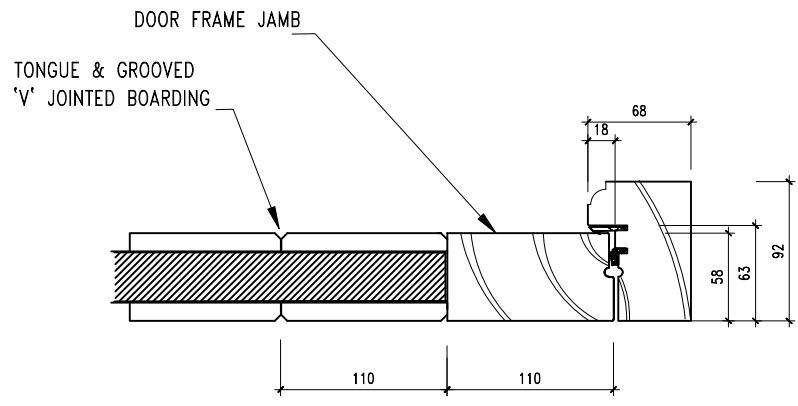
JOINERY



D-1 ELEVATION FROM OUTSIDE



SECTION B 1:5



SECTION C 1:5

ELEVATION AND DETAILS OF PROPOSED REPLACEMENT F.L.B. DOOR
SCALE 1:20&1:5 (@ A4)