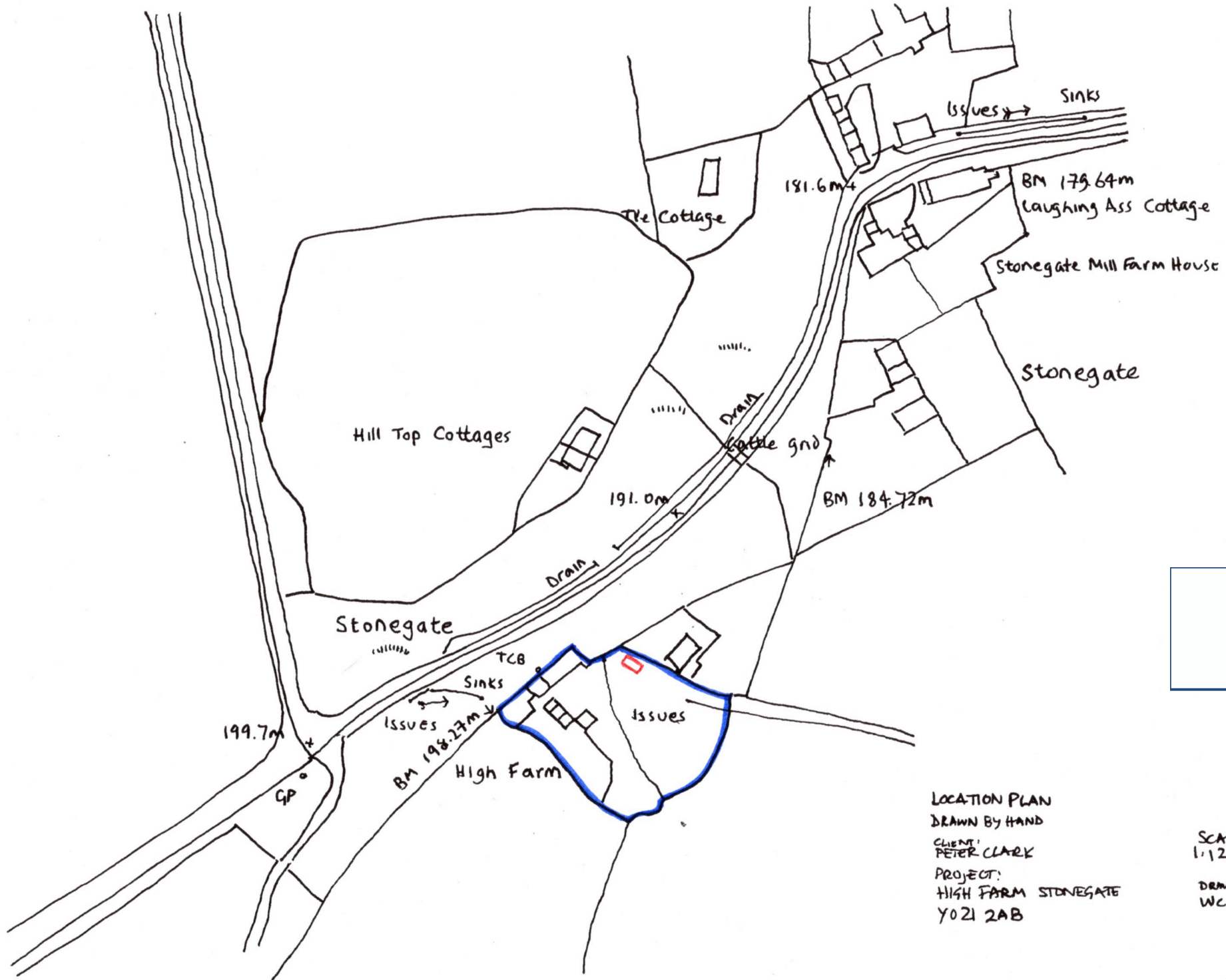


DRAWN BY HAND - LOCATION PLAN OF HIGH FARM, STONEGATE. Y0212AB

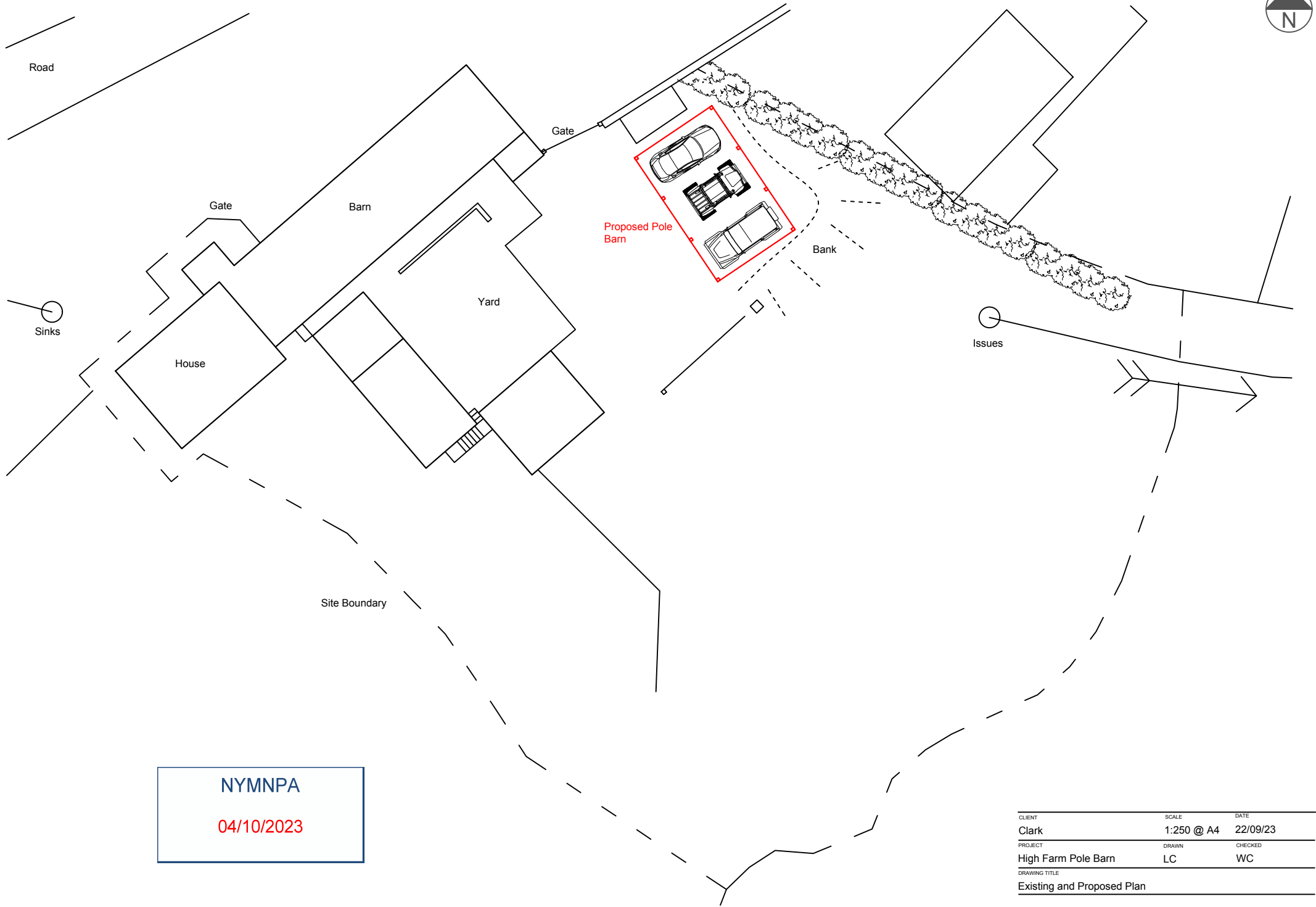


NYMNPA
13/10/2023

LOCATION PLAN
DRAWN BY HAND
CLIENT:
PETER CLARK
PROJECT:
HIGH FARM STONEGATE
Y0212AB

SCALE
1:1250 @ A4

DRAWN BY
WC 12.10.23

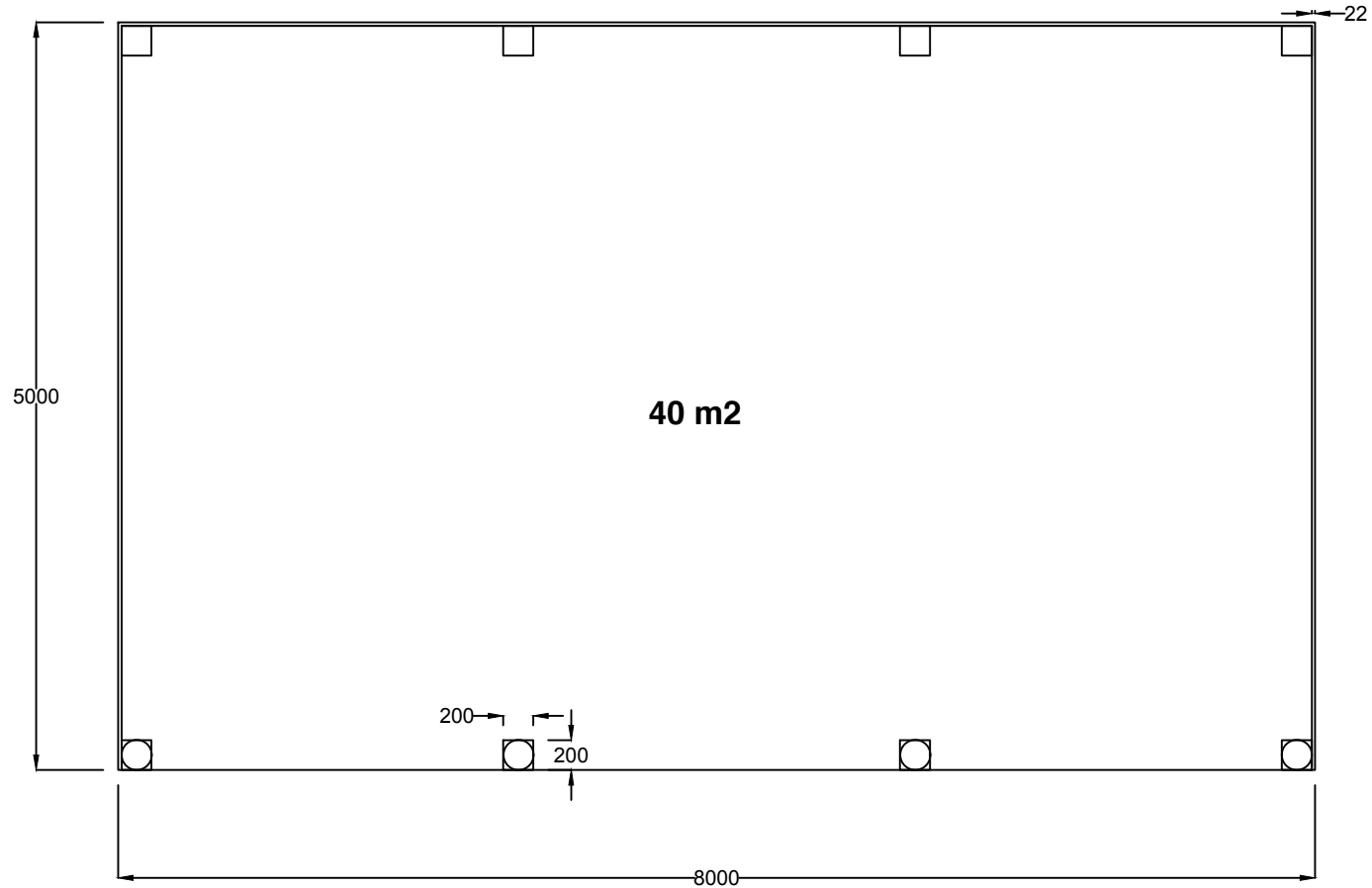


NYMNP
04/10/2023

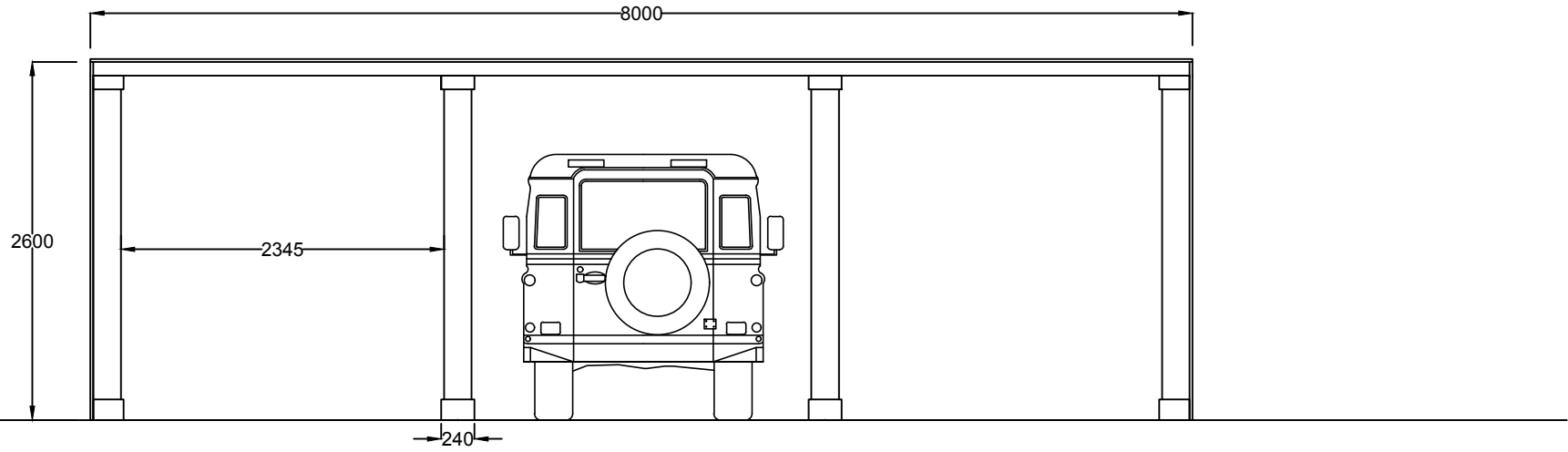
CLIENT	SCALE	DATE
Clark	1:250 @ A4	22/09/23
PROJECT	DRAWN	CHECKED
High Farm Pole Barn	LC	WC
DRAWING TITLE		
Existing and Proposed Plan		

NYMNPA

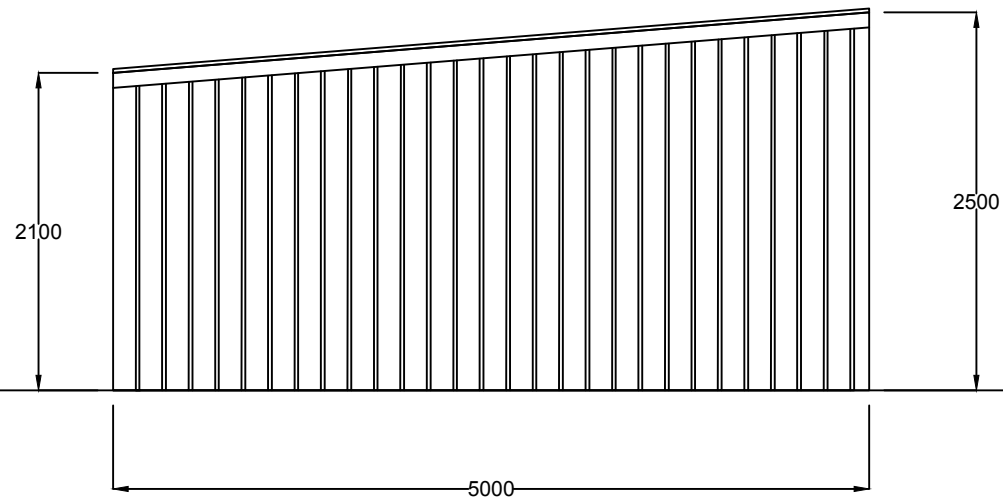
04/10/2023



CLIENT	SCALE	DATE
Clark	1:50 @ A4	22/09/23
PROJECT	DRAWN	CHECKED
High Farm Pole Barn	LC	WC
DRAWING TITLE		
Proposed Plan		



Front Elevation



Side Elevation

CLIENT	SCALE	DATE
Clark	1:50 @ A4	22/09/23
PROJECT	DRAWN	CHECKED
High Farm Pole Barn	LC	WC
DRAWING TITLE		
Proposed Elevations		