



AMLED100/PC

Mira LED Floodlight - Electronic Photocell Cool White 100W Graphite



NYMNPA

18/05/2018

Features

Architectural slim die-cast LED floodlight.

100W LED exceeds performance of 150W HQL.

Optically textured glass for enhanced light output.

Heat sink design provides optimum LED life.

Graphite textured paint finish.

Pre-wired with 1 metre of rubber insulated cable for ease of installation.

PIR versions complete with manual override facility.

LED lifespan L70 50,000 hours.

Non-dimmable.

Not suitable for interior use.

General Information

Lamp Type	LED
Colour / Finish	Graphite
Photocell	Yes
IP Rating	IP65
Class Protection	1
Internal / External	External
Surface / Recessed / Suspended	Surface
Warranty (Years)	5
CE Mark	Yes
Height / Depth	125
Length / Diameter	470
Width	380

Technical Information

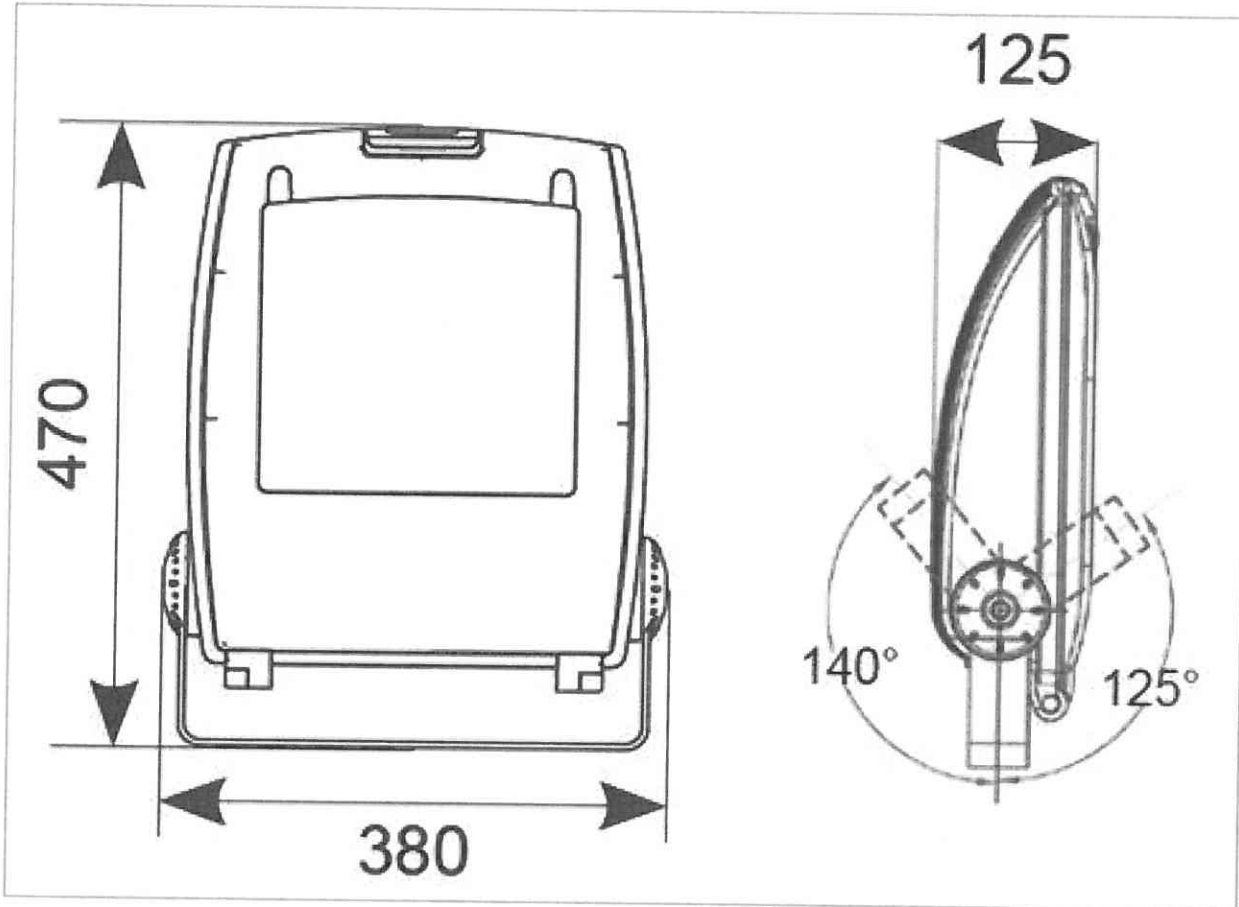
Wattage	100W
Lumens Delivered	9390lm
Lm/W	96 Lm/W
CRI	Ra 70
CCT	4750K
Input	230V
Hertz	50Hz
Operating Temp	-20°C to 50°C



Technical Data - ETIM 6 - Downlight/spot/floodlight (EC001744)

Suitable for wall mounting	Yes
Suitable for suspended mounting	No
Lamp type	LED not exchangeable
With light source	Yes
Lamp holder	None
Colour housing	Other
Suitable for number of lamps	1
Voltage type	AC
Nominal voltage	230-230 V
Type of control gear	LED operating device current-controlled
Control gear included	Yes
Type of dimming	Not dimmable
Degree of protection (IP)	IP65
Protection class	I
Rated luminous flux acc. IEC 62722-2-1	9390 lm
Colour of light	White
Colour temperature	4750-4750 K
Colour rendering index CRI	70-79
Surface finishing	Other
Length	470 mm
Width	380 mm
Suitable for ceiling mounting	No
Adjustability	Swivelling
Suitable for lamp power	100-100 W
With light sensor	Yes

With movement sensor	No
Max. system power	100 W
Light sharing	Asymmetric
Height/depth	125 mm
Suitable for light-track mounting	No



Datasheet generated from <http://www.electrika.com> last updated Thursday, December 7, 2017 11:59:40 AM



MANUFACTURERS DECLARATION OF CONFORMITY

**For
All Ansell Electrical Products**

In Accordance with CE Mark

Ansell Lighting declares that all Ansell Electrical Products LTD have been fully designed, manufactured and tested in accordance with the requirements of relevant legislation:-

CE Marking Legislation

- ERP Energy Related Products Directive 2009/125/EC
- EMC Electro Magnetic Compatibility Directive 2014/30/EU
- LVD Low Voltage Directive 2014/35/EU
- RoHS Restriction of Hazardous Substances 2011/65/EU

Additional Legislation

- EU Directive 2006/121/EC (REACH)
- EU Directive 2002/96/EC (WEEE)

Relevant Safety Standards

- BS EN 60598-1:2015 Luminaires - General requirements and tests
- BS EN 60598-2-2:2012 Luminaires – Specific requirements, Recessed Luminaires
- BS EN 60598-2-22:2014 Luminaires – Specific requirements, Emergency Luminaires
- BS EN 60598-2-13:2006+A1:2012 Luminaires – Specific requirements, Ground Recessed Luminaires.
- BS EN 60598-2-18:1994+A1:2012 Luminaires – Specific requirements, Luminaires for swimming pool applications.
- BS EN 60598-2-5:1998 Luminaires – Specific requirements, Floodlighting.
- BS EN 60598-2-6:1995 Luminaires – Specific requirements, In-built Transformers.
- BS EN 60570:2003 Electrical supply track system for luminaires.
- BS EN 61047:2004 D.C. or A.C. supplied electronic step-down convertors for filament lamps. Performance requirements
- BS EN 61347-2-13:2014 Lamp Controlgear – Specific requirements for D.C. or A.C. LED controlgear.
- BS EN 62031:2008+A2:2015 LED Modules – General lighting safety specification.
- BS 4533-102.1:1990, EN 60598-2-1:1998 Luminaires – Specific requirements, Fixed General Purpose Luminaires.
- BS 4533-102.19:1990, EN 60598-2-19:1989 Luminaires – Specific requirements, Air Handling Luminaires.

I hereby declare that the equipment named above has been designed, manufactured and tested to comply with the relevant sections of the above referenced specifications. The equipment complies with all essential requirements of the Standards.

**Chris Boocock – Technical Manager
04/01/2017**

Ansell Electrical Products LTD

Unit 6B, Stoncross Industrial Park, Yew Tree Way, Warrington WA3 3JD

Web www.anselluk.com

Registered in England No: 04134581 VAT Reg No : GB 776 1299 92

Object :
Installation :
Project number :
Date :



1 Luminaire data

1.1 ANSELL Lighting, Mira LED Floodlight (AMLED100)

1.1.1 Data sheet

Manufacturer: ANSELL Lighting

AMLED100 Mira LED Floodlight

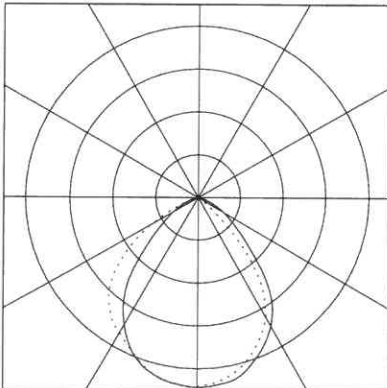
Luminaire data

Luminaire efficiency : 83%
Luminaire efficacy : 95.91 lm/W
Classification : A50 ↓99.9% ↑0.1%
CIE Flux Codes : 66 93 99 100 83
UGR 4H 8H : 19.9 / 23.7
Power : 98 W
Luminous flux : 9398.9 lm

Equipped with

Quantity : 1
Designation :
Colour :
Luminous flux : 11324 lm

Dimensions : 460 mm x 385 mm x 130 mm

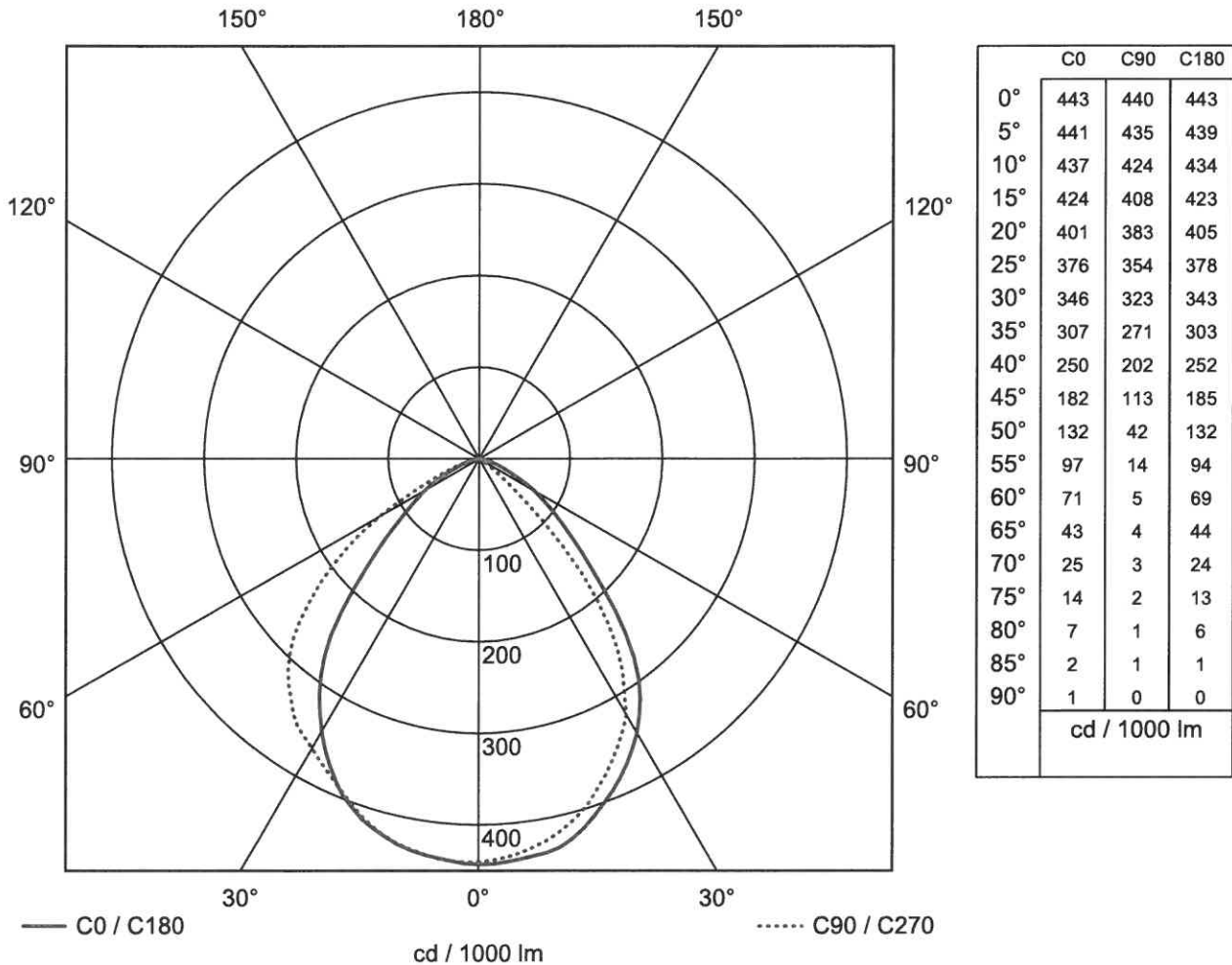


Object :
 Installation :
 Project number :
 Date :



1.1 ANSELL Lighting, Mira LED Floodlight (AMLED100)

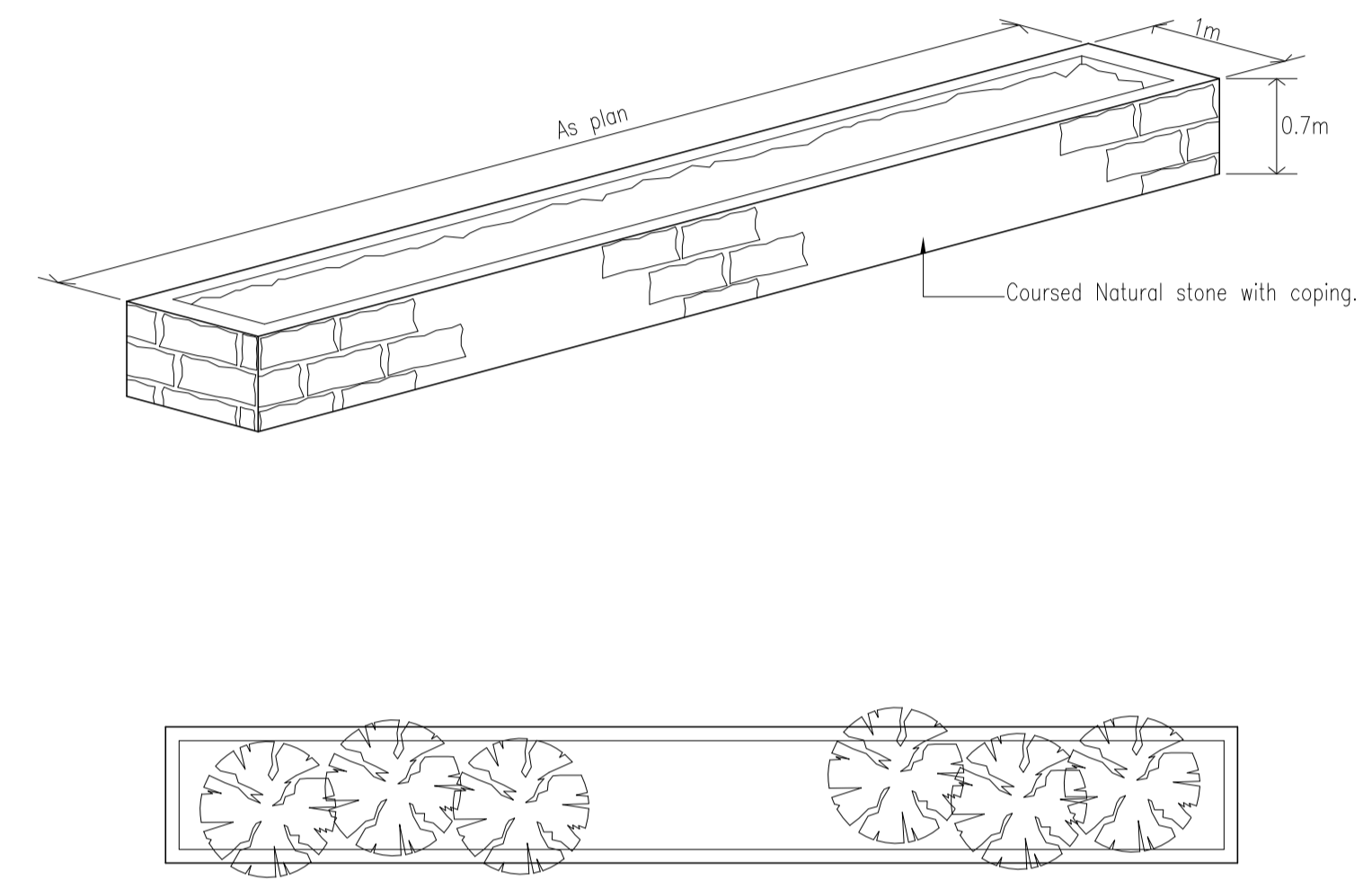
1.1.2 LDC



Manufacturer	: ANSELL Lighting	Efficiency factor	: 83%
Order number	: AMLED100	Luminaire efficacy	: 95.91 lm/W (A50)
Luminaire name	: Mira LED Floodlight	Light distribution	: asymmetric
Equipment	: 1 x 98 W / 11324 lm	Beam Angle	: 42.1° C0
Dimensions	: L 460 mm x W 385 mm x H 130 mm		: 38.7° C90
File name	: rlx_20170830132018.ltd		: 42.3° C180
			: 51.8° C270

produced by
 Ansell Lighting Design Department

- DO NOT SCALE from this drawing. Only figured dimensions are to be taken from this drawing.
- The Contractor must verify all dimensions on site before commencing any work or shop drawings.
- The Contractor must report any discrepancies before commencing work. If this drawing exceeds the quantities taken in any way, the Technician is to be informed before work is initiated.
- Work within The Construction (Design and Management) Regulations 1994 is not to start until a Health & Safety Plan has been produced. This drawing is Copyright and must not be reproduced without consent of BHD Partnership Ltd



PROPOSED Planters (typical)
Scale 1:50 © A1

PROPOSED Block Plan
Scale 1:200 © A1

B	16/10/17	CE	Amended to suit client			
A	04/09/17	NID	ISSUED FOR DISCUSSION			
REV	DATE	BY	AMENDMENT	CHKD	APVD	

b h d partnership
Airy Hill Manor, Whitby, North Yorkshire, UK, YO21 1QB.

DISCIPLINE: ARCHITECTURAL

CLIENT: Sky Scaffold

PROJECT: New Scaffolding Yard
Site off fairfield Way, Whitby YO22 4PU

TITLE: Proposed block plan

DRAWN: NID	CHECKED:	APPROVED:
SCALE & SIZE: 1:200 @ A1	DATE: 04/09/17	DRAWING STATUS: DISCUSSION
DRAWING No: D11177-02		REV: B

NYMNP
18/05/2018