

**From:** [REDACTED]  
**Sent:** 14 June 2018 17:29  
**To:** [REDACTED]  
**Subject:** Re: Nature Trail Boardwalk Phase 2

3. Nookfield Close  
Robin Hoods Bay  
Whitby  
YO224PY

North Yorks Moors National Park. Planning Department.

Dear sirs

We the Manor of Fyling Court Leet are fully supportive of the Hawk and Owl Trust in there work on Fylingdales Moor. The boardwalk and staircase that they are wanting to build will make access to Jugger Slack far easier and safer for members of the public when they are walking the moor or enjoying the nature trail.

Yours faithfully,

L E Hodgson  
Bailiff. Manor of Fyling Court Leet

Sent from [Outlook](#)

---

**From:** [REDACTED]  
**Sent:** 13 June 2018 08:46  
**To:** [REDACTED]  
**Subject:** Nature Trail Boardwalk Phase 2

RECEIVED  
23 JUL 2018

Good morning,

As part of my Planning Application for steps and a short 'staircase' at the southern end of the boardwalk, which will make access/egress at Jugger Slack easier can I please ask you all for a letter of support for the project, as per the initial boardwalk?

Thanks  
Chris

**FYLINGDALES MOOR ESS Ltd**

Correspondence Address  
Riverhead Farm  
Harwood Dale  
Scarborough  
North Yorkshire  
YO13 0LA

[REDACTED]

Chris Hansell  
Hawk & Owl Trust  
Fakenham

5<sup>th</sup> July 2018

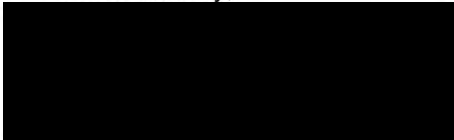


**LETTER OF SUPPORT FOR PLANNING APPLICATION**

Dear Chris

As the administrator of Fylingdales Moor ESS Ltd I would like to register the support of the members of the company to your application to the National Park for the application of phase 2 of the boardwalk. We feel that this will be beneficial to all and especially to the educational side of our Higher Level Stewardship Agreement.

Yours faithfully,



**Julie C. Crabtree**  
**Administrator**

**Tracy Hansell**

---

**From:** [Redacted]  
**Sent:** 09 July 2018 06:39  
**To:** 'Tracy Hansell'  
**Subject:** FW: Letter of Approval

[Redacted]

**From:** [Redacted]  
**Sent:** 04 July 2018 16:33  
**To:** [Redacted]  
**Cc:** [Redacted]  
**Subject:** RE: Letter of Approval

Dear Chris,

I confirm on behalf of Sir Frederic Strickland-Constable (the owner of Fylingdales Moor) that the Hawk and Owl Trust has consent for the submission of a planning application for the construction of Phase 2 of the Boardwalk at Jagger Howe.

I hope this is what you need

Kind regards

Henry

Henry Rayment  
Agent  
Direct line: [Redacted]  
Email: [Redacted]



**From:** [Redacted]  
**Sent:** 04 July 2018 16:17  
**To:** [Redacted]  
**Subject:** Letter of Approval

Hi both,  
Sorry to be a pain about this but can I please have a letter of approval from you both for NYMNP regards the Planning Permission application for Phase 2 of the boardwalk. Once I have those I am in a position to submit the application.  
Thanks on anticipation.  
Chris

Chris Hansell  
Wildlife Ranger  
Fylingdales Moor  
Hawk and Owl Trust  
[Redacted]

## Tracy Hansell

---

**From:** [REDACTED]  
**Sent:** 18 July 2018 07:56  
**To:** 'Tracy Hansell'  
**Subject:** FW: Letter of Consent

**From:** [REDACTED]  
**Sent:** 17 July 2018 16:03  
**To:** [REDACTED]  
**Cc:** [REDACTED]  
**Subject:** RE: Letter of Consent



Hi Chris,

It was good to hear from you as well.

Thanks for reminding me about this and apologies that this has fallen between myself and 'the new hub'!

I can confirm that NE is happy for this work to proceed and we can issue a more formal consent if planning permission is approved. Just sending this e mail post haste since will be on leave shortly.

Best wishes,

David

**From:** [REDACTED]  
**Sent:** 20 June 2018 14:41  
**To:** [REDACTED]  
**Cc:** [REDACTED]  
**Subject:** Letter of Consent

Hi David I trust you are well?

Following on from the success of the boardwalk for the Nature Trail in Jugger Slack it became apparent that an easier means of getting up/down the slope at the southern end would be required. As such I am applying for Planning Permission to extend the boardwalk 1mtr to the foot of the bank to meet a 2mtr staircase to the level area then to put 45 steps, at the most, up the next bank to the blue marker post. Looking at the initial spec, in 2011, the latter was included. As NE graciously granted approval in the past I am writing to ask if you could please send me a letter of consent for the work which I can pass on to NYMMPA.

At the moment the banks are slippery when wet and we have to recut steps which wear out quickly so the desire line widens. The work will enhance peoples enjoyment of the moor whilst reversing any detrimental effects.

Regards

Chris

Chris Hansell  
Wildlife Ranger  
Fylingdales Moor  
Hawk and Owl Trust

Materials to be used in the construction of the boardwalk extension, staircase and steps. All treated timber.

Step Boards – 1.2m x 200mm x 38mm (4ft x 8" x 1 ½") £3.65

Pegs pointed– 0.6m x 75mm x 50mm (24"x 3"x 2") £0.48

Revetment boards – 3.66m x 200mm x 38mm (12ft x 8" x 1 ½")

Step boards – 1.2m x 200mm x 38mm (4ft x 8" x 1 ½") £3.65

Step supports – 200mm x 100mm x 38mm to be made out of

(2 Rails 3.66m x 100mm x 38mm (12ft x 8" x 1 ½") £2.50

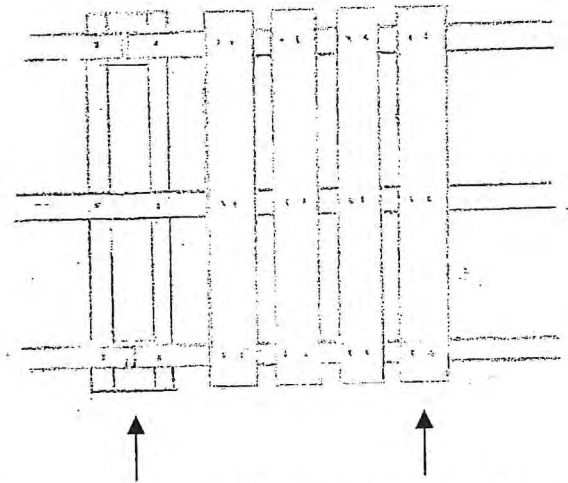
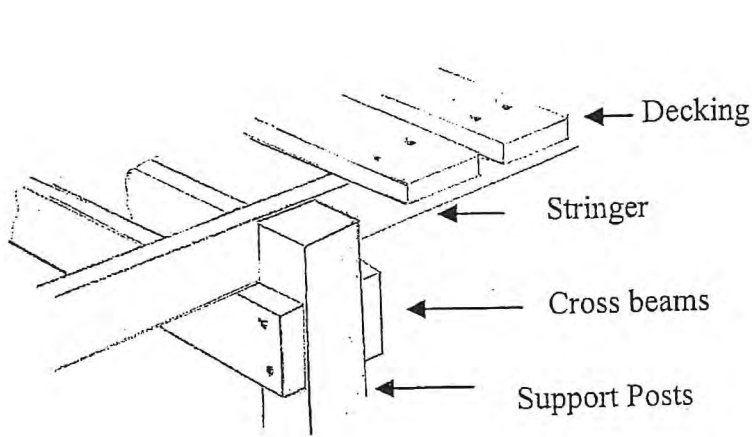
Handrail 3.66m x 87mm x 38mm (12ft 3 ½" x 1 ½") £2.87

3 handrail post – 1.8m x 100mm x 75mm (4" x 3" x 6ft) £3.61

4 pointed post 1.2m x 100mm x 100mm (4ft x 4" x 4") £2.10



# Standard Boardwalk



NYMNP  
- 5 SEP 2018

Join stringers on cross-beams and alternate joins for centre and outer stringer lines

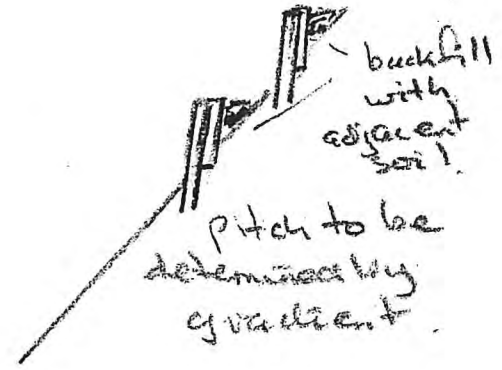
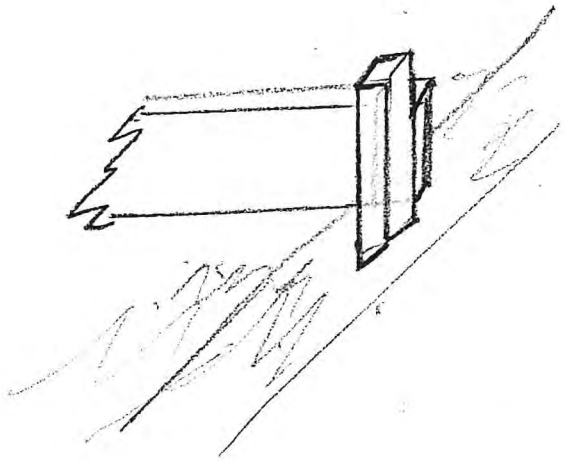
Alternative between Aggredeck and plain decking boards. Space using a template. Overhang stringer by 100mm

Item	Size	Quantity per 3.6m Section	Estimated cost per Item	Estimated cost per section
Support Posts	100 x 100 x 1200	6	4.8	28.8
Stringers	100 x 50 x 3600	3	4.27	12.81
Cross Beams	100 x 50 x 1400	6	2.8	16.8
Decking Boards	45 x 125 x 1400	12	3.15	37.8
Aggredeck	45 x 125 x 1400	12	9	108
			Total	204.21

## Method

1. Clear vegetation as necessary.
2. Dig holes for support posts 200-250mm deep, and then mell posts in to the ground at a minimum depth of 600mm (approx 300mm above ground). Use a cross-beam and level to check that the pair of posts are level.
3. Attach cross-beam. The cross-beams should be bolted to the support posts for extra strength.
4. Dig two more sets of holes spacing posts at 1800mm centres along path, levelling back to previous ones.
5. Attach stringers, angling nails for extra strength. The middle stringers should meet at alternate support posts to the outer stringers.
6. Nail on decking, leaving a 20mm gap. A template of the correct thickness is useful for spacing. Alternate between Aggredeck and plain deck boards.

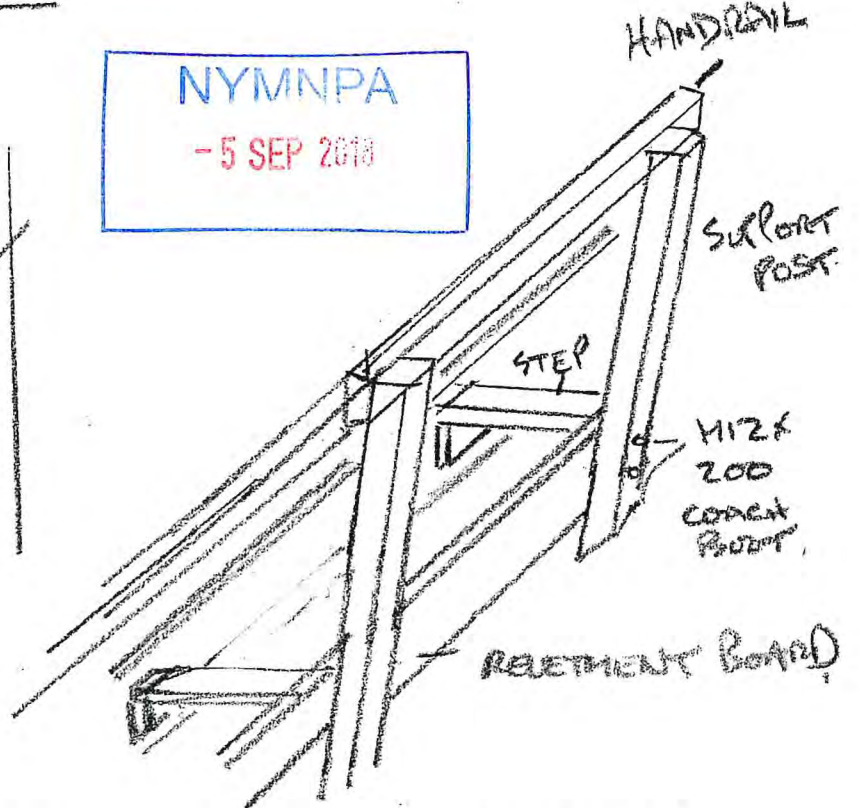
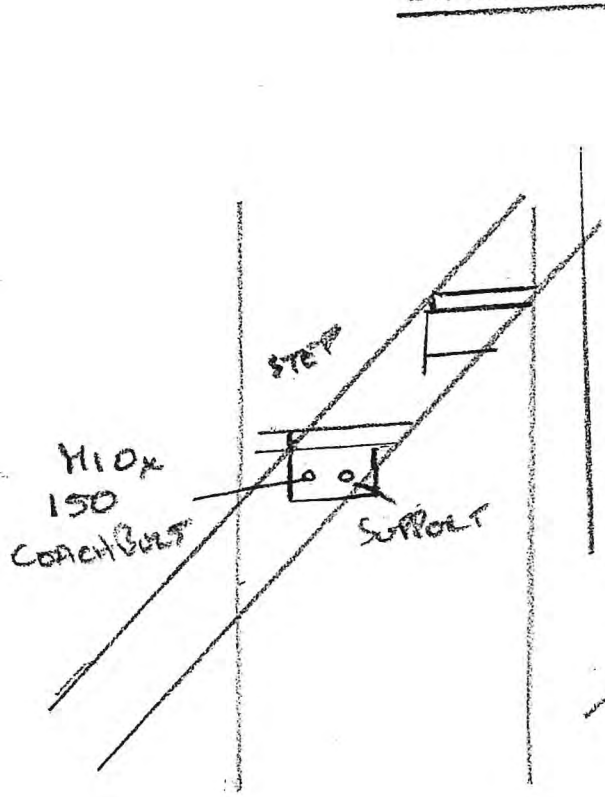
# Steps



ITEM	SIZE	QUANTITY
STEPBOARD	1.2 <sup>m</sup> x 200 <sup>mm</sup> x 38 <sup>mm</sup>	40
STEPBOARD POINTED PEG	0.6 x 75 <sup>mm</sup> x 50 <sup>mm</sup>	80

# STAIRCASE

NYMNPA  
 - 5 SEP 2018



ITEM	SIZE	QUANTITY
STEPBOARD	1.2 <sup>m</sup> x 200 <sup>mm</sup> x 38 <sup>mm</sup>	10
STEP SUPPORTS	200 <sup>mm</sup> x 100 <sup>mm</sup> x 38 <sup>mm</sup>	20
HANDRAIL	3.66 <sup>m</sup> x 87 <sup>mm</sup> x 38 <sup>mm</sup>	1
HANDRAIL POST	1.8 <sup>m</sup> x 100 <sup>mm</sup> x 75 <sup>mm</sup>	3
POST	1.2 <sup>m</sup> x 100 <sup>mm</sup> x 100 <sup>mm</sup>	4
RETAINMENT BOARD	1.2 <sup>m</sup> x 200 <sup>mm</sup> x 38 <sup>mm</sup>	2