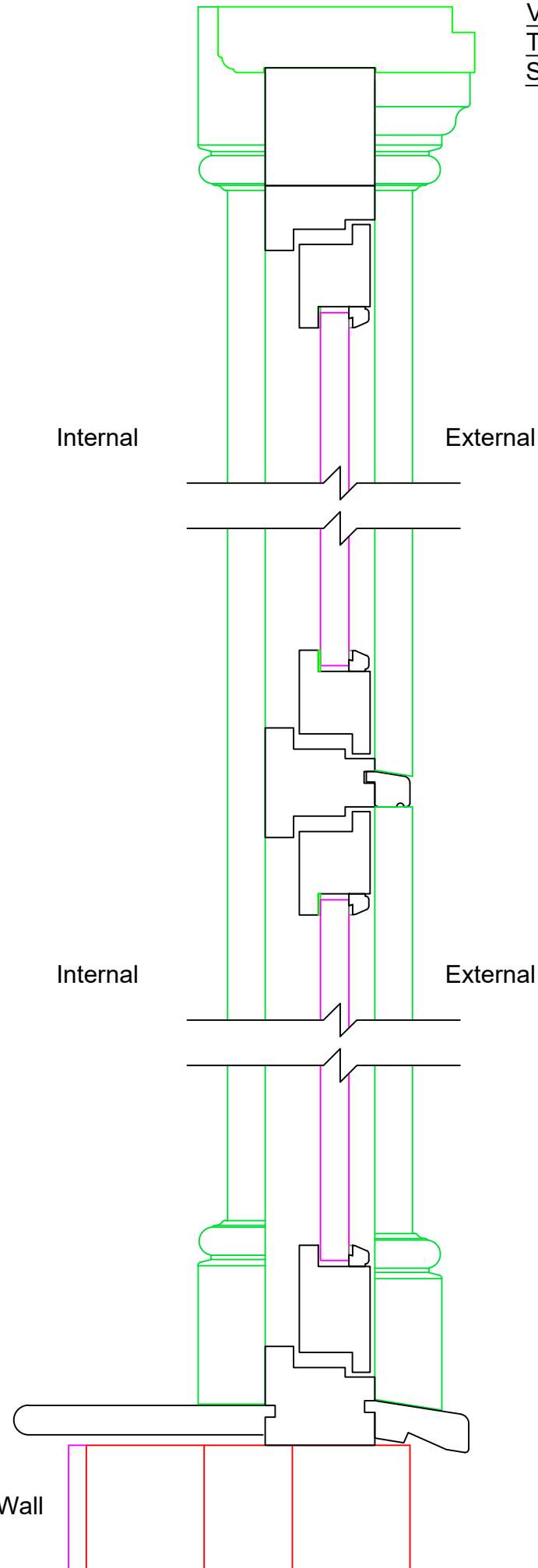
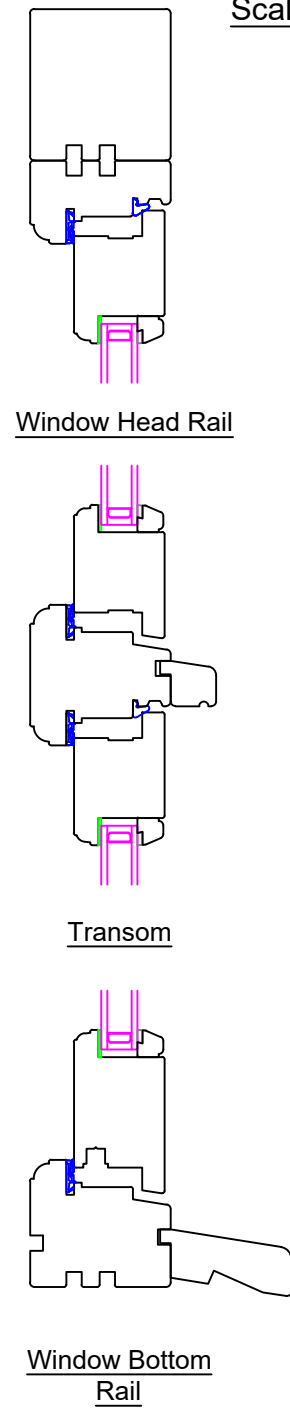


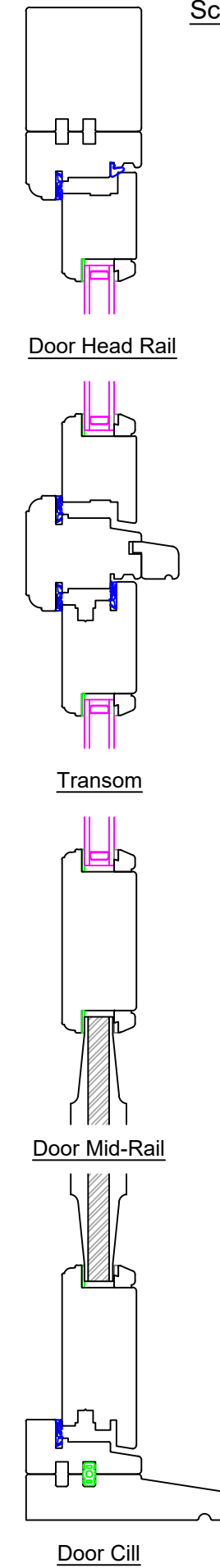
VERTICAL VIEW
THROUGH PILASTER
Scale 1:5



VERTICAL VIEW
THROUGH WINDOW
Scale 1:5



VERTICAL VIEW
THROUGH DOOR
Scale 1:5



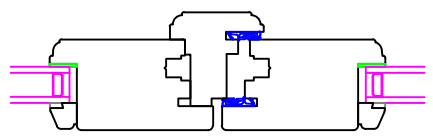
NYMNPA
12/09/2018

REVISION	DATE	COMMENT

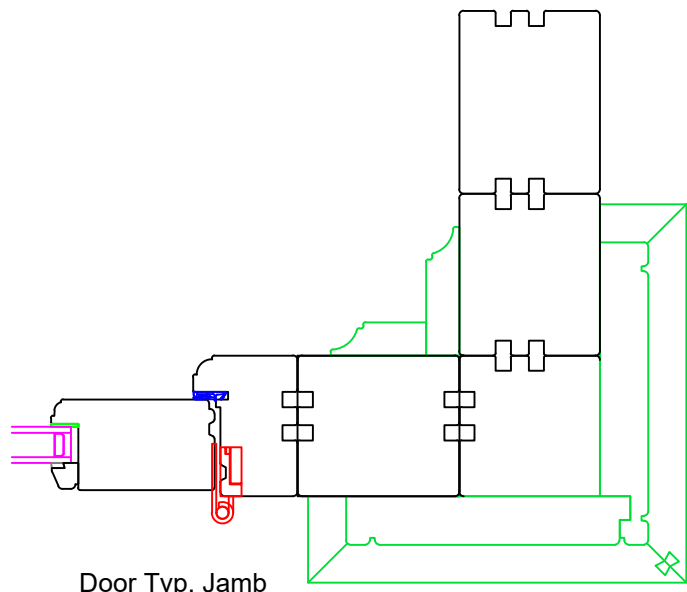
client Mr Fiddler Victoria Hotel, Station Road, Robin Hoods Bay, Yorkshire, YO22 4RL		
Drawing: Detail Section		
scale: 1:5 @A3	dwg: 10423 /05	rev: -
date: September '18		

David Salisbury

Bennett Road,
Isleport Business Park,
Highbridge, Somerset, TA9 4PW

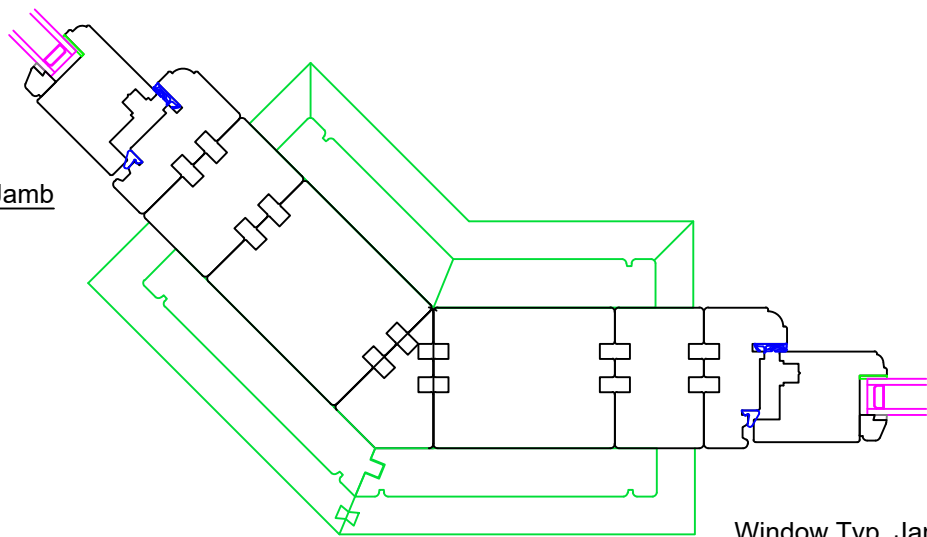


Door Mullion



Door Typ. Jamb

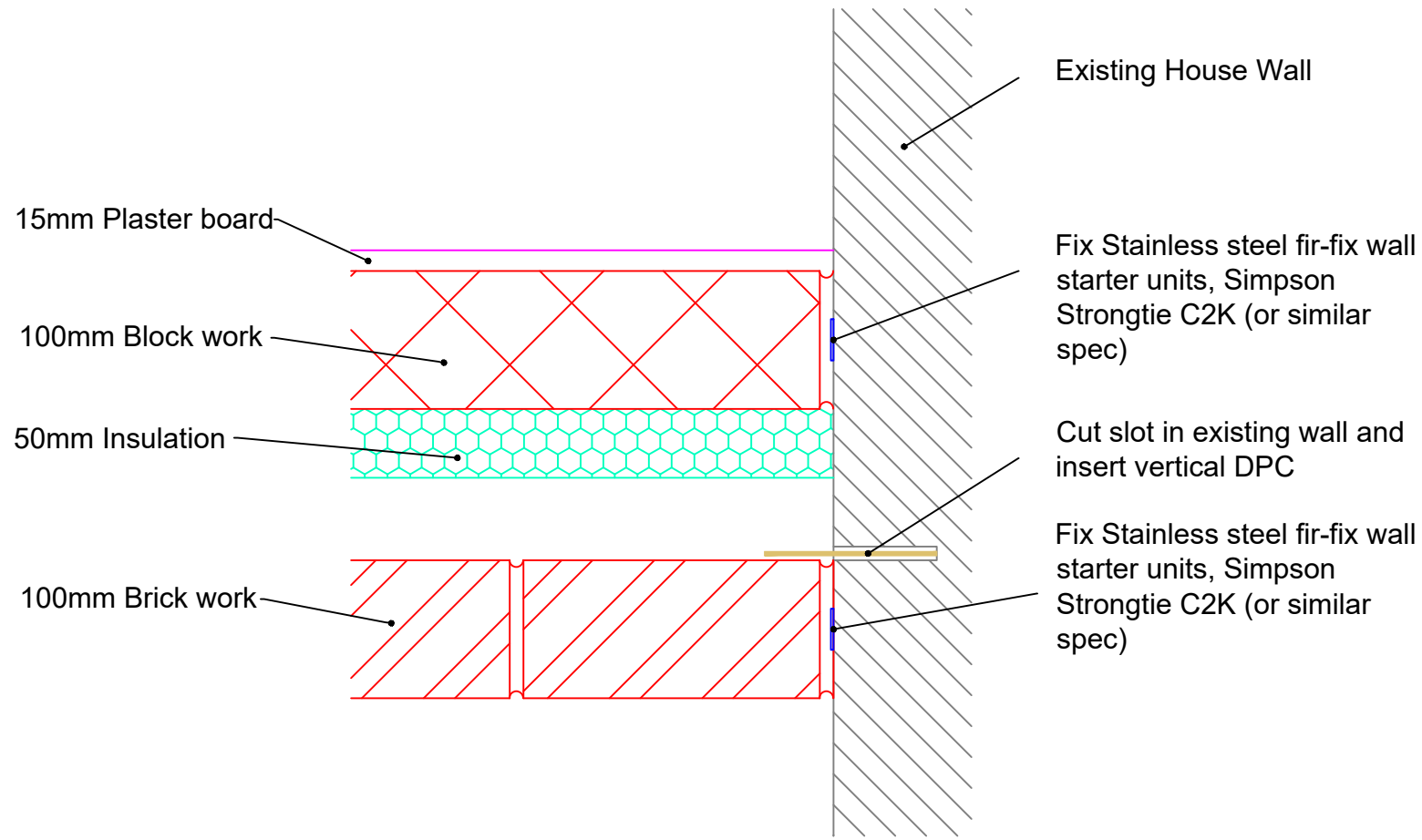
PLAN VIEW OF
CORNER PILASTERS
Scale 1:5



Window Typ. Jamb

Window Typ. Jamb

PLAN VIEW OF
CORNER PILASTERS
Scale 1:5



15mm Plaster board

100mm Block work

50mm Insulation

100mm Brick work

Existing House Wall

Fix Stainless steel fir-fix wall
starter units, Simpson
Strongtie C2K (or similar
spec)

Cut slot in existing wall and
insert vertical DPC

Fix Stainless steel fir-fix wall
starter units, Simpson
Strongtie C2K (or similar
spec)

PLAN VIEW OF FULL
HEIGHT WALL
Scale 1:5

NYMNPA
12/09/2018

REVISION	DATE	COMMENT

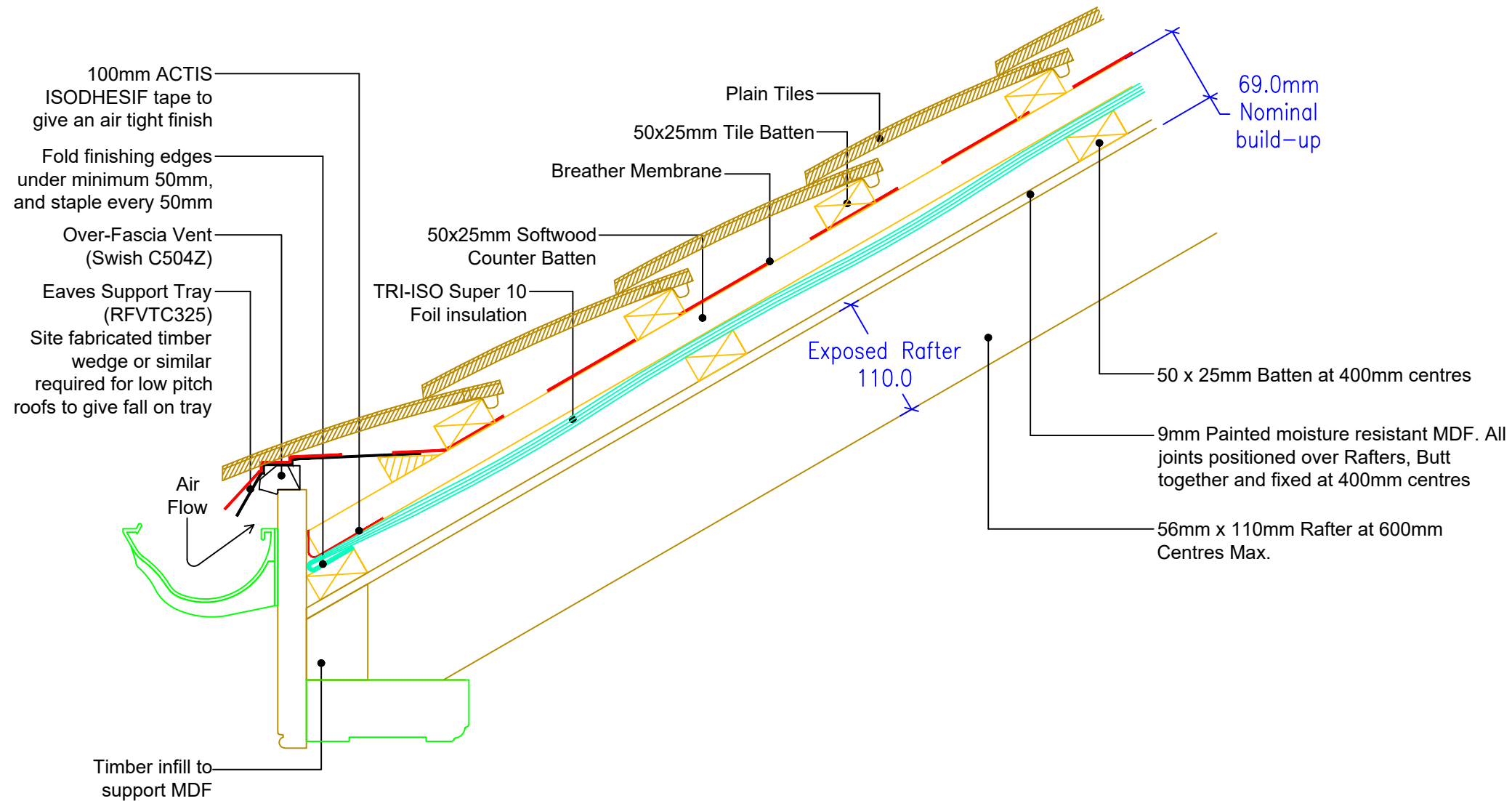
client Mr Fiddler Victoria Hotel, Station Road, Robin Hoods Bay, Yorkshire, YO22 4RL		
Drawing: Detail Section		
scale: 1:5 @A3	dwg: 10423 /06	rev: -
date: September '18		

David Salisbury

Bennett Road,
Isleport Business Park,
Highbridge, Somerset, TA9 4PW

Lantern Eaves Detail

Roof section to achieve U-value of 0.18W/m2K



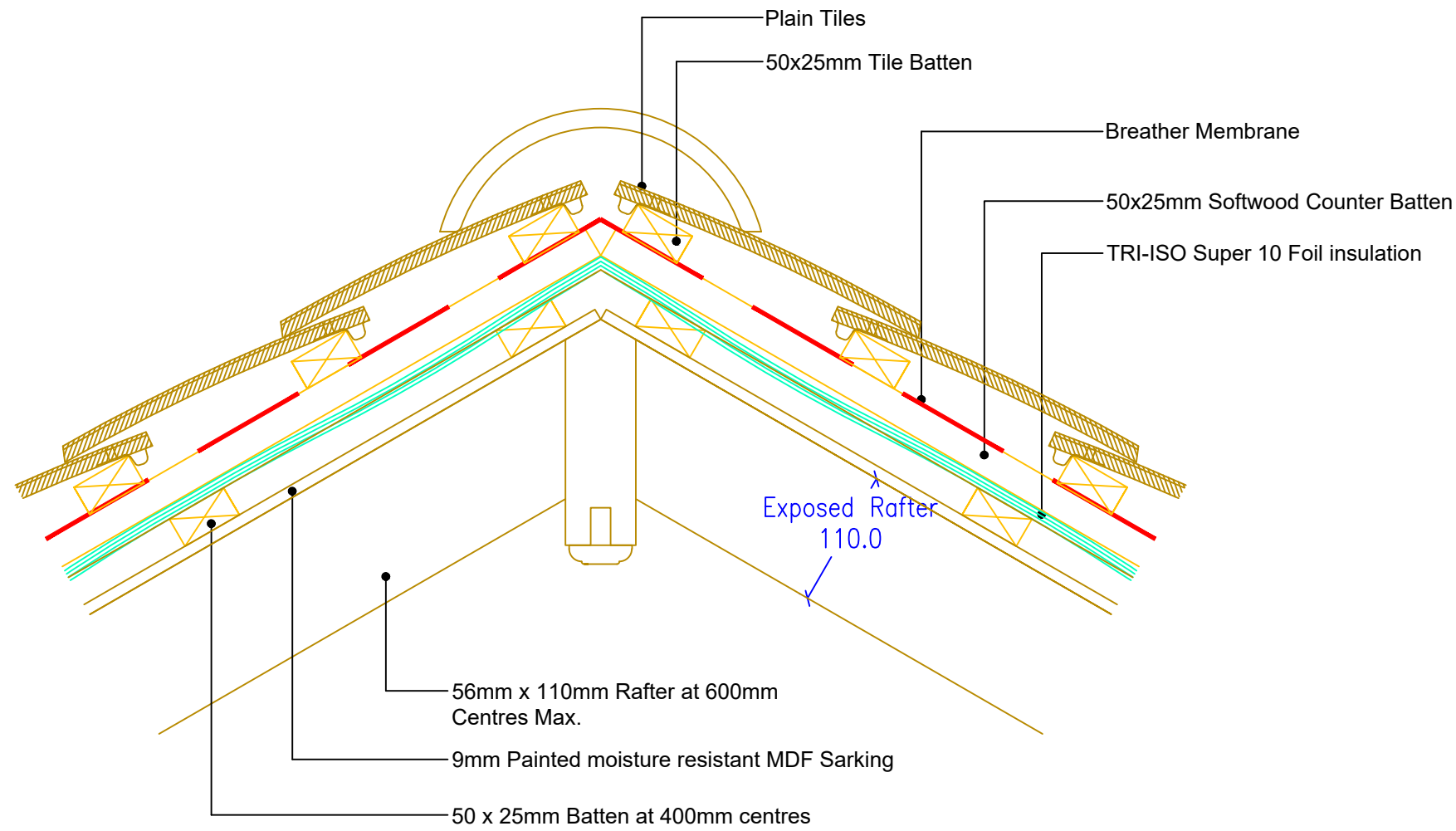
NYMNPA
12/09/2018

REVISION	DATE	COMMENT

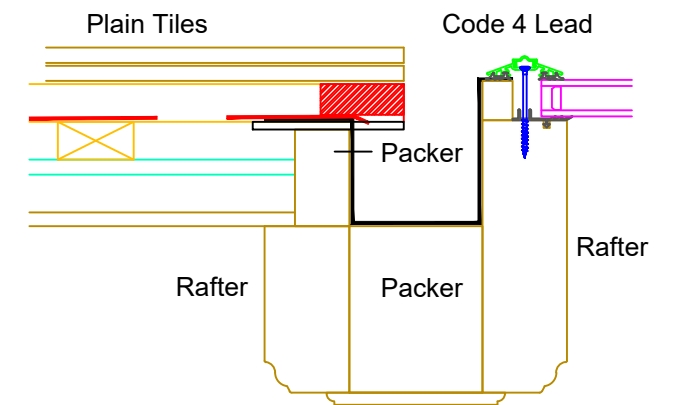
client		
Mr Fiddler Victoria Hotel, Station Road, Robin Hoods Bay, Yorkshire, YO22 4RL		
Drawing: Detail Section		
scale: 1:5 @A3	dwg: 10423 /07	rev: -
date: September '18		

David Salisbury
Bennett Road,
Isleport Business Park,
Highbridge, Somerset, TA9 4PW

Lantern Ridge Detail



Section between Tiled Roof and Glazed Roof



NYMNPA
 12/09/2018

REVISION	DATE	COMMENT

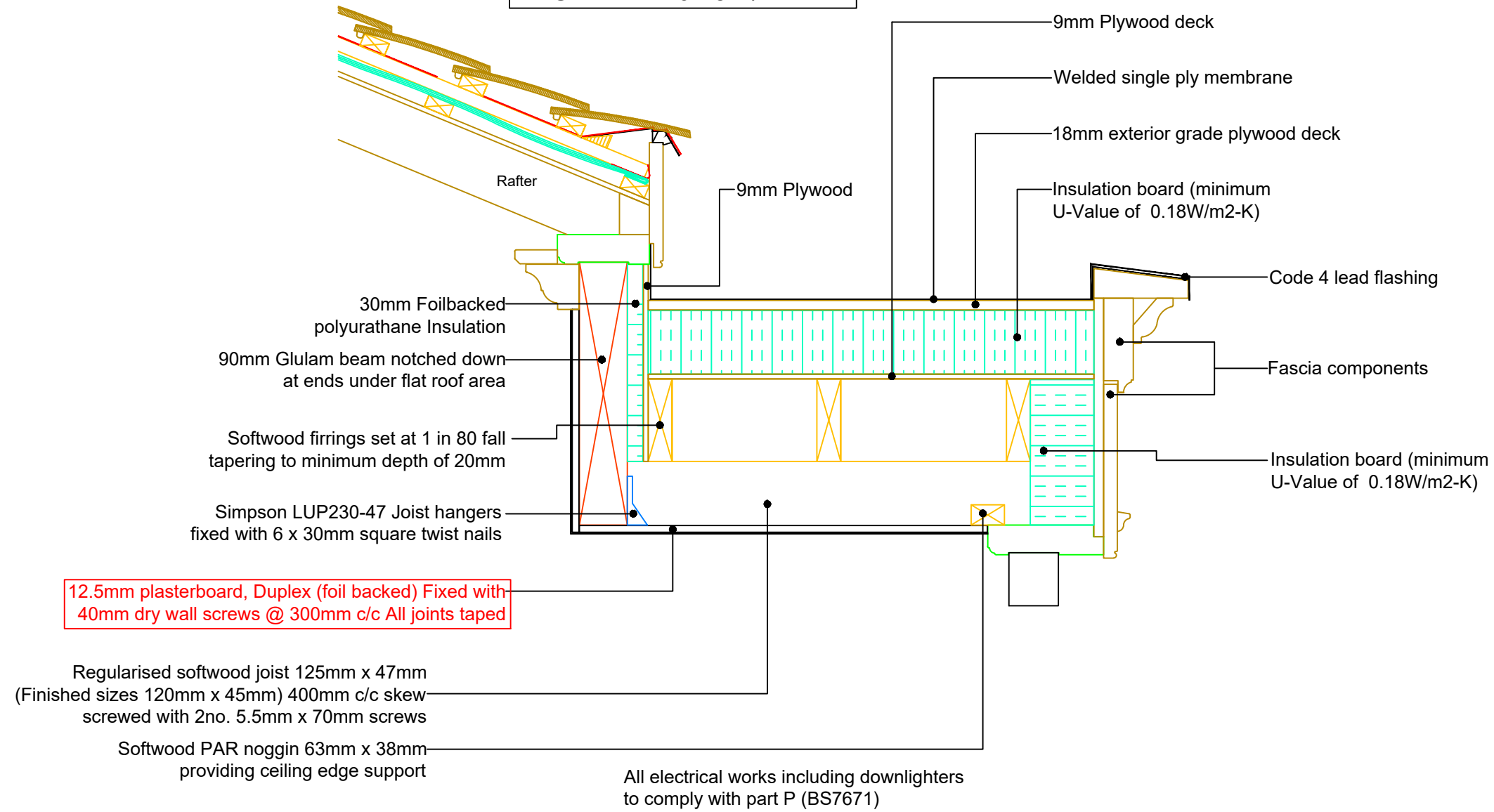
client		
Mr Fiddler Victoria Hotel, Station Road, Robin Hoods Bay, Yorkshire, YO22 4RL		
Drawing:		
Detail Section		
scale: 1:5 @A3	dwg: 10423 /08	rev: -
date: September '18		


 Bennett Road,
 Isleport Business Park,
 Highbridge, Somerset, TA9 4PW

NYMNPA

12/09/2018

Warm roof section to achieve
U-value of 0.18W/m2K



12.5mm plasterboard, Duplex (foil backed) Fixed with
40mm dry wall screws @ 300mm c/c All joints taped

REVISION	DATE	COMMENT

client Mr Fiddler Victoria Hotel, Station Road, Robin Hoods Bay, Yorkshire, YO22 4RL		
Drawing: Detail Section		
scale: 1:10 @A3	dwg: 10423 /09	rev: -
date: September '18		

David Salisbury

Bennett Road,
Isleport Business Park,
Highbridge, Somerset, TA9 4PW