

Discharge of Conditions in Respect of:

Proposed Conversion of Redundant Storage Building at The Forge, Egton, YO21 1TZ

Listed Building Consent Application ref NYM/2018/0204/LB

Planning Application ref NYM/2018/0201/FL

Applicant – Mr & Mrs Grayson

The following details are in support of an application for Discharge of Matters Reserved by Condition.

Condition 3 re NYM/2018/0204/LB

Condition 4 re NYM/2018/0201/FL

A sample panel of stonework and pointing is available on site for inspection.

Condition 4 re NYM/2018/0204/LB

Condition 5 re NYM/2018/0201/FL

Details of doors are shown on attached drawing 2327:9.

Condition 5 re NYM/2018/0204/LB

Condition 6 re NYM/2018/0201/FL

Details of windows are shown on attached drawings 2327:7 and 2327:8

Condition 7 re NYM/2018/0204/LB

Condition 8 re NYM/2018/0201/FL

A sample panel of joinery is available on site for inspection.

Condition 8 re NYM/2018/0204/LB

Condition 9 re NYM/2018/0201/FL

Extractor fan outlets through walls as shown on drawing 2327:4A will be 150x150mm cast iron in colour black as follows:

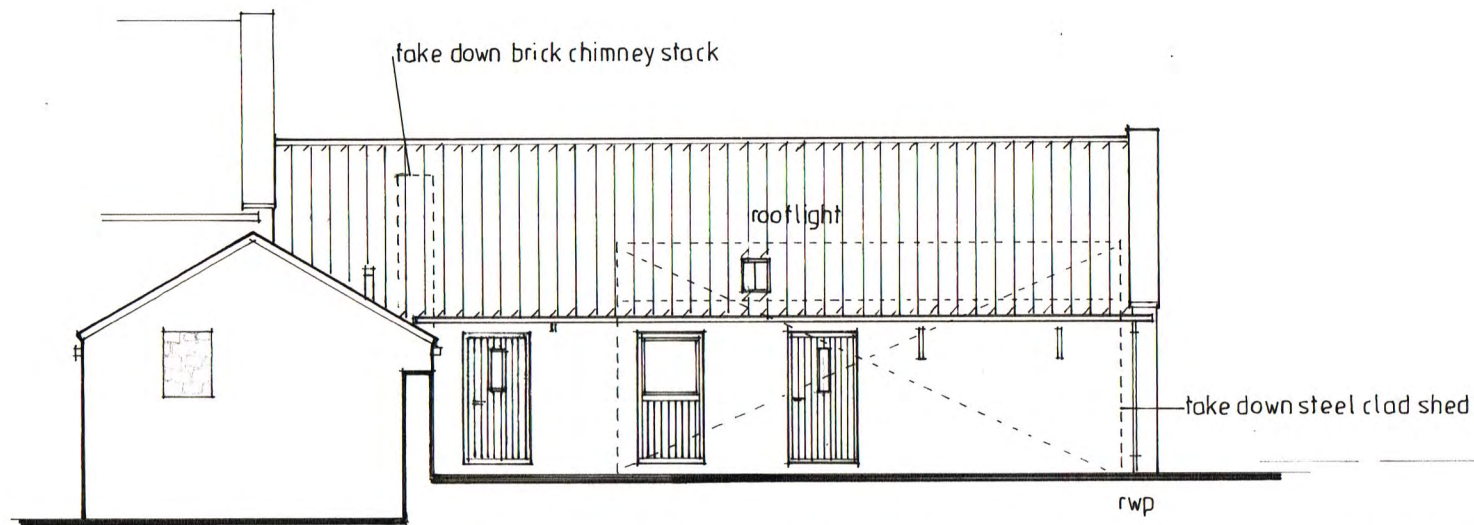


Extractor fan outlets through roofs as shown on drawing 2327:4A will be in-line clay as follows:

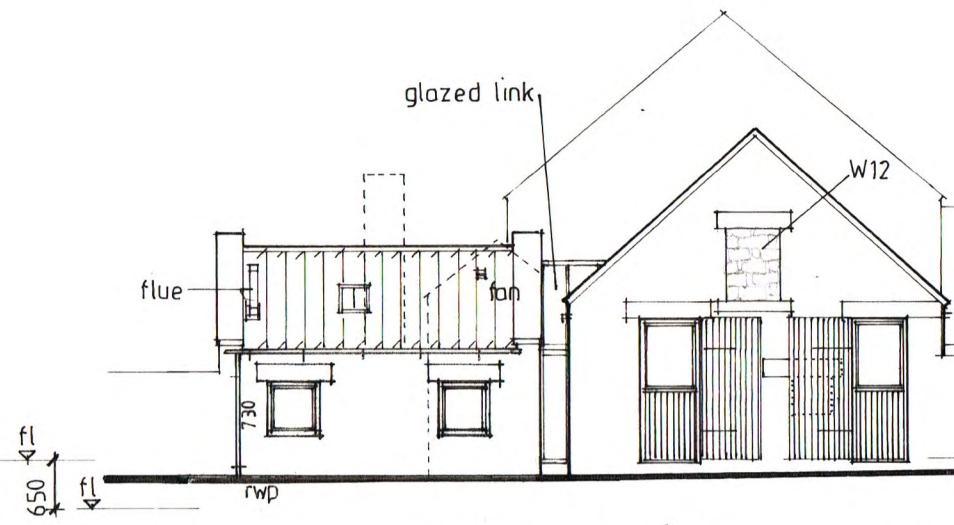


Condition 10 re NYM/2018/0201/FL

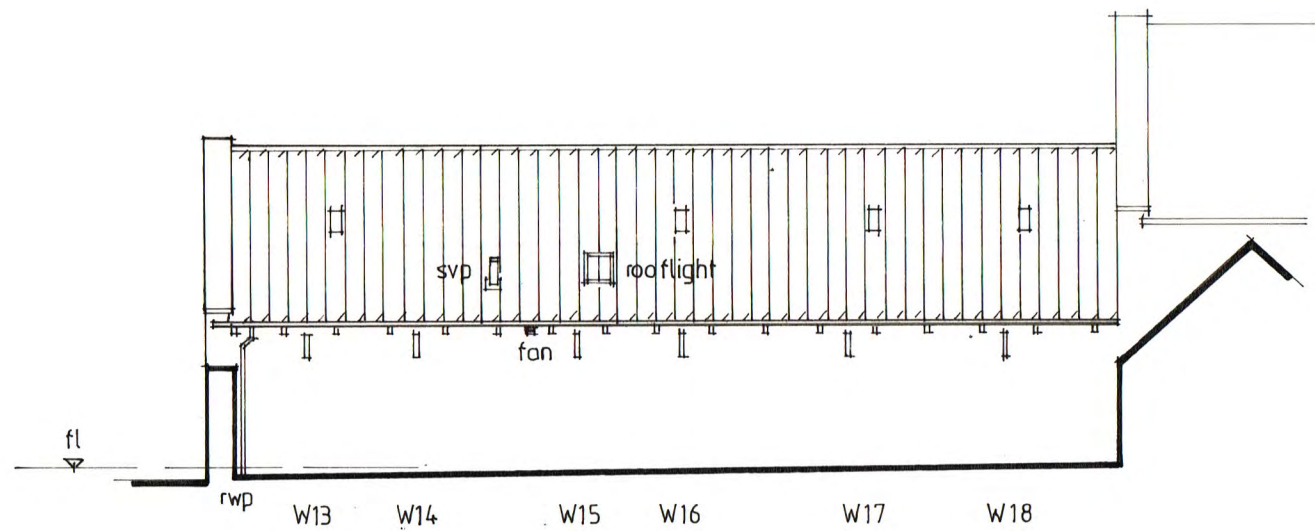
Surface treatment to access and parking areas will be as shown on drawing 2327:5A.



West Elevation

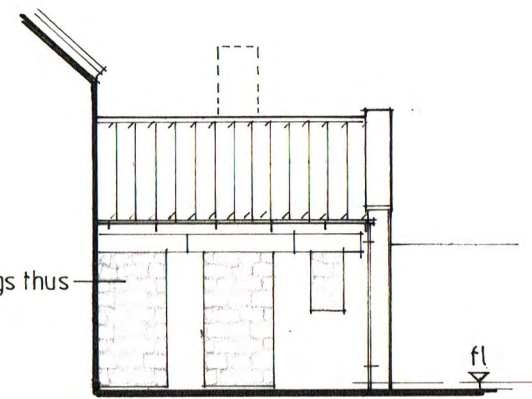


South Elevation



East Elevation

wall up existing openings thus in matching stonework



North Elevation

Read this drawing in conjunction with drawing 2327:3

External Materials
New external materials shall match existing materials in type, size, colour and texture and shall be to the specific approval of NYMNP and any condition of planning permission that may apply.

Roof Covering
Recover the existing roof in red, clay pantiles re-using as many existing reclaimed tiles as possible. Incorporate the existing glass pantiles. Ridge tiles in red clay bed and pointed on lime mortar.

Rooflights
Where indicated by The Rooflight Company in conservation pattern type Neo S2 with viewable area of 539x379mm.

Guttering and fallpipes
All guttering in half round cast iron onto stone corbels on the main building and onto steel rise and fall brackets on the secondary building. All fallpipes in 63mm diam. cast iron. Re-use the existing guttering and fallpipes as far as possible if in salvageable condition after removal. New fittings to match existing in pattern.

Walls
Repair all existing stonework on a like for like basis. Rake out and repoint the whole using a lime mortar mix.

Walling up in coursed, local stone with bed and pointing in lime mortar. In walled up openings set the face of the wall into the reveals by 70mm. Repair works shall be carried out in matching and aligning stonework.

Windows and Doors
Replace all existing frames and doors. All new windows and doors in dark stained timber finish with frames set 70mm into reveals fitted with double glazed units and boarded lower panels where shown. Glazing to the slits shall be frameless fixed directly to the stonework.

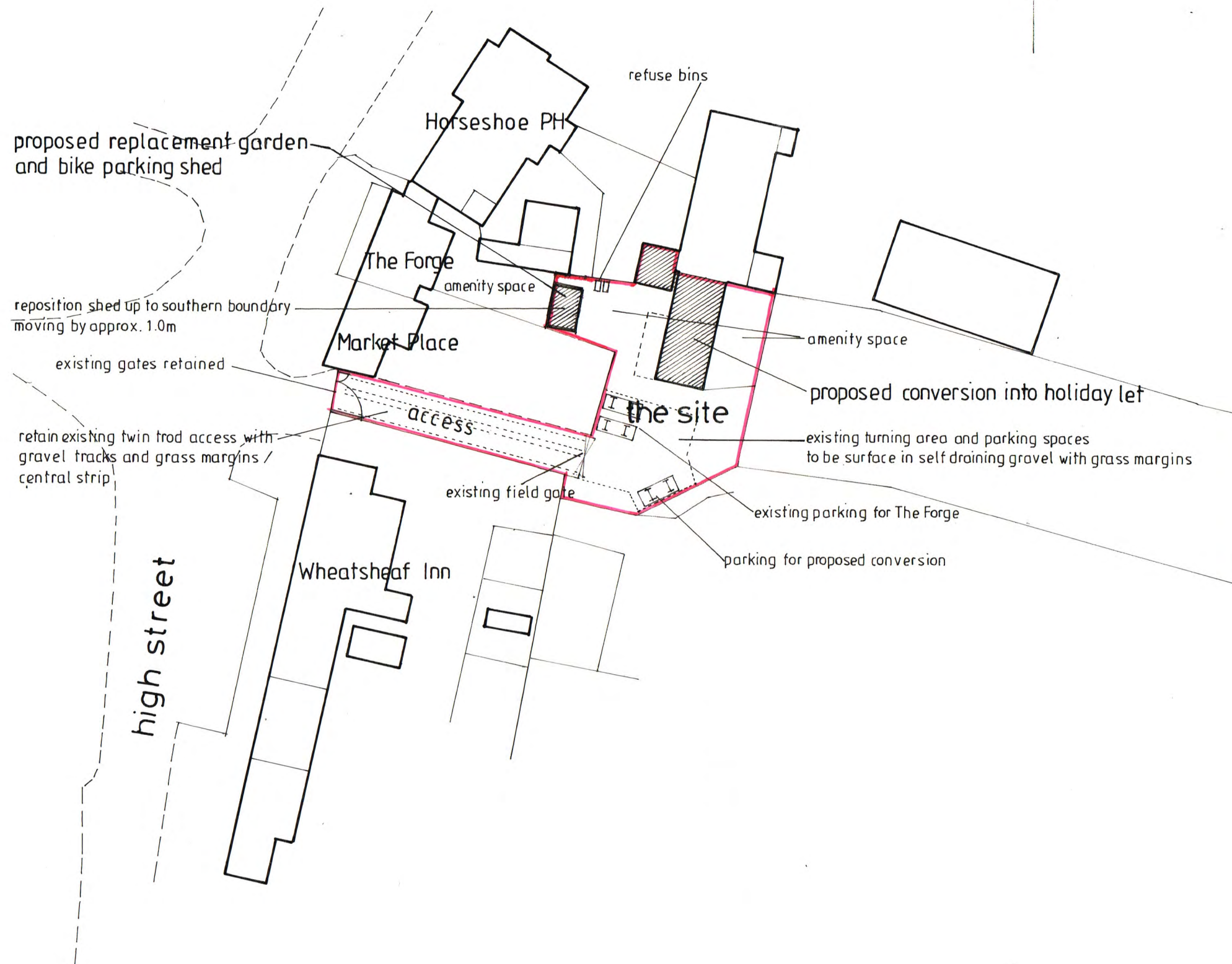
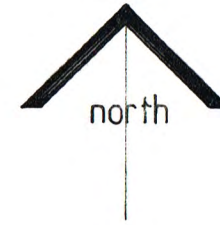
revision	description	date
A	Door ED3 omitted windows W3 and W4 changed notes updated	07.18

The contractor shall check all dimensions on site and report discrepancies before work commences. No dimension shall be scaled off this drawing. ©Copyright of this drawing is retained by A L Turner

client	Mr & Mrs Grayson
project	Proposed Conversion of Redundant Storage Building at The Forge, Egton, YO21 1TZ
title	Elevations as Proposed

A L Turner + Associates
1 LORING ROAD, RAVENSCAR, SCARBOROUGH, YO13 0LY

date	scale	dwg size	drawn
02.18	1:100	A3	ALT
issue	planning	drawing no.	rev.
		2327:4	A



A	Parking area reduced in extent trod access confirmed	07.18
revision	description	date

The contractor shall check all dimensions on site and report discrepancies before work commences. No dimension shall be scaled off this drawing. ©Copyright of this drawing is retained by A L Turner

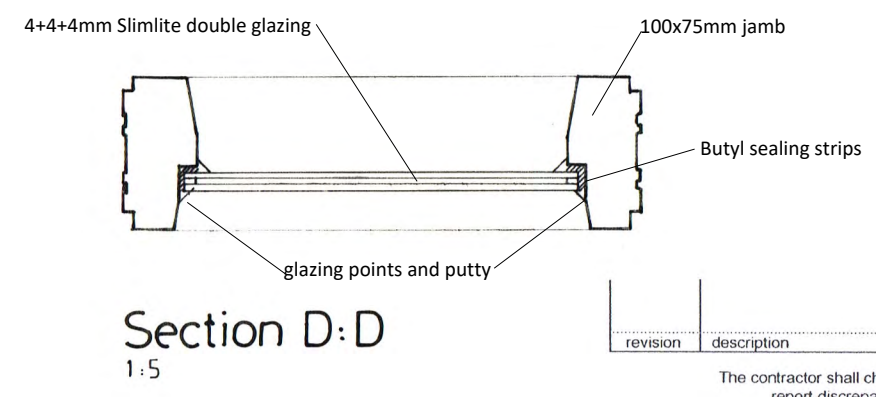
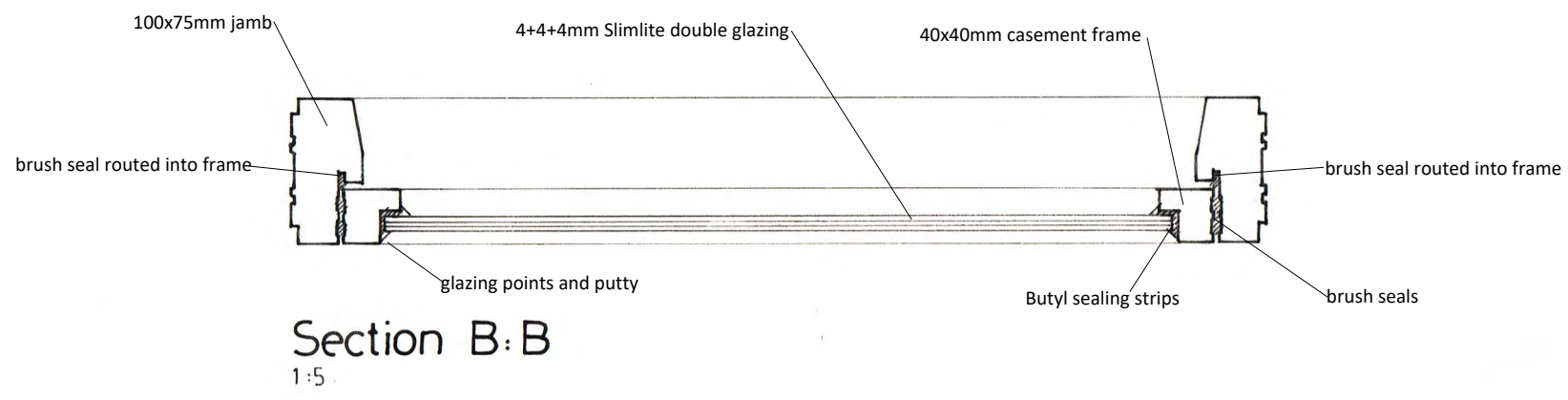
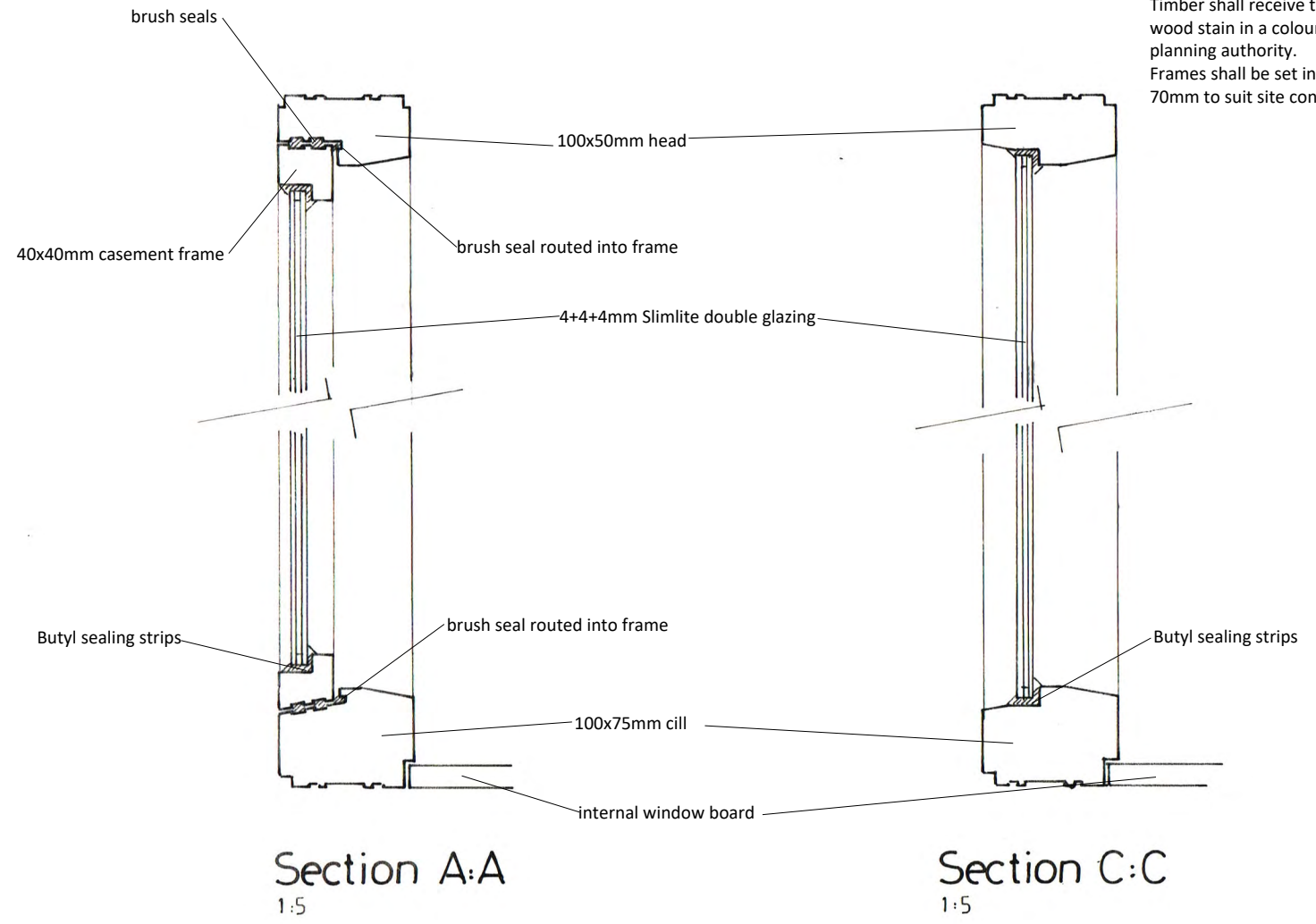
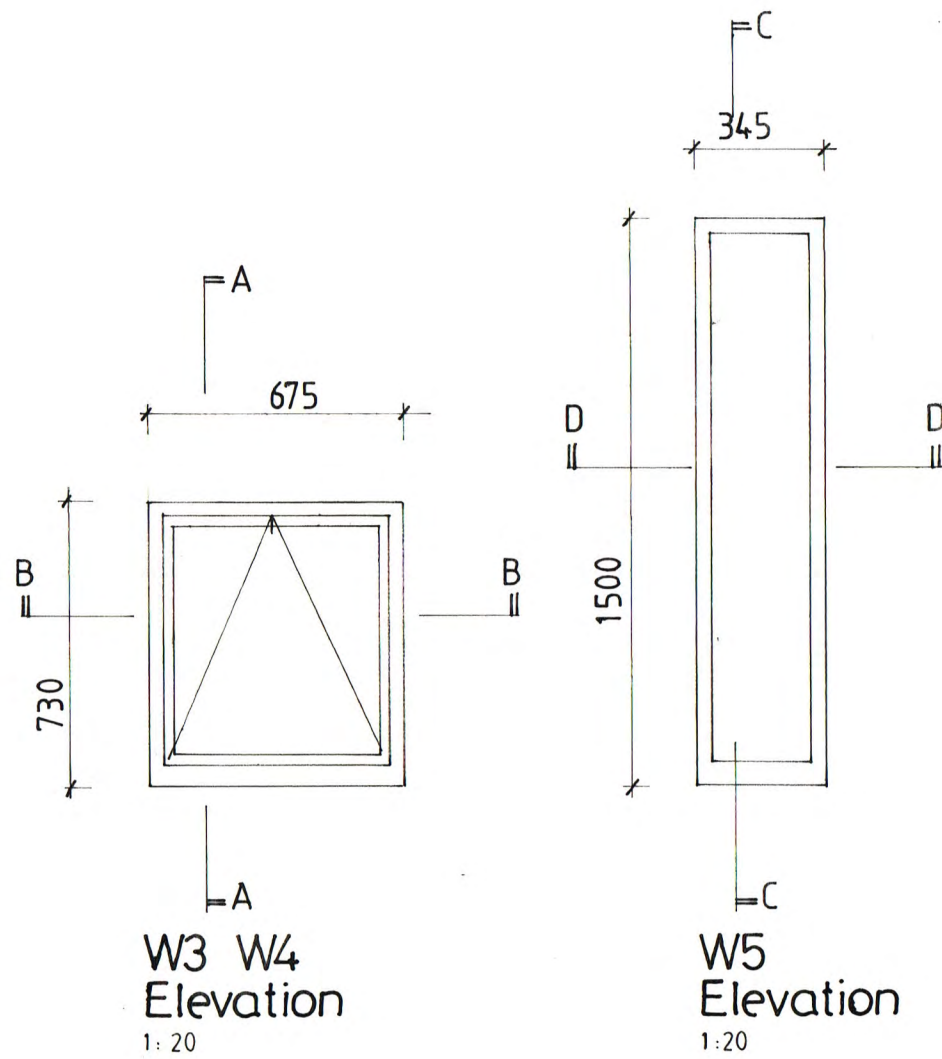
client	Mr & Mrs Grayson
project	Proposed Conversion of Redundant Storage Building at The Forge, Egton, YO21 1TZ
title	Site Layout / Block Plan

A L Turner + Associates
1 LORING ROAD, RAVENSCAR, SCARBOROUGH, YO13 0LY

date	scale	dwg size	drawn
02.18	1:500	A3	ALT
issue	drawing no.	rev.	
planning	2327:5	A	

Specification

Frames and component parts shall be manufactured from sustainably sourced European Redwood.
 Timber shall be of best quality and knot free.
 Timber shall receive two coats of exterior grade wood stain in a colour approved by the local planning authority.
 Frames shall be set into the reveals by not less than 70mm to suit site conditions.



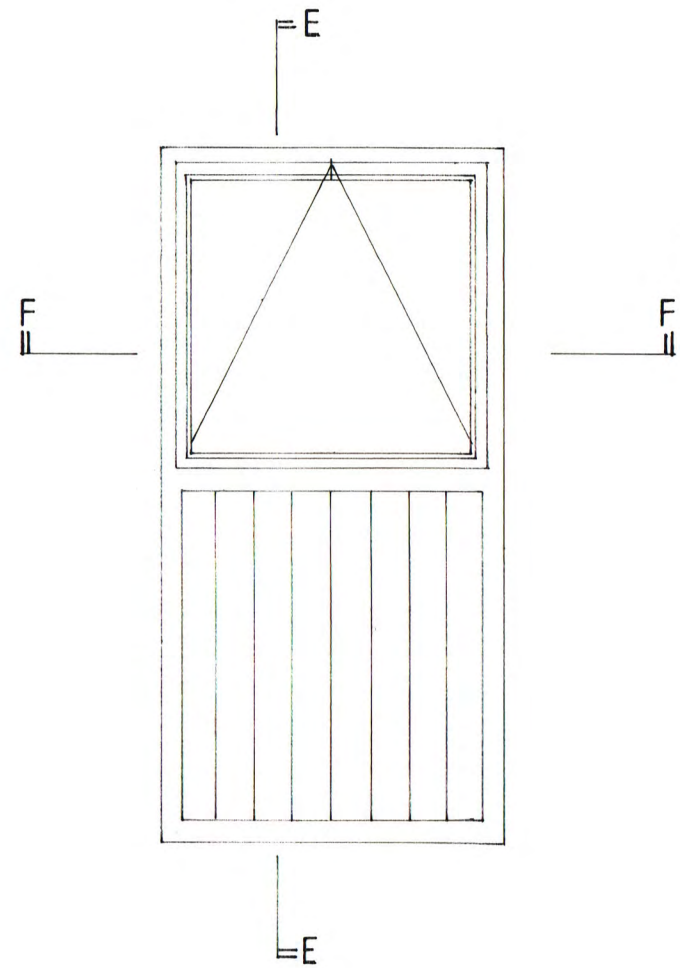
revision	description	date

The contractor shall check all dimensions on site and report discrepancies before work commences.
 No dimension shall be scaled off this drawing.
 ©Copyright of this drawing is retained by A.L. Turner

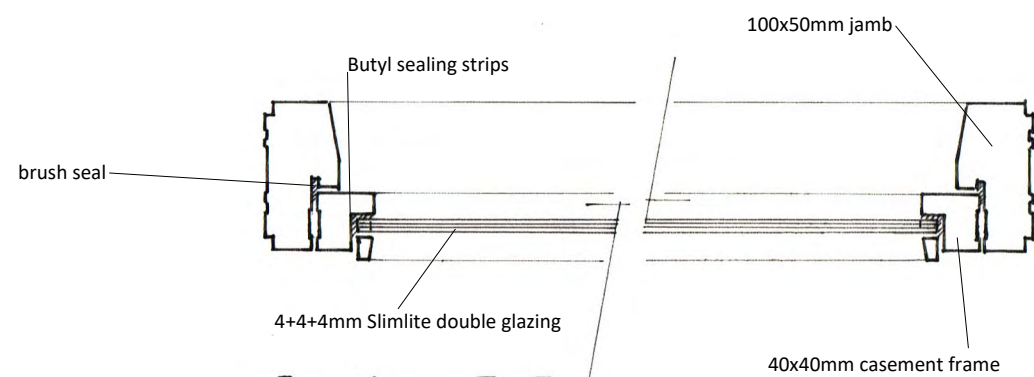
client	Mr & Mrs Grayson
project	Proposed Conversion of Redundant Storage Building at The Forge, Egton, YO21 1TZ
title	Window Frame Details W3, W4 and W5

A L Turner + Associates 1 LORING ROAD, RAVENSCAR, SCARBOROUGH, YO13 0LY			
date	scale	dwg size	drawn
12.18	1:20 1:5	A3	ALT
issue	drawing no.		rev.
final	2327:7		

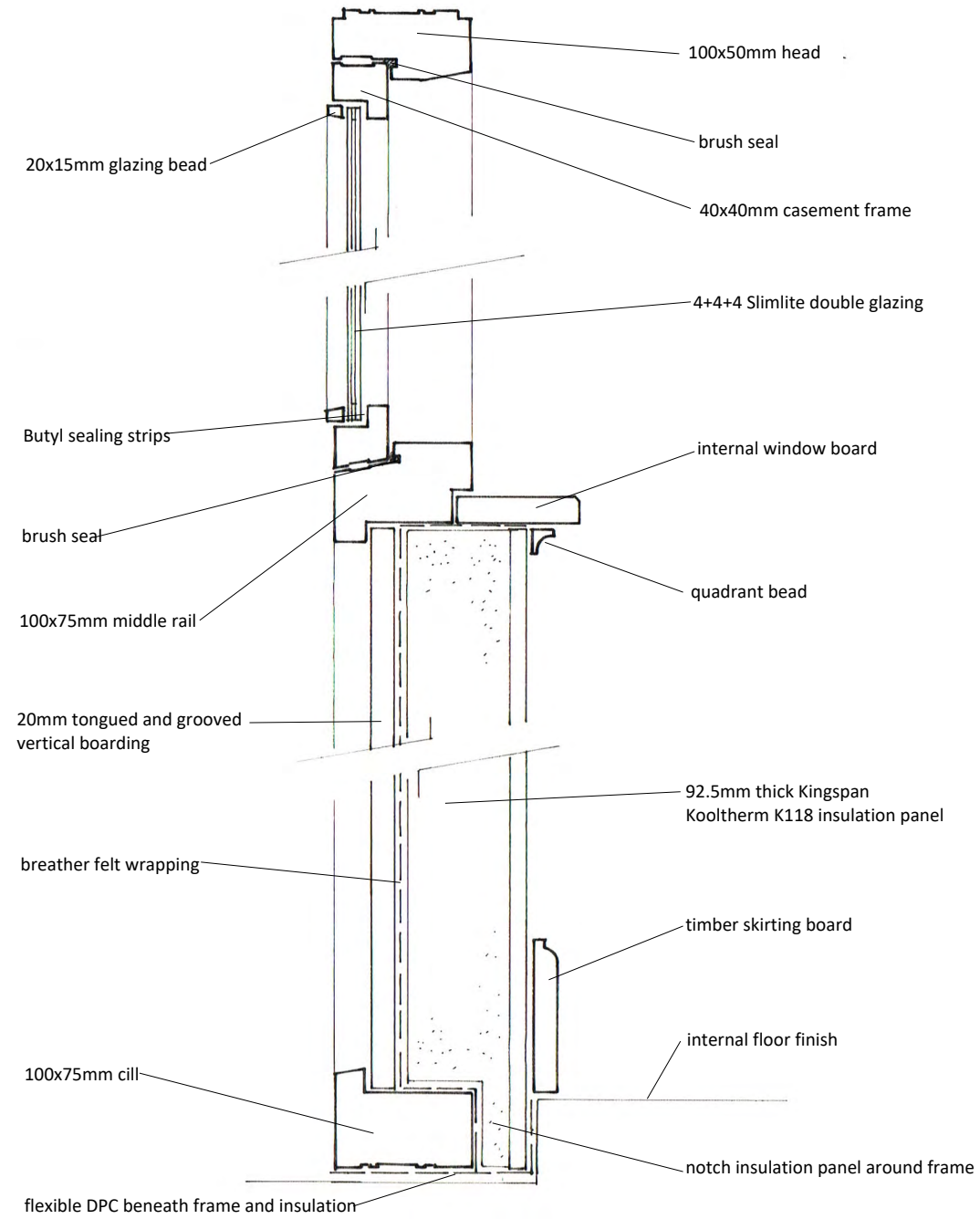
Specification Frames and component parts shall be manufactured from sustainably sourced European Redwood. Timber shall be of best quality and knot free. Timber shall receive two coats of exterior grade wood stain in a colour approved by the local planning authority. Frames shall be set into the reveals by not less than 70mm to suit site conditions.



W7 W10 W11
Elevation
1:20



Section F:F
1:5



Section E:E
1:5

revision	description	date

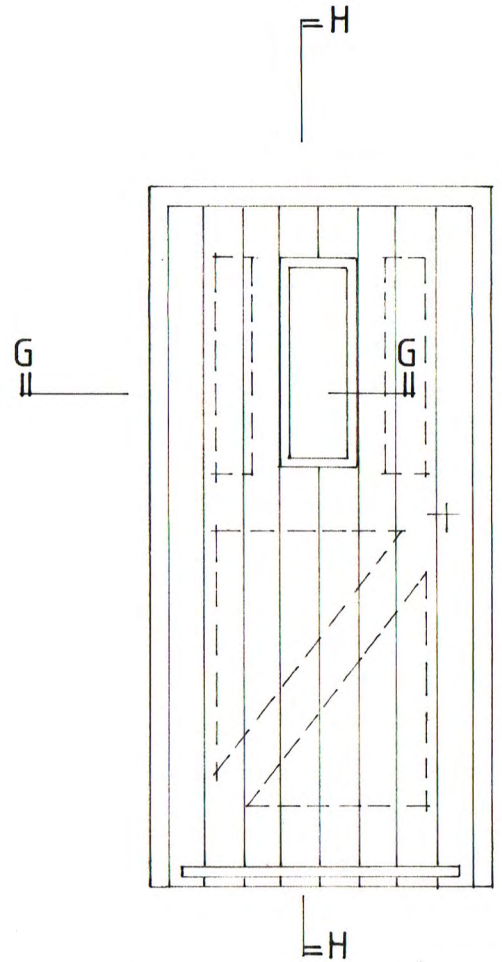
The contractor shall check all dimensions on site and report discrepancies before work commences. No dimension shall be scaled off this drawing. ©Copyright of this drawing is retained by A L Turner

client	Mr & Mrs Grayson
project	Proposed Conversion of Redundant Storage Building at The Forge, Egton, YO21 1TZ
title	Window Frame Details W7, W10 and W11

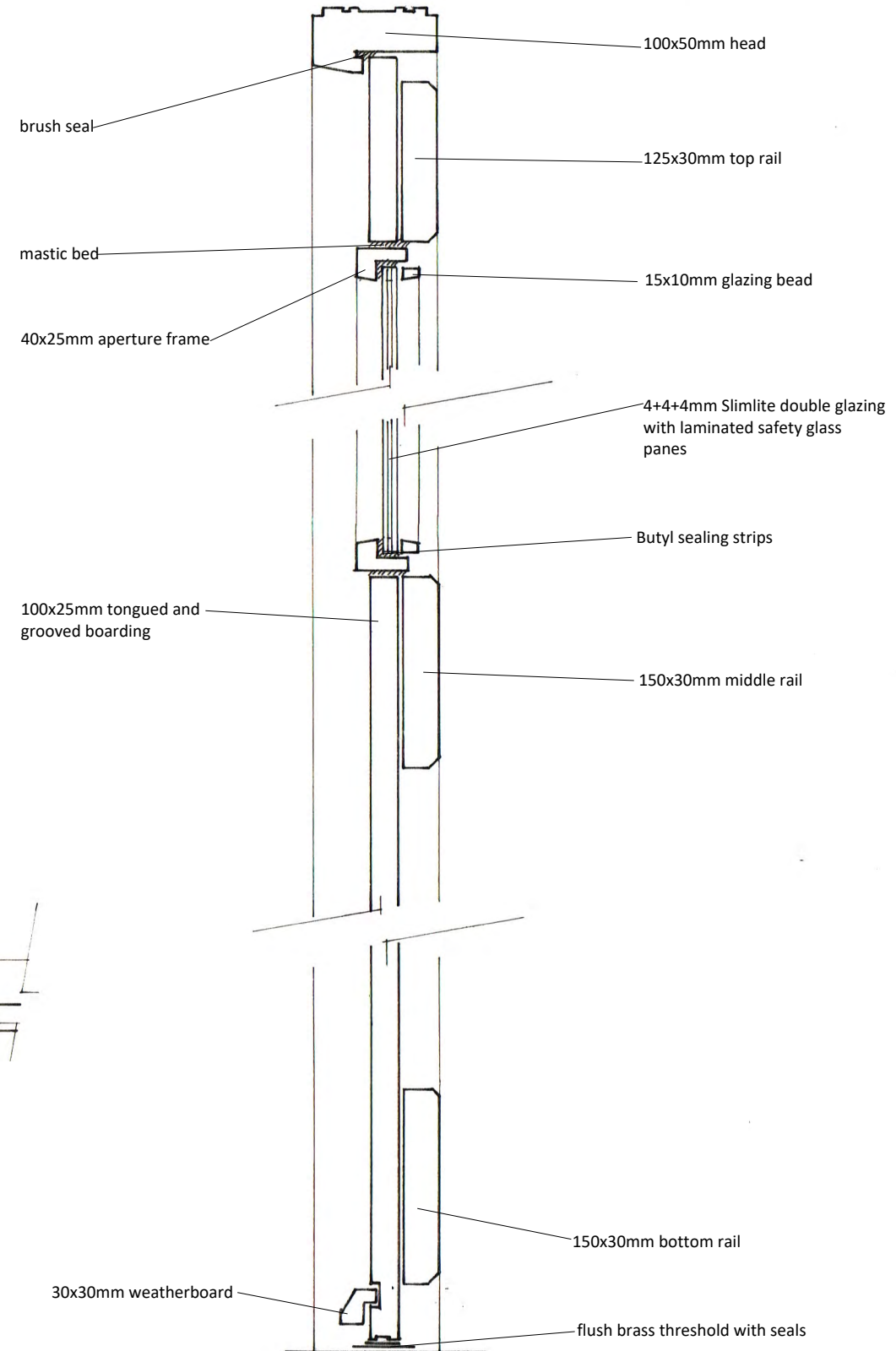
A L Turner + Associates
1 LORING ROAD, RAVENSCAR, SCARBOROUGH, YO13 0LY

date	scale	dwg size	drawn
12.18	1:20 1:5	A3	ALT
issue	drawing no.	rev.	
final	2327:8		

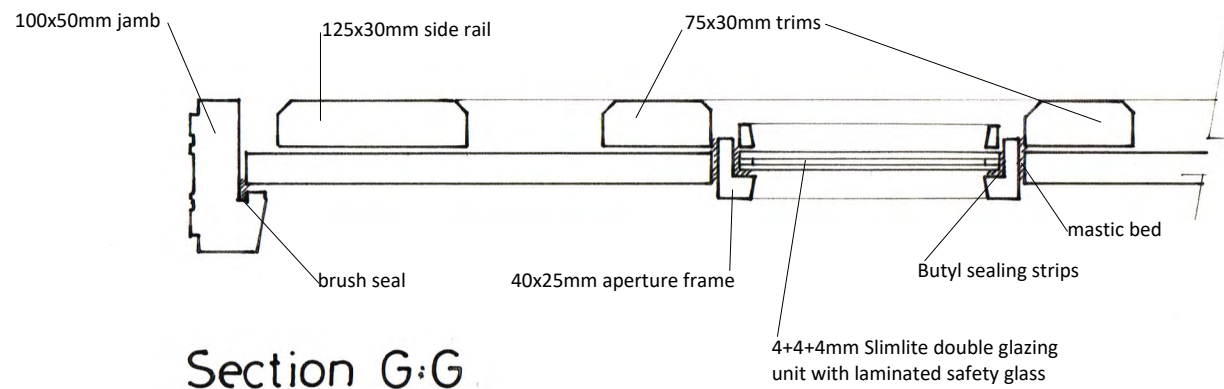
Specification Frames and component parts shall be manufactured from sustainably sourced European Redwood. Timber shall be of best quality and knot free. Timber shall receive two coats of exterior grade wood stain in a colour approved by the local planning authority. Frames shall be set into the reveals by not less than 70mm to suit site conditions.



Doors ED4 ED5
1:20



Section H:H
1:5



Section G:G
1:5

revision	description	date

The contractor shall check all dimensions on site and report discrepancies before work commences. No dimension shall be scaled off this drawing. ©Copyright of this drawing is retained by A.L. Turner

client	Mr & Mrs Grayson
project	Proposed Conversion of Redundant Storage Building at The Forge, Egton, YO21 1TZ
title	Door Details ED4 and ED5

A L Turner + Associates			
1 LORING ROAD, RAVENSCAR, SCARBOROUGH YO13 0LV			
date	scale	dwg size	drawn
12.18	1:20 1:5	A3	ALT
issue	drawing no.	rev	
final	2327:9		