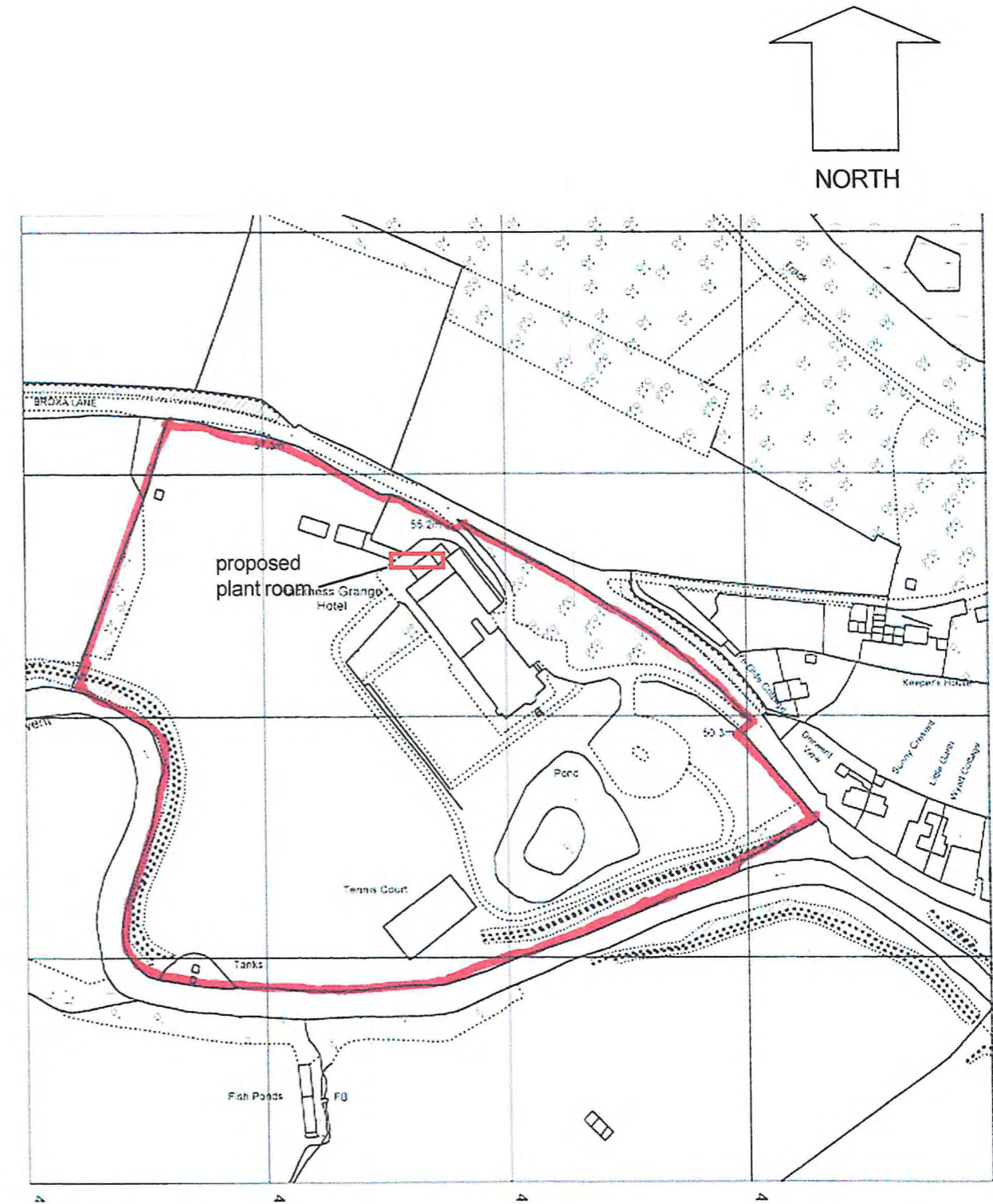


Proposed New Heating Installation at the Hackness Grange Hotel
 Hackness, Scarborough, North Yorkshire
 For: Mr. R. Brooks



Aerial View

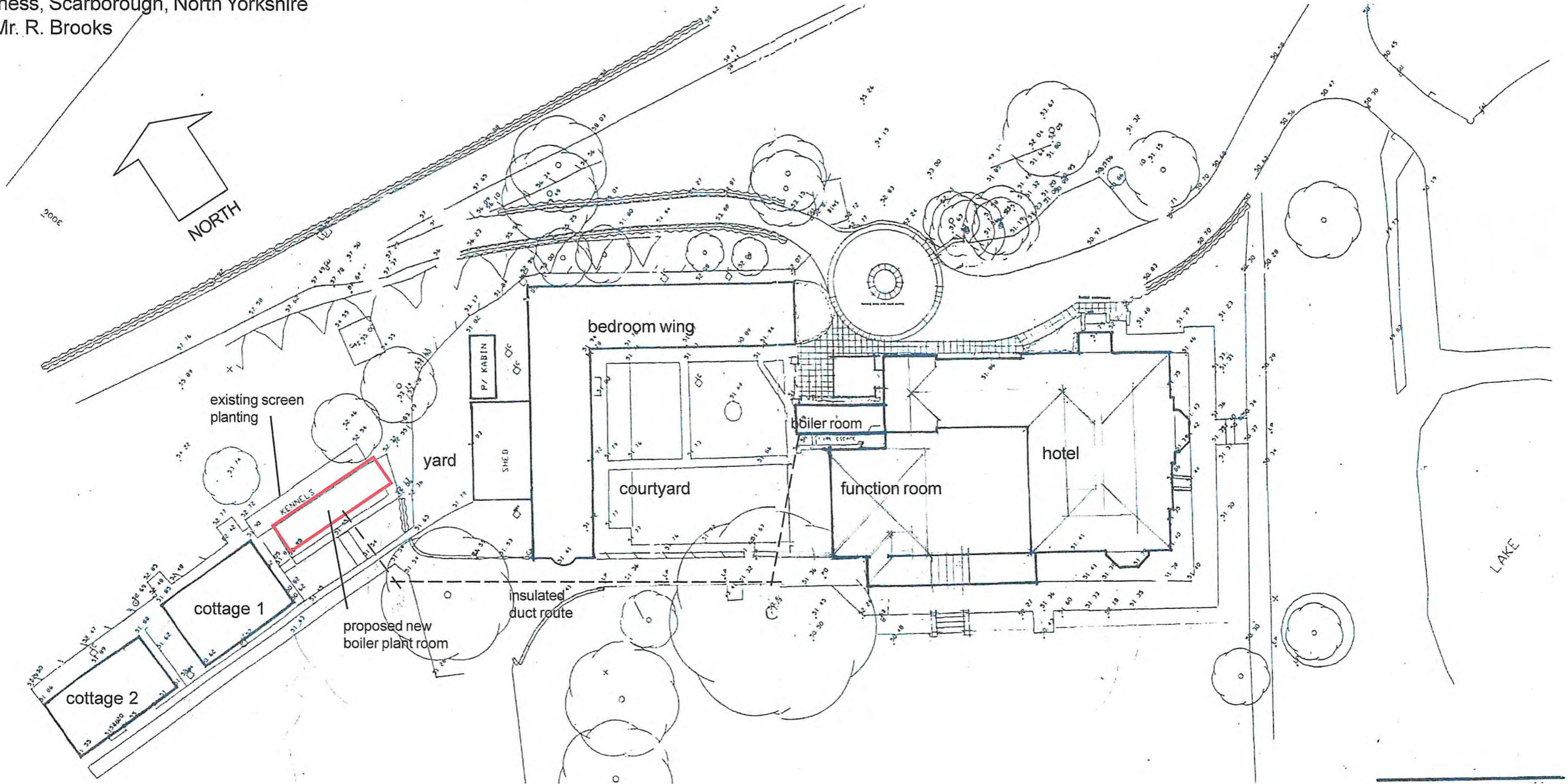
NYMNP
 19/02/2019



Location Plan

scale 1:2500 & N.T.S.. (at A3)
 date Feb '19
 ref. 1577/04

Proposed New Heating Installation at the Hackness Grange Hotel
 Hackness, Scarborough, North Yorkshire
 For: Mr. R. Brooks

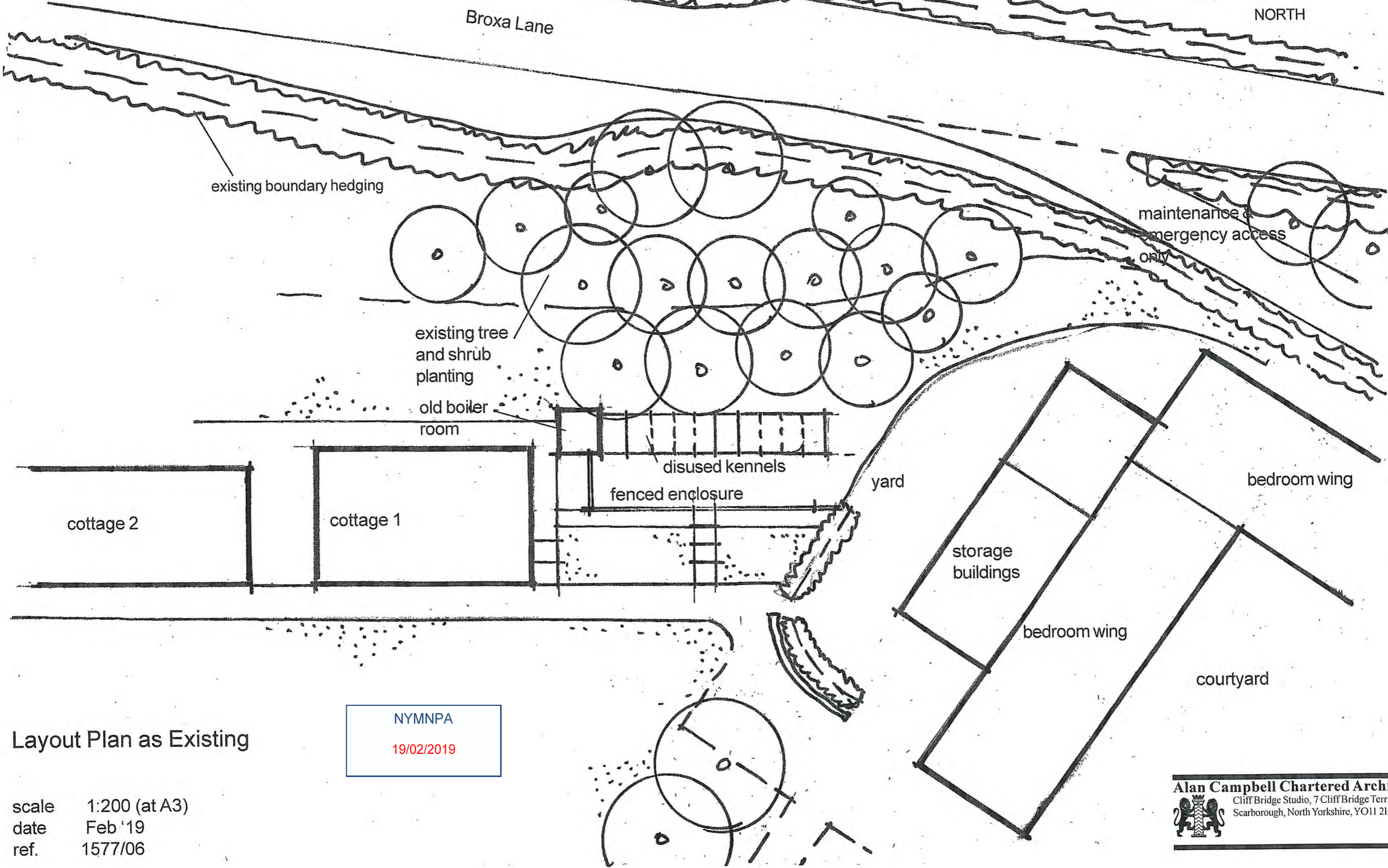
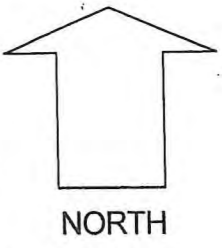


Site Layout Plan - Proposed position of new plant room

NYMNP
 19/02/2019

scale 1:500 (at A3)
 date - Feb '19
 ref. 1577/05

Proposed New Heating Installation at the Hackness Grange Hotel
Hackness, Scarborough, North Yorkshire
For: Mr. R. Brooks

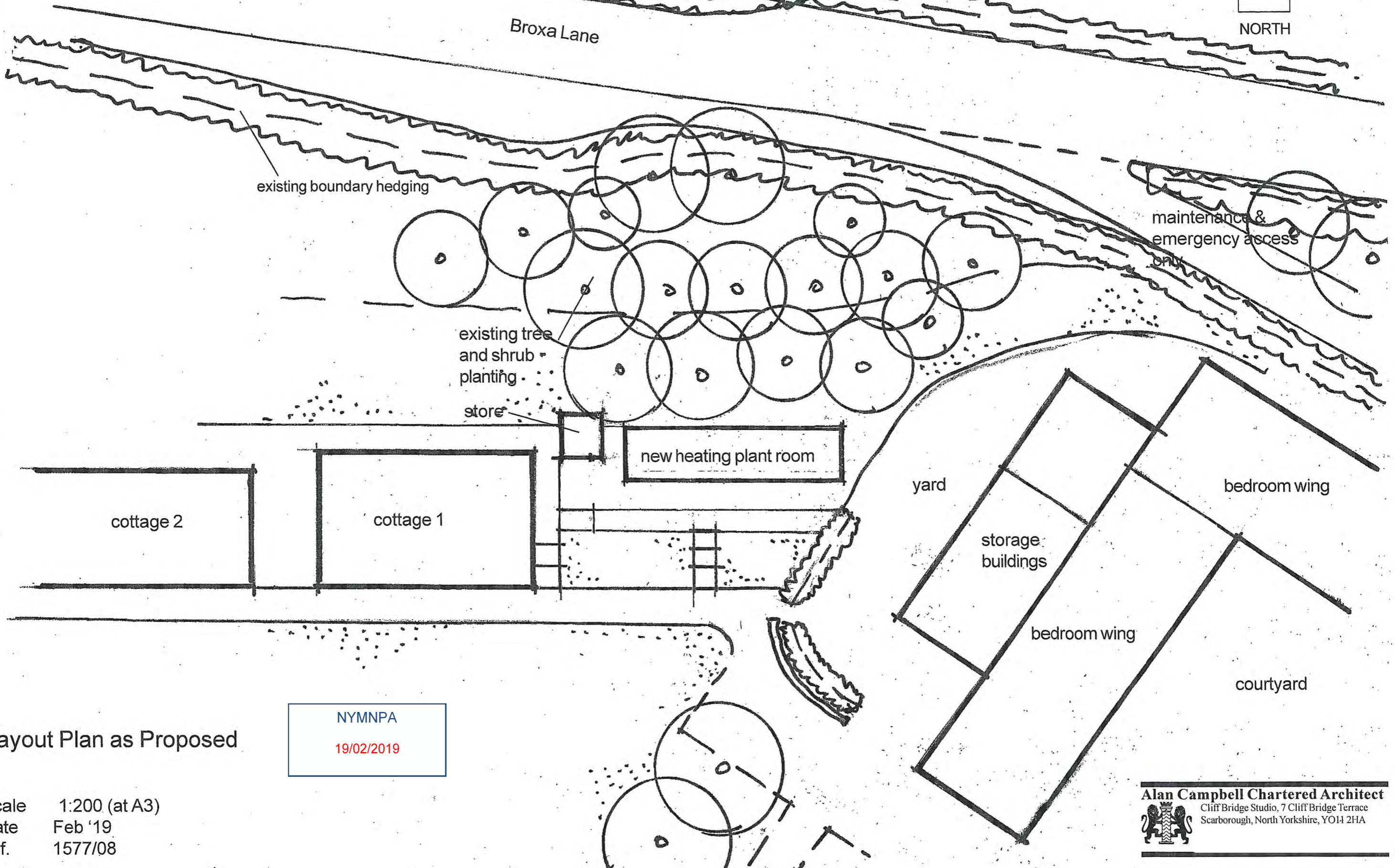
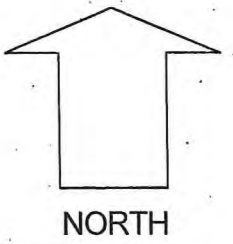


Layout Plan as Existing

NYMNPA
19/02/2019

scale 1:200 (at A3)
date Feb '19
ref. 1577/06

Proposed New Heating Installation at the Hackness Grange Hotel
Hackness, Scarborough, North Yorkshire
For: Mr. R. Brooks

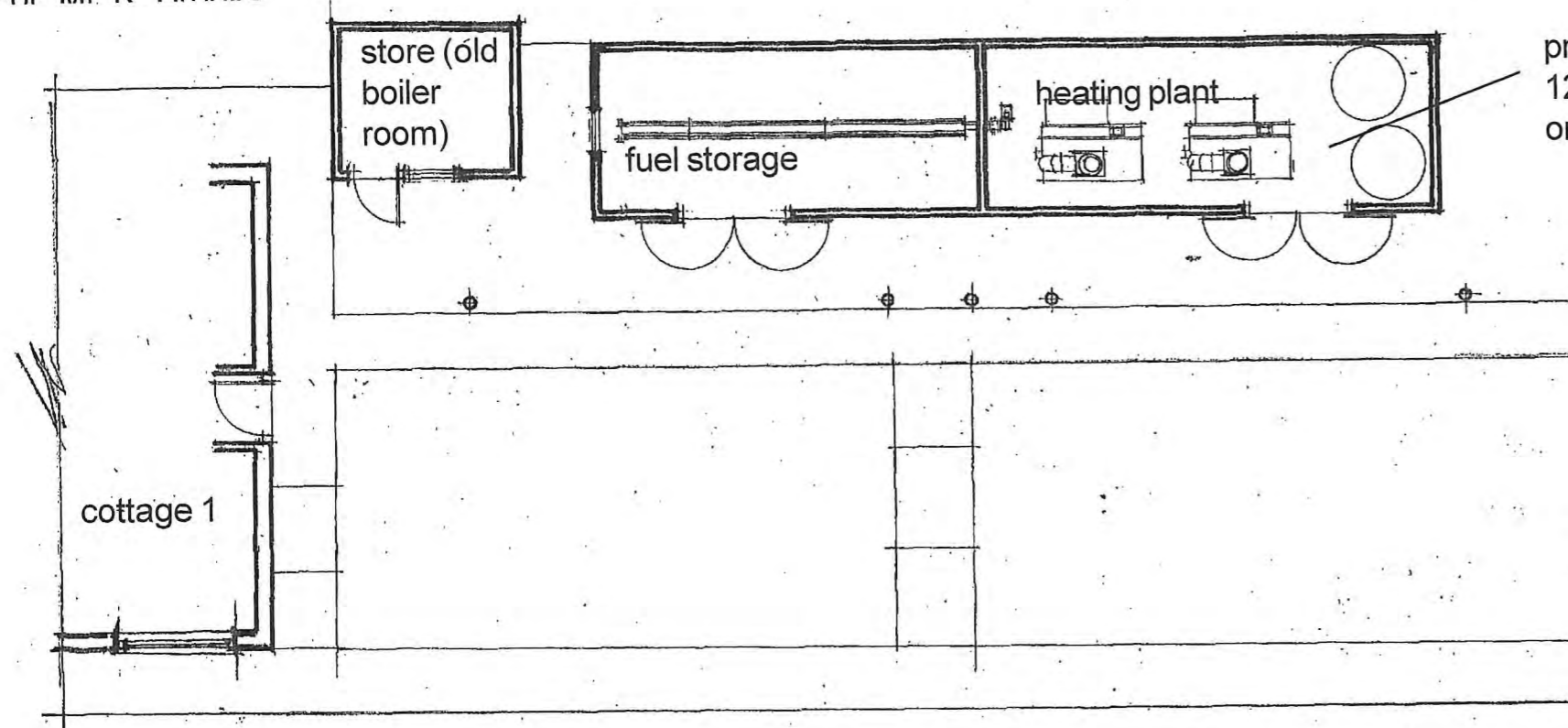


Layout Plan as Proposed

NYMNP
19/02/2019

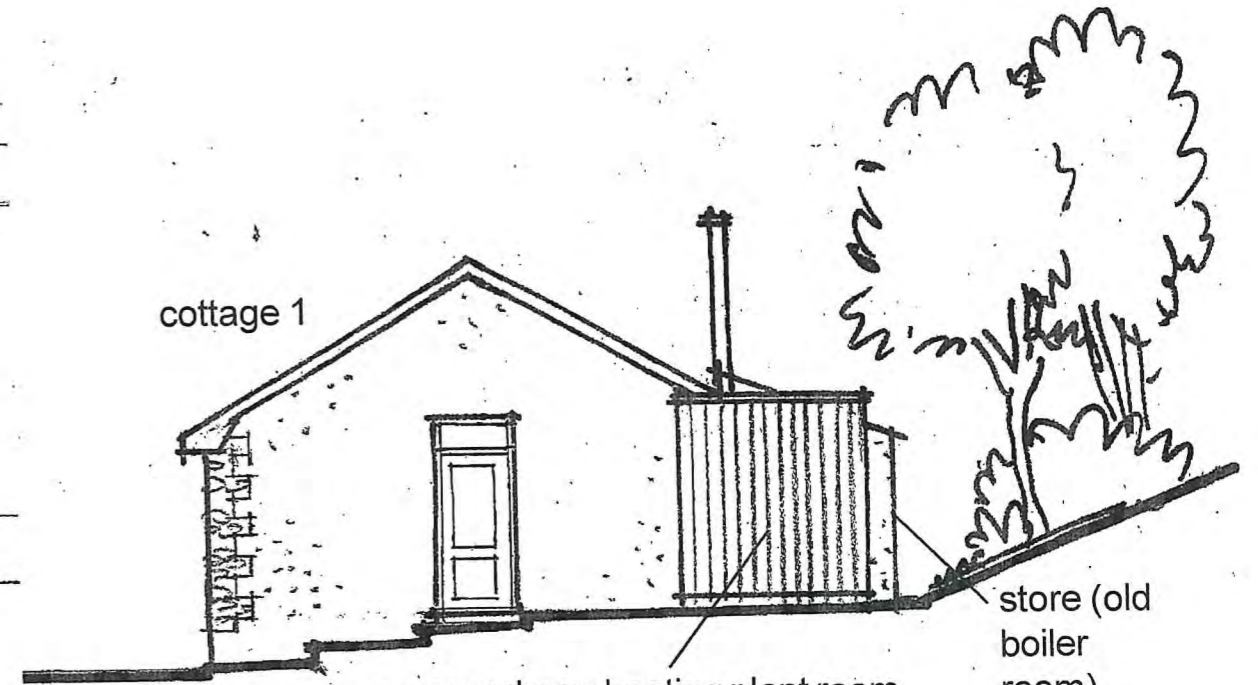
scale 1:200 (at A3)
date Feb '19
ref. 1577/08

Proposed New Heating Installation at the Hackness Grange Hotel
 Hackness, Scarborough, North Yorkshire
 For: Mr. R. Brooks



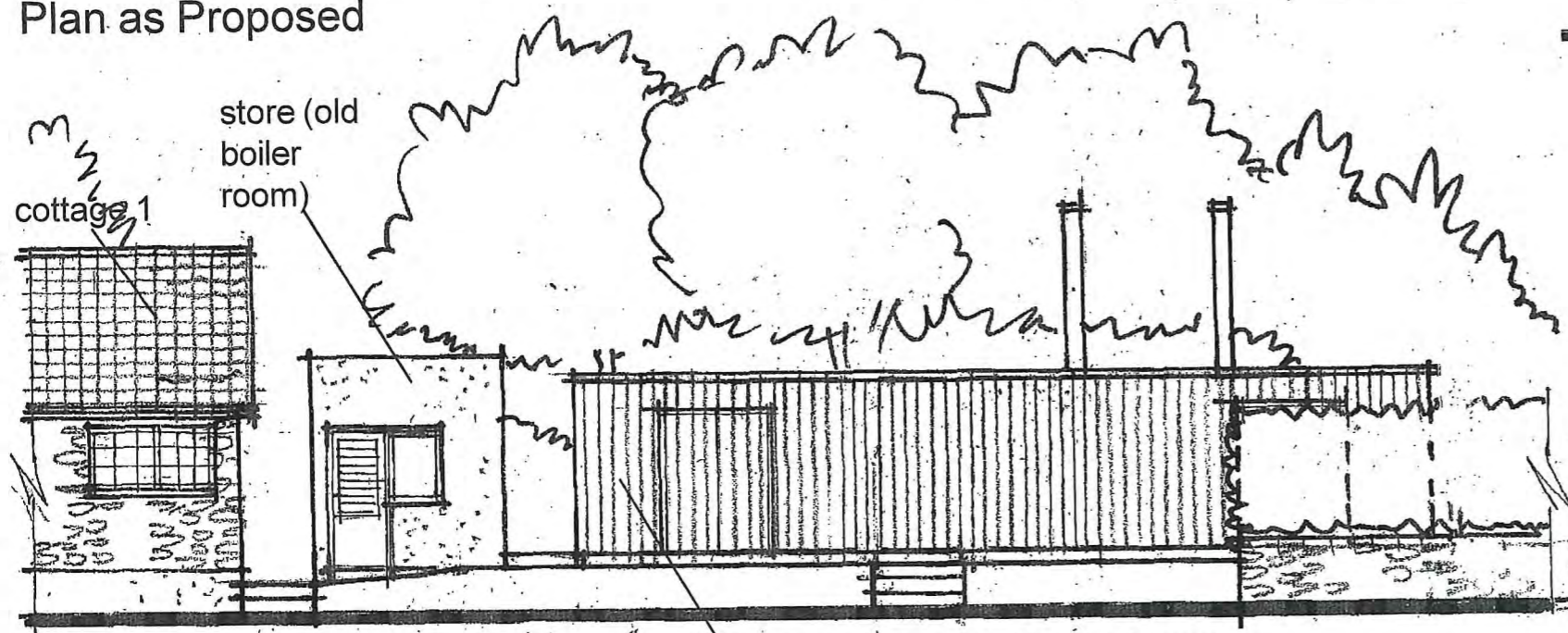
proposed new heating plant room
 12 x 2.7 x 2.7(h) prefabricated unit
 on site of demolished kennels

Plan as Proposed



proposed new heating plant room
 (NB west elevation identical with fuel loading hatch)

East Elevation as Proposed



proposed new heating plant room
 (NB north elevation boarded with no doors)

South Elevation as proposed

Plan & Elevations as Proposed

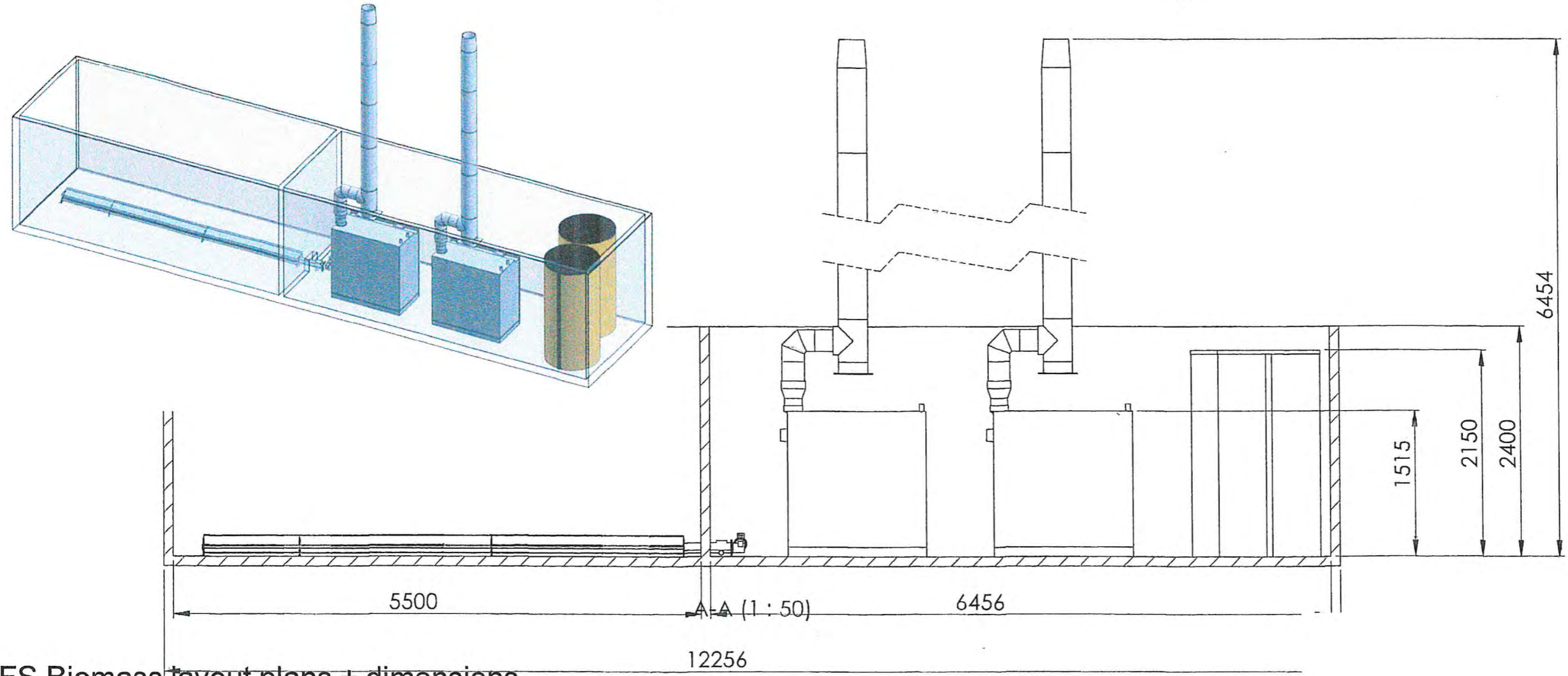
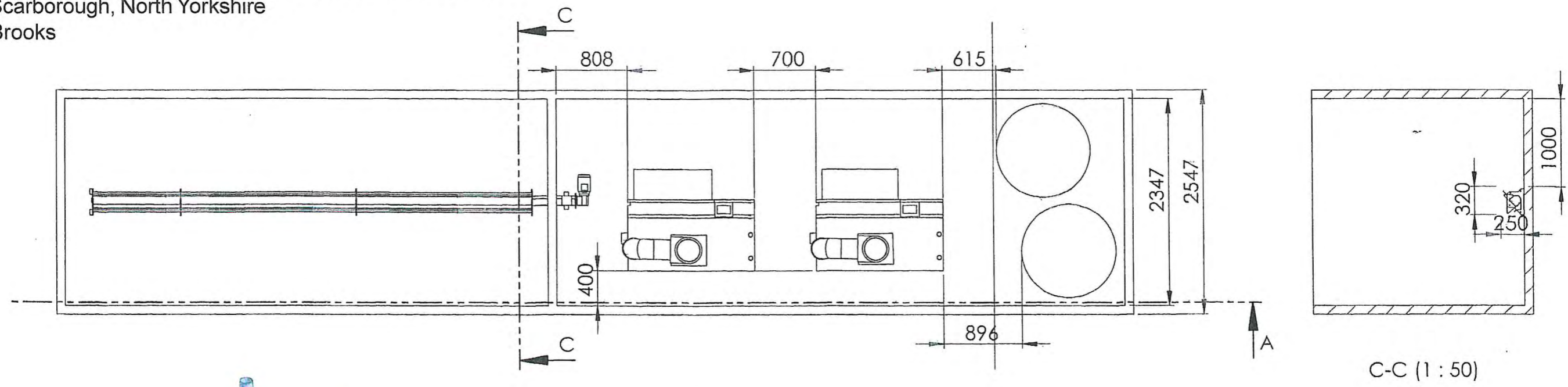
scale 1:100 (at A3)
 date Feb '19
 ref. 1577/09

NYMNPA

19/02/2019

Materials:
 stained vertical boarding to external walls and doors
 felted flat roof.

Proposed New Heating Installation at the Hackness Grange Hotel
 Hackness, Scarborough, North Yorkshire
 For: Mr. R. Brooks



AFS Biomass layout plans + dimensions

scale 1:50 (at A3)
 date Feb '19
 ref. 1577/10

NYMNPA
 19/02/2019

Alan Campbell Chartered Architect
 Cliff Bridge Studio, 7 Cliff Bridge Terrace
 Scarborough, North Yorkshire, YO11 2HA