

Amendments/Additional Information

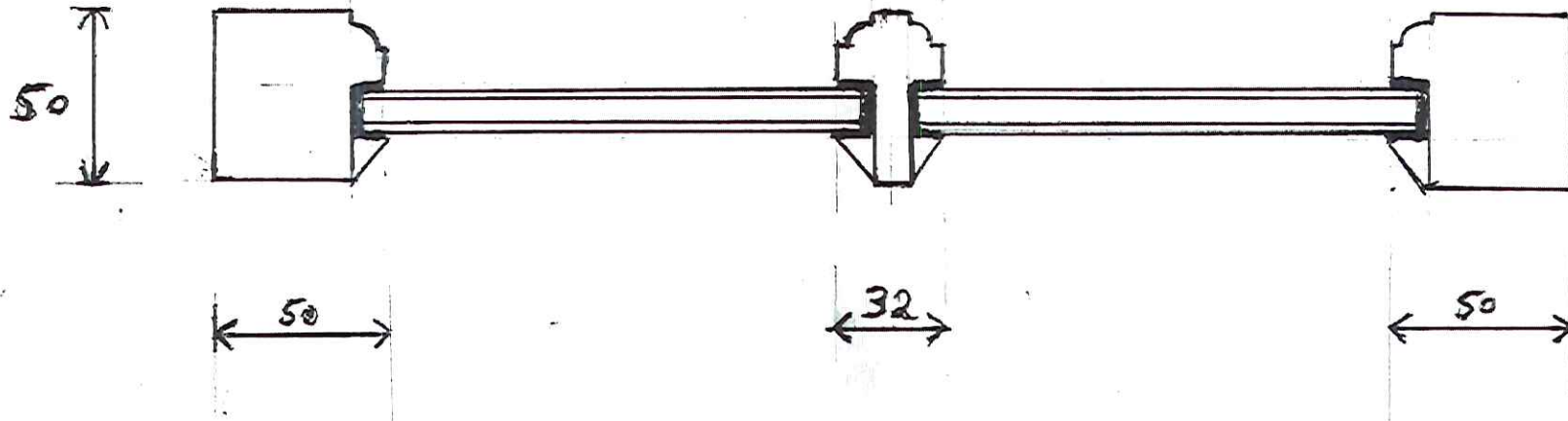
- Amended layout of buildings/outside areas
- Additional background information
- Amended design
- Revised access arrangements
- Change of description of proposed development
- Change in site boundaries
- Other (as specified below)

NYM/NIPA
06 FEB 2017

CROSS SECTION THROUGH SASH

AMENDED

Notes



4/10/4 DOUBLE GLAZED UNITS, ALL BARS MORTISED TOGETHER

EXTERNAL BEADS WILL GIVE PUTTY POINTED APPEARANCE

PAINTED HARDWOOD