

The Old Forge
Stainsacre
Whitby
YO22 4NT

NYM/2013/0386/FL

NYMNP
The Old Vicarage
Bondgate
Helmsley
York
YO62 5BP

27/10/2016.

Dear Sir or Madam,

In accompaniment to my Application for approval of details by condition, namely information and constructional details of the windows fitted to The Old Forge, I enclose the following documents.

1. Final order details from the window manufacturer in Bradford showing layout and style of windows fitted and cross sectional drawing of the timber construction of the windows and solid Oak Bi-Fold Doors.
2. Info on Red Grandis Timber

Sash Timber
Unit 1 Hanworth Court
Low Moor
Bradford
BD12 OSG

-1 NOV 2016

The constructional design and material used were chosen after substantial conversation and suggestions from NYNP. The timber used is an engineered sustainable hardwood called Red Grandis and the jointing methods are Hi-tech machined traditional double tenoning and adhesive

There was some confusion regarding trickle vents in the sashes, as they were not omitted mainly as they are noted on the drawings and we were not aware that they were not desired. In support they are the same colour as the windows and are not obvious in the otherwise beautiful windows.

The windows are guaranteed for ten years and paint coating for five years

Timber construction casement windows:
Traditional Flush casement design:
Traditional handles:
Colour not to be white.
Windows were fitted by manufacturer as part of guarantee:

Yours faithfully,

27/10/2016

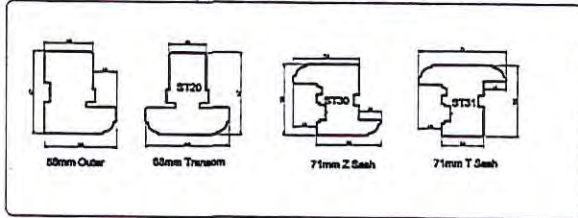
ohn Stainthorp



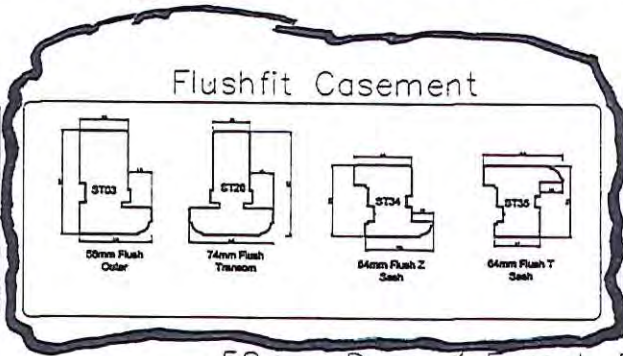
Sash Timber High Performance Timber Window Systems

FLUSH CASEMENTS
WINDOWS FITTED TO
THE OLD FORGE
STAINSACRE

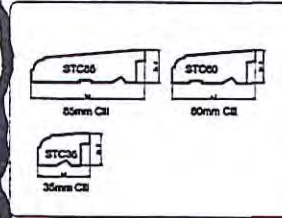
Stormproof Casement



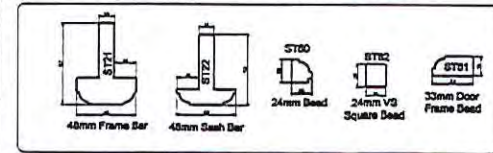
Flushfit Casement



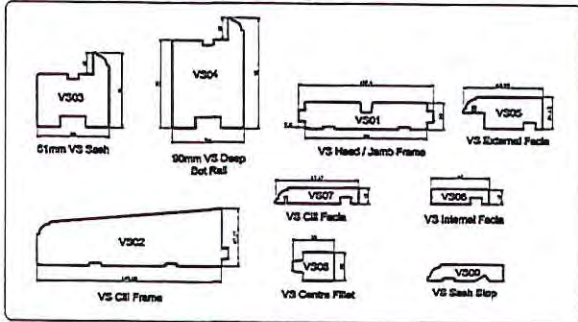
Plant On Cills



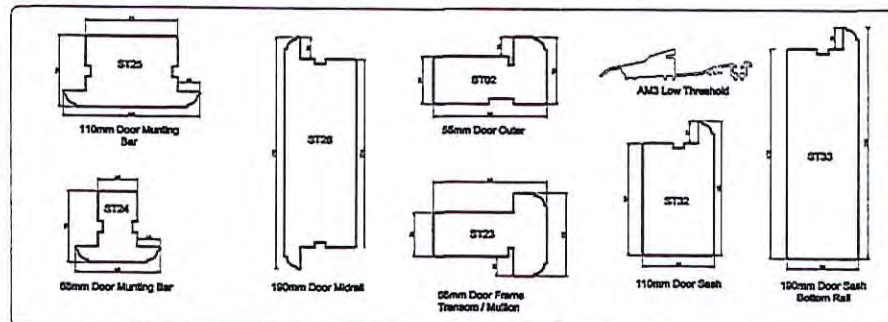
Glazing Bars/Beads



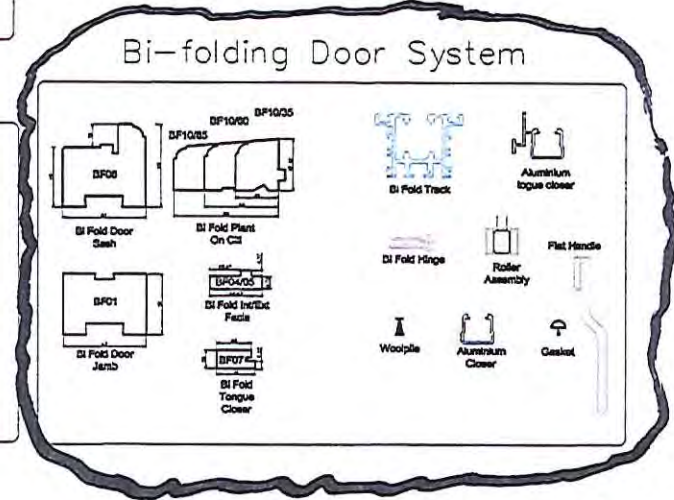
Tilt Sliding Sash



58mm Door / French Door



Bi-folding Door System



BI-FOLD (OAK) DOOR SYSTEM
FITTED TO THE OLD FORGE
STAINSACRE

1 NOV 2011



- [HOME](#)
- [ABOUT](#)
- [CONTACT US](#)
- [WORK FOR US!](#)

THE RED GRANDIS HARDWOOD IN THE CONSTRUCTION
OF THE OLD FOYLE FLUSH CASEMENT WINDOWS
IS ENGINEERED HARDWOOD.

Search this website ..

- [HARDWOOD ▾](#)
- [TROPICAL DECKING ▾](#)
- [PLYWOOD ▾](#)
- [MILLWORK](#)
- [NEWS](#)
- [CONNECTICUT YARD](#)

Species Spotlight: Red Grandis

SEPTEMBER 21, 2012 BY SHANNON ROGERS – 2 COMMENTS

In our constant search for new products that can replace or at least act as alternatives to currently popular species that have become unpredictable to source, expensive to obtain, or inconsistent in quality, we came across Red Grandis (*Eucalyptus grandis*). This discovery was more than a year ago now. In the months since we have been evaluating the product on all of the above factors to see if it would be a fit for our customers. The **verdict is still on Red Grandis** but I thought it was worthwhile to share our experience so far.



What is Red Grandis?



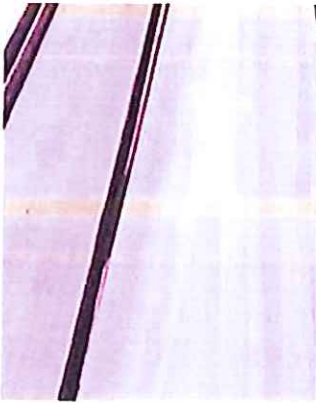
Red Grandis is a plantation species grown in Uruguay in an FSC certified forest using FSC certified harvesty practices. The **Cofusa** and **Ururfor** companies have been refining the species for more than 20 years. The result is a mature forest of over 66,000 acres in inland



Uruguay that boasts a multi generational forest that produces defect free, large diameter logs with a 20 year growing cycle. The efforts in the nursery to produce a hearty and productive tree have been well worth it and modern vegetative reproductive technology ensures effective clones of this superior species each generation. Effective forestry and silvicultural practices



take over from there to create highly a consistent and healthy population.



The board on the left has tanned in the sun for 3 hours, the right was exposed 1 hour ago

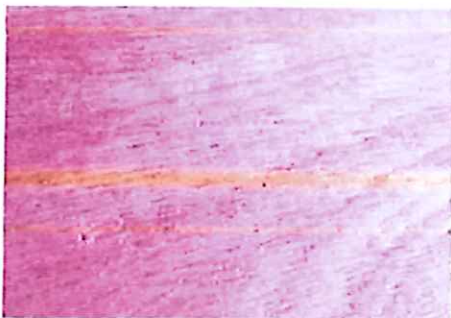
The species bears a close resemblance to Genuine Mahogany in hardness, density, and grain structure and is a cross between Mahogany and Cherry in color when freshly sawn. As it oxidizes and is finished, the color deepens to a rich red much closer to centuries old Mahogany. The sapwood is very subtle and is sometimes not easy to pick out from the heartwood. It is a little paler in color but over time the oxidization makes the whole board much more uniform. Like Mahogany however, the sapwood is quite narrow and it is easy to obtain 100% heartwood boards. Red Grandis is a high quality hardwood that is well suited for millwork, mouldings,



Like most plantation species, pin knots will be found but are not considered defects due to their stability.

furniture, cabinets, and even windows and doors as the heartwood is resistant to decay as long as it isn't in direct contact with the ground.

Why Red Grandis?




We are very happy with the species as a Mahogany, Spanish Cedar, or even a Cherry alternative because of the aesthetic similarities but also the physical workability, stability, and durability. It is a bit softer than Genuine Mahogany with a Janka rating of 720 psi and the density is almost exactly the same. In short it is easy to work and similar to an existing species on the market so easy to accept and convince customers it is a good choice. Most importantly though is the behind the scenes aspects. It is highly sustainable and FSC

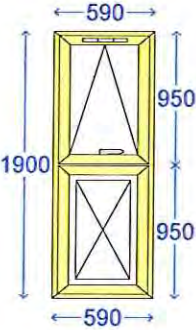
rated so you can count on getting it when you need it with the same high quality each time and you can qualify for LEEDS points by using it. Mahogany is a CITES listed product so availability is dependent on so many factors, all of which serve to drive up the price as well as make sourcing it difficult. None of this applies to Red Grandis.



Order Acknowledgement

| | | |
|---|--|---|
|  sash timber Sash Timber Ltd Unit 1 Hanworth Court Hanworth Road Low Moor Bradford BD12 0SG | Customer & Order Information | |
| | TRADE SUPPLY & FIT Tel : Fax : | Job No : 12833 Production Date : Delivery Date : Processed Date : 14-Jul-2014 Printed Date : 14-Jul-2014 Order Date : 14-Jul-2014 Job Spec Glazed / Supply Only (Delivered) |
| Job Reference : STAINTHORPE | | |

| 1 | Flushfit Casement O/A Sizes 590mm x 1900mm (Style 6) | Pricing | Qty | Gross | Disc. | Nett |
|---|---|------------------------|--------------|-------|-------|------|
| | W1 | Frame Price 590 x 1900 | 1 | | | |
| | | Glass | 1 | | | |
| | | | Total | | | |



- 1 NOV 2016

| Specification | Chk | Chk |
|--|-----|---|
| Assembled or Flatpack. Factory Assembled | [] | Colour Red Grandis Engineered [] |
| Sash colour Red Grandis Engineered | [] | Bead colour Red Grandis Engineered [] |
| Cill colour Red Grandis Engineered | [] | Painted Finish Three Coat Finish One Colour [] |
| Paint Colour Other Colour (see remarks) | [] | Glazed in/out Glazed out [] |
| Cill STC60 60mm Cill | [] | Add-on (Head) No add-on [] |
| Add-on (Cill) No add-on | [] | Add-on (Left jamb) No add-on [] |
| Add-on (Right jamb) No add-on | [] | Ventilator (Head) No ventilator [] |
| Ventilator (Sash) 4000m2 | [] | Bead type ST60 24mm Bead [] |
| Handle Chrome Espag Handle | [] | Casement locking Maco Rail [] |
| Friction stay Standard | [] | Glass display group Float [] |
| Espag Type Maco Rail | [] | |

| Aperture Options | Chk | Chk |
|---|-----|-----|
| Ventilator (Sash) No ventilator (A4) | | |

| Glazing Details & Apertures | |
|---|------------------|
| 4-16-4 Clear Low E Soft Coat : Black warmedqe A1 - (402 x 786) | Araon Gas Fillec |
| 4-16-4 Clear Tough Low E Soft Coat : Black warmedqe A4 - (402 x 786) | Araon Gas Fillec |

| Flushfit Casement O/A Sizes 590mm x 1900mm (Style 6) | | Pricing | Qty | Gross | Disc. | Nett |
|---|----|------------------------|--------------|-------|-------|------|
| 2 | W2 | Frame Price 590 x 1900 | 1 | | | |
| | | Glass | 1 | | | |
| | | | Total | | | |

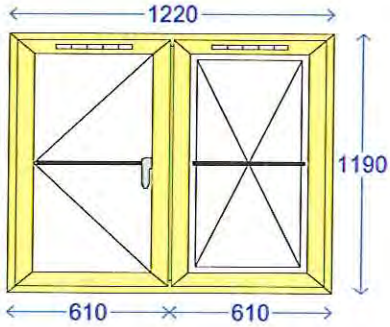
The diagram shows a vertical window frame with a total height of 1900mm and a width of 590mm. It is divided into two equal sashes, each 950mm high. The top sash has a triangular ventilator, and the bottom sash has a diamond-shaped ventilator.

| Specification | Chk | Chk |
|--|-----|---|
| Assembled or Flatpack, Factory Assembled | [] | Colour Red Grandis Engineered |
| Sash colour Red Grandis Engineered | [] | Bead colour Red Grandis Engineered |
| Cill colour Red Grandis Engineered | [] | Painted Finish Three Coat Finish One Colour |
| Paint Colour Other Colour (see remarks) | [] | Glazed in/out Glazed out |
| Cill STC60 60mm Cill | [] | Add-on (Head) No add-on |
| Add-on (Cill) No add-on | [] | Add-on (Left jamb) No add-on |
| Add-on (Right jamb) No add-on | [] | Ventilator (Head) No ventilator |
| Ventilator (Sash) 4000m2 | [] | Bead type ST60 24mm Bead |
| Handle Chrome Espag Handle | [] | Casement locking Maco Rail |
| Friction stay Standard | [] | Glass display group Float |
| Espag Type Maco Rail | [] | |

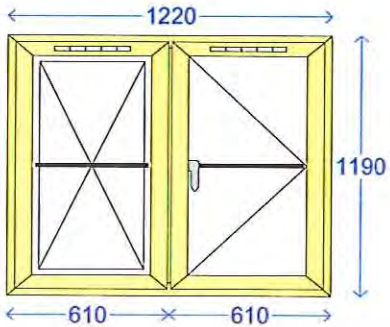
| Aperture Options | Chk | Chk |
|---|-----|-----|
| Ventilator (Sash) No ventilator (A4) | | |

| Glazing Details & Appertures | |
|---|------------------|
| 4-16-4 Clear Low E Soft Coat : Black warmedae A1 - (402 x 786) | Araon Gas Fillec |
| 4-16-4 Clear Tough Low E Soft Coat : Black warmedae A4 - (402 x 786) | Araon Gas Fillec |

- 1 NOV 2016

| 3 | | Flushfit Casement O/A Sizes 1220mm x 1190mm (Style 24) W3 | Pricing | Qty | Gross | Disc. | Nett |
|---|----------------------------|---|--------------------------|------------------------------|-------|-------|------|
| | | | Frame Price 1220 x 1190 | 1 | | | |
| | | | Glass | 1 | | | |
| | | | | Total | | | |
|  | | | | | | | |
| Specification | | Chk | | Chk | | | |
| Assembled or Flatpack. Factory Assembled | | [] | Colour | Red Grandis Engineered | [] | | |
| Sash colour | Red Grandis Engineered | [] | Bead colour | Red Grandis Engineered | [] | | |
| Cill colour | Red Grandis Engineered | [] | Painted Finish | Three Coat Finish One Colour | [] | | |
| Paint Colour | Other Colour (see remarks) | [] | Glazed in/out | Glazed out | [] | | |
| Cill | STC60 60mm Cill | [] | Add-on (Head) | No add-on | [] | | |
| Add-on (Cill) | No add-on | [] | Add-on (Left jamb) | No add-on | [] | | |
| Add-on (Right jamb) | No add-on | [] | Ventilator (Head) | No ventilator | [] | | |
| Ventilator (Sash) | 4000m2 | [] | Bead type | ST60 24mm Bead | [] | | |
| Handle | Chrome Espag Handle | [] | Casement locking | Maco Rail | [] | | |
| Friction stay | Standard | [] | Glass display group | Float | [] | | |
| Espag Type | Maco Rail | [] | | | | | |
| Glazing Details & Apertures | | | | | | | |
| 4-16-4 Clear Low E Soft Coat : Black warmedae Auth Single BarH (T) Arqon Gas Fillec | | | | | | | |
| A1 - (446 x 1002) F1 - (446 x 1002) | | | | | | | |

- 1 NOV 2016

| 4 | | Flushfit Casement O/A Sizes 1220mm x 1190mm (Style 25) W4 | Pricing | Qty | Gross | Disc. | Nett |
|---|----------------------------|---|--------------------------|------------------------------|-------|-------|------|
| | | | Frame Price 1220 x 1190 | 1 | | | |
| | | | Glass | 1 | | | |
| | | | | Total | | | |
|  | | | | | | | |
| Specification | | Chk | | Chk | | | |
| Assembled or Flatpack. Factory Assembled | | [] | Colour | Red Grandis Engineered | [] | | |
| Sash colour | Red Grandis Engineered | [] | Bead colour | Red Grandis Engineered | [] | | |
| Cill colour | Red Grandis Engineered | [] | Painted Finish | Three Coat Finish One Colour | [] | | |
| Paint Colour | Other Colour (see remarks) | [] | Glazed in/out | Glazed out | [] | | |
| Cill | STC60 60mm Cill | [] | Add-on (Head) | No add-on | [] | | |
| Add-on (Cill) | No add-on | [] | Add-on (Left jamb) | No add-on | [] | | |
| Add-on (Right jamb) | No add-on | [] | Ventilator (Head) | No ventilator | [] | | |
| Ventilator (Sash) | 4000m2 | [] | Bead type | ST60 24mm Bead | [] | | |
| Handle | Chrome Espag Handle | [] | Casement locking | Maco Rail | [] | | |
| Friction stay | Standard | [] | Glass display group | Float | [] | | |
| Espag Type | Maco Rail | [] | | | | | |
| Glazing Details & Apertures | | | | | | | |
| 4-16-4 Clear Low E Soft Coat : Black warmedae Auth Single BarH (T) Arqon Gas Fillec | | | | | | | |
| A1 - (446 x 1002) H1 - (446 x 1002) | | | | | | | |

| 5 | Flushfit Casement O/A Sizes 1795mm x 1200mm (Style 54) | Pricing | Qty | Gross | Disc. | Nett |
|---|---|---------|----------------------------------|--------|-------|------|
| | | W5 | Frame Price 1795 x 1200 Glass | 1 1 | | |
| | | | Total | | | |

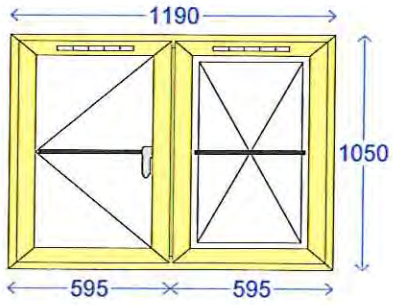
| Specification | Chk | Chk | |
|--|--------------------------|---|--------------------------|
| Assembled or Flatpack. Factory Assembled | <input type="checkbox"/> | Colour Red Grandis Engineered | <input type="checkbox"/> |
| Sash colour Red Grandis Engineered | <input type="checkbox"/> | Bead colour Red Grandis Engineered | <input type="checkbox"/> |
| Cill colour Red Grandis Engineered | <input type="checkbox"/> | Painted Finish Three Coat Finish One Colour | <input type="checkbox"/> |
| Paint Colour Other Colour (see remarks) | <input type="checkbox"/> | Glazed in/out Glazed out | <input type="checkbox"/> |
| Cill STC60 60mm Cill | <input type="checkbox"/> | Add-on (Head) No add-on | <input type="checkbox"/> |
| Add-on (Cill) No add-on | <input type="checkbox"/> | Add-on (Left jamb) No add-on | <input type="checkbox"/> |
| Add-on (Right jamb) No add-on | <input type="checkbox"/> | Ventilator (Head) No ventilator | <input type="checkbox"/> |
| Ventilator (Sash) 4000m2 | <input type="checkbox"/> | Bead type ST60 24mm Bead | <input type="checkbox"/> |
| Handle Chrome Espag Handle | <input type="checkbox"/> | Casement locking Maco Rail | <input type="checkbox"/> |
| Friction stay Standard | <input type="checkbox"/> | Glass display group Float | <input type="checkbox"/> |
| Espag Type Maco Rail | <input type="checkbox"/> | | |

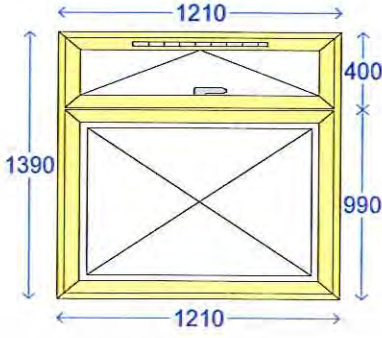
| Glazing Details & Apertures | | |
|---|----------------------|-------------------|
| 4-16-4 Clear Low E Soft Coat : Black warmedae | Auth Sinale BarH (T) | Araon Gas Fillec |
| A1 - (442 x 1012) | D1 - (443 x 1012) | H1 - (442 x 1012) |

| 6 | Flushfit Casement O/A Sizes 1215mm x 1200mm (Style 25) | Pricing | Qty | Gross | Disc. | Nett |
|---|---|---------|----------------------------------|--------|-------|------|
| | | W6 | Frame Price 1215 x 1200 Glass | 1 1 | | |
| | | | Total | | | |

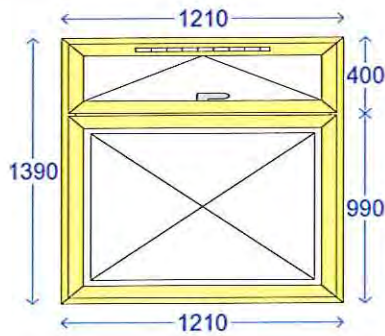
| Specification | Chk | Chk | |
|--|--------------------------|---|--------------------------|
| Assembled or Flatpack. Factory Assembled | <input type="checkbox"/> | Colour Red Grandis Engineered | <input type="checkbox"/> |
| Sash colour Red Grandis Engineered | <input type="checkbox"/> | Bead colour Red Grandis Engineered | <input type="checkbox"/> |
| Cill colour Red Grandis Engineered | <input type="checkbox"/> | Painted Finish Three Coat Finish One Colour | <input type="checkbox"/> |
| Paint Colour Other Colour (see remarks) | <input type="checkbox"/> | Glazed in/out Glazed out | <input type="checkbox"/> |
| Cill STC60 60mm Cill | <input type="checkbox"/> | Add-on (Head) No add-on | <input type="checkbox"/> |
| Add-on (Cill) No add-on | <input type="checkbox"/> | Add-on (Left jamb) No add-on | <input type="checkbox"/> |
| Add-on (Right jamb) No add-on | <input type="checkbox"/> | Ventilator (Head) No ventilator | <input type="checkbox"/> |
| Ventilator (Sash) 4000m2 | <input type="checkbox"/> | Bead type ST60 24mm Bead | <input type="checkbox"/> |
| Handle Chrome Espag Handle | <input type="checkbox"/> | Casement locking Maco Rail | <input type="checkbox"/> |
| Friction stay Standard | <input type="checkbox"/> | Espag Type Maco Rail | <input type="checkbox"/> |
| Glass display group Float | <input type="checkbox"/> | | |

| Glazing Details & Apertures | | |
|---|----------------------|------------------|
| 4-16-4 Clear Low E Soft Coat : Black warmedae | Auth Sinale BarH (T) | Araon Gas Fillec |
| A1 - (443 x 1012) | H1 - (444 x 1012) | |

| 7 | | Flushfit Casement O/A Sizes 1190mm x 1050mm (Style 24) W7 | Pricing | Qty | Gross | Disc. | Nett |
|---|----------------------------|---|--------------------------|------------------------------|-------|-------|------|
| | | | Frame Price 1190 x 1050 | 1 | | | |
| | | | Glass | 1 | | | |
| | | | | Total | | | |
|  | | | | | | | |
| Specification | | Chk | | Chk | | | |
| Assembled or Flatpack. | Factory Assembled | [] | Colour | Red Grandis Engineered | [] | | |
| Sash colour | Red Grandis Engineered | [] | Bead colour | Red Grandis Engineered | [] | | |
| Cill colour | Red Grandis Engineered | [] | Painted Finish | Three Coat Finish One Colour | [] | | |
| Paint Colour | Other Colour (see remarks) | [] | Glazed in/out | Glazed out | [] | | |
| Cill | STC60 60mm Cill | [] | Add-on (Head) | No add-on | [] | | |
| Add-on (Cill) | No add-on | [] | Add-on (Left jamb) | No add-on | [] | | |
| Add-on (Right jamb) | No add-on | [] | Ventilator (Head) | No ventilator | [] | | |
| Ventilator (Sash) | 4000m2 | [] | Bead type | ST60 24mm Bead | [] | | |
| Handle | Chrome Espag Handle | [] | Casement locking | Maco Rail | [] | | |
| Friction stay | Standard | [] | Glass display group | Float | [] | | |
| Espag Type | Maco Rail | [] | | | [] | | |
| Glazing Details & Apertures | | | | | | | |
| 4-16-4 Clear Low E Soft Coat : Black warmedqe Auth Single BarH (T) Arcon Gas Fillec | | | | | | | |
| A1 - (431 x 862) F1 - (431 x 862) | | | | | | | |

| 8 | | Flushfit Casement O/A Sizes 1210mm x 1390mm (Style 6) W8 | Pricing | Qty | Gross | Disc. | Nett |
|---|----------------------------|--|--------------------------|------------------------------|-------|-------|------|
| | | | Frame Price 1210 x 1390 | 1 | | | |
| | | | Glass | 1 | | | |
| | | | | Total | | | |
|  | | | | | | | |
| Specification | | Chk | | Chk | | | |
| Assembled or Flatpack. | Factory Assembled | [] | Colour | Red Grandis Engineered | [] | | |
| Sash colour | Red Grandis Engineered | [] | Bead colour | Red Grandis Engineered | [] | | |
| Cill colour | Red Grandis Engineered | [] | Painted Finish | Three Coat Finish One Colour | [] | | |
| Paint Colour | Other Colour (see remarks) | [] | Glazed in/out | Glazed out | [] | | |
| Cill | STC60 60mm Cill | [] | Add-on (Head) | No add-on | [] | | |
| Add-on (Cill) | No add-on | [] | Add-on (Left jamb) | No add-on | [] | | |
| Add-on (Right jamb) | No add-on | [] | Ventilator (Head) | No ventilator | [] | | |
| Ventilator (Sash) | 4000m2 | [] | Bead type | ST60 24mm Bead | [] | | |
| Handle | Chrome Espag Handle | [] | Casement locking | Maco Rail | [] | | |
| Friction stay | Standard | [] | Glass display group | Float | [] | | |
| Espag Type | Maco Rail | [] | | | [] | | |
| Aperture Options | | Chk | | Chk | | | |
| Ventilator (Sash) No ventilator (A4) | | | | | | | |
| Glazing Details & Apertures | | | | | | | |
| 4-16-4 Clear Low E Soft Coat : Black warmedqe Arcon Gas Fillec | | | | | | | |
| A1 - (1022 x 236) A4 - (1022 x 826) | | | | | | | |

| 9 | Flushfit Casement O/A Sizes 1210mm x 1390mm (Style 6) W9 | Pricing | Qty | Gross | Disc. | Nett |
|---|--|-------------------------|--------------|-------|-------|------|
| | | Frame Price 1210 x 1390 | 1 | | | |
| | | Glass | 1 | | | |
| | | | Total | | | |



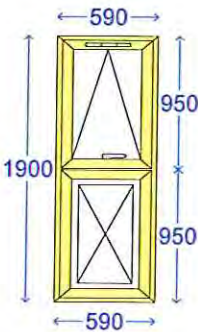
| Specification | Chk | Chk |
|--------------------------|------------------------------|--|
| Espag Type | Maco Rail | <input type="checkbox"/> Assembled or Flatpack, Factory Assembled <input type="checkbox"/> |
| Colour | Red Grandis Engineered | <input type="checkbox"/> Sash colour Red Grandis Engineered <input type="checkbox"/> |
| Bead colour | Red Grandis Engineered | <input type="checkbox"/> Cill colour Red Grandis Engineered <input type="checkbox"/> |
| Painted Finish | Three Coat Finish One Colour | <input type="checkbox"/> Paint Colour Other Colour (see remarks) <input type="checkbox"/> |
| Glazed in/out | Glazed out | <input type="checkbox"/> Cill STC60 60mm Cill <input type="checkbox"/> |
| Add-on (Head) | No add-on | <input type="checkbox"/> Add-on (Cill) No add-on <input type="checkbox"/> |
| Add-on (Left jamb) | No add-on | <input type="checkbox"/> Add-on (Right jamb) No add-on <input type="checkbox"/> |
| Ventilator (Head) | No ventilator | <input type="checkbox"/> Ventilator (Sash) 4000m2 <input type="checkbox"/> |
| Bead type | ST60 24mm Bead | <input type="checkbox"/> Handle Chrome Espag Handle <input type="checkbox"/> |
| Casement locking | Maco Rail | <input type="checkbox"/> Friction stay Standard <input type="checkbox"/> |
| Glass display group | Float | <input type="checkbox"/> |

| Aperture Options | Chk | Chk |
|------------------|-----|-----|
|------------------|-----|-----|

| | | |
|---|--|--|
| Ventilator (Sash) No ventilator (A4) | | |
|---|--|--|

| Glazing Details & Appertures |
|--|
| 4-16-4 Clear Low E Soft Coat : Black warmedqe Argon Gas Fillec |
| A1 - (1022 x 236) A4 - (1022 x 826) |

-1 NOV 2016

| 10 | Flushfit Casement O/A Sizes 590mm x 1900mm (Style 6) W10 | Pricing | Qty | Gross | Disc. | Nett |
|---|--|------------------------|--------------------------|------------------------------|-------|------|
| | | Frame Price 590 x 1900 | 1 | | | |
| | | Glass | 1 | | | |
| | | Total | | | | |
|  | | | | | | |
| - 1 NOV 2016 | | | | | | |
| Specification | | Chk | | | | |
| Assembled or Flatpack. | Factory Assembled | [] | Colour | Red Grandis Engineered | | [] |
| Sash colour | Red Grandis Engineered | [] | Bead colour | Red Grandis Engineered | | [] |
| Cill colour | Red Grandis Engineered | [] | Painted Finish | Three Coat Finish One Colour | | [] |
| Paint Colour | Other Colour (see remarks) | [] | Glazed in/out | Glazed out | | [] |
| Cill | STC60 60mm Cill | [] | Add-on (Head) | No add-on | | [] |
| Add-on (Cill) | No add-on | [] | Add-on (Left jamb) | No add-on | | [] |
| Add-on (Right jamb) | No add-on | [] | Ventilator (Head) | No ventilator | | [] |
| Ventilator (Sash) | 2000m2 | [] | Bead type | ST60 24mm Bead | | [] |
| Handle | Chrome Espag Handle | [] | Casement locking | Maco Rail | | [] |
| Friction stay | Standard | [] | Glass display group | Float | | [] |
| Espag Type | Maco Rail | [] | | | | |
| Aperture Options | | Chk | | | | |
| Ventilator (Sash) | No ventilator | [] | | | | |
| | (A4) | | | | | |
| Glazing Details & Apertures | | | | | | |
| 4-16-4 Clear Low E Soft Coat : Black warmedae | | Arqon Gas Fillec | | | | |
| A1 - (402 x 786) | | | | | | |
| 4-16-4 Clear Tough Low E Soft Coat : Black warmedae | | Arqon Gas Fillec | | | | |
| A4 - (402 x 786) | | | | | | |

| 11 Flushfit Casement O/A Sizes 590mm x 1900mm (Style 6) W11 | | Pricing | Qty | Gross | Disc. | Nett |
|---|----------------------------|--------------------------|--------------------------|------------------------------|--------------------------|------|
| | | Frame Price 590 x 1900 | 1 | | | |
| | | Glass | 1 | | | |
| | | | Total | | | |
| | | | | | | |
| Specification | | Chk | | | Chk | |
| Assembled or Flatpack | Factory Assembled | <input type="checkbox"/> | Colour | Red Grandis Engineered | <input type="checkbox"/> | |
| Sash colour | Red Grandis Engineered | <input type="checkbox"/> | Bead colour | Red Grandis Engineered | <input type="checkbox"/> | |
| Cill colour | Red Grandis Engineered | <input type="checkbox"/> | Painted Finish | Three Coat Finish One Colour | <input type="checkbox"/> | |
| Paint Colour | Other Colour (see remarks) | <input type="checkbox"/> | Glazed in/out | Glazed out | <input type="checkbox"/> | |
| Cill | STC60 60mm Cill | <input type="checkbox"/> | Add-on (Head) | No add-on | <input type="checkbox"/> | |
| Add-on (Cill) | No add-on | <input type="checkbox"/> | Add-on (Left jamb) | No add-on | <input type="checkbox"/> | |
| Add-on (Right jamb) | No add-on | <input type="checkbox"/> | Ventilator (Head) | No ventilator | <input type="checkbox"/> | |
| Ventilator (Sash) | 2000m2 | <input type="checkbox"/> | Bead type | ST60 24mm Bead | <input type="checkbox"/> | |
| Handle | Chrome Espag Handle | <input type="checkbox"/> | Casement locking | Maco Rail | <input type="checkbox"/> | |
| Friction stay | Standard | <input type="checkbox"/> | Glass display group | Float | <input type="checkbox"/> | |
| Espag Type | Maco Rail | <input type="checkbox"/> | | | | |
| Aperture Options | | Chk | | | Chk | |
| Ventilator (Sash) No ventilator | | | (A4) | | | |
| Glazing Details & Apertures | | | | | | |
| 4-16-4 Clear Low E Soft Coat : Black warmedae | | Arqon Gas Fillec | | | | |
| A1 - (402 x 786) | | | | | | |
| 4-16-4 Clear Tough Low E Soft Coat : Black warmedae | | Arqon Gas Fillec | | | | |
| A4 - (402 x 786) | | | | | | |

- 1 NOV 2018

| | | | | | | |
|-----------|--|-------------------------|------------|--------------|--------------|-------------|
| 12 | Flushfit Casement O/A Sizes 1990mm x 1210mm (Style 54) | Pricing | Qty | Gross | Disc. | Nett |
| | W12 | Frame Price 1990 x 1210 | 1 | | | |
| | | Glass | 1 | | | |
| | | Total | | | | |

| Specification | Chk | Chk |
|--|-----|---|
| Assembled or Flatpack. Factory Assembled | [] | Colour Red Grandis Engineered [] |
| Sash colour Red Grandis Engineered | [] | Bead colour Red Grandis Engineered [] |
| Cill colour Red Grandis Engineered | [] | Painted Finish Three Coat Finish One Colour [] |
| Paint Colour Other Colour (see remarks) | [] | Glazed in/out Glazed out [] |
| Cill STC60 60mm Cill | [] | Add-on (Head) No add-on [] |
| Add-on (Cill) No add-on | [] | Add-on (Left jamb) No add-on [] |
| Add-on (Right jamb) No add-on | [] | Ventilator (Head) No ventilator [] |
| Ventilator (Sash) 4000m2 | [] | Bead type ST60 24mm Bead [] |
| Handle Chrome Espag Handle | [] | Casement locking Maco Rail [] |
| Friction stay Standard | [] | Glass display group Float [] |
| Espag Type Maco Rail | [] | |

| Glazing Details & Apertures | | |
|---|----------------------|-------------------|
| 4-16-4 Clear Low E Soft Coat : Black warmedae | Auth Single BarH (T) | Araon Gas Fillec |
| A1 - (507 x 1022) | D1 - (508 x 1022) | H1 - (507 x 1022) |

| | | | | | | |
|-----------|--|-------------------------|------------|--------------|--------------|-------------|
| 13 | Flushfit Casement O/A Sizes 1215mm x 1050mm (Style 25) | Pricing | Qty | Gross | Disc. | Nett |
| | W13 | Frame Price 1215 x 1050 | 1 | | | |
| | | Glass | 1 | | | |
| | | Total | | | | |

| Specification | Chk | Chk |
|--|-----|---|
| Assembled or Flatpack. Factory Assembled | [] | Colour Red Grandis Engineered [] |
| Sash colour Red Grandis Engineered | [] | Bead colour Red Grandis Engineered [] |
| Cill colour Red Grandis Engineered | [] | Painted Finish Three Coat Finish One Colour [] |
| Paint Colour Other Colour (see remarks) | [] | Glazed in/out Glazed out [] |
| Cill STC60 60mm Cill | [] | Add-on (Head) No add-on [] |
| Add-on (Cill) No add-on | [] | Add-on (Left jamb) No add-on [] |
| Add-on (Right jamb) No add-on | [] | Ventilator (Head) No ventilator [] |
| Ventilator (Sash) 4000m2 | [] | Bead type ST60 24mm Bead [] |
| Handle Chrome Espag Handle | [] | Casement locking Maco Rail [] |
| Friction stay Egress Easy Clean | [] | Glass display group Float [] |
| Espag Type Maco Rail | [] | |

| Aperture Options | | |
|------------------------|------|--|
| Friction stay Standard | (A1) | |

| Glazing Details & Apertures | | |
|---|----------------------|------------------|
| 4-16-4 Clear Low E Soft Coat : Black warmedae | Auth Single BarH (T) | Araon Gas Fillec |
| A1 - (443 x 862) | H1 - (444 x 862) | |

| 14 | Flushfit Casement O/A Sizes 1100mm x 915mm (Style 25) W14 | Pricing | Qty | Gross | Disc. | Nett |
|----|---|------------------------|--------------|-------|-------|------|
| | | Frame Price 1100 x 915 | 1 | | | |
| | | Glass | 1 | | | |
| | | | Total | | | |

| Specification | Chk | | Chk |
|--|-----|--------------------------|----------------------------------|
| Assembled or Flatpack. Factory Assembled | [] | Colour | Red Grandis Engineered [] |
| Sash colour Red Grandis Engineered | [] | Bead colour | Red Grandis Engineered [] |
| Cill colour Red Grandis Engineered | [] | Painted Finish | Three Coat Finish One Colour [] |
| Paint Colour Other Colour (see remarks) | [] | Glazed in/out | Glazed out [] |
| Cill STC60 60mm Cill | [] | Add-on (Head) | No add-on [] |
| Add-on (Cill) No add-on | [] | Add-on (Left jamb) | No add-on [] |
| Add-on (Right jamb) No add-on | [] | Ventilator (Head) | No ventilator [] |
| Ventilator (Sash) 4000m2 | [] | Bead type | ST60 24mm Bead [] |
| Handle Chrome Espag Handle | [] | Casement locking | Maco Rail [] |
| Friction stay Egress Easy Clean | [] | Glass display group | Float [] |
| Espag Type Maco Rail | [] | | |

| Aperture Options | Chk | Chk |
|-----------------------------|-----|-----|
| Friction stay Standard (A1) | | |

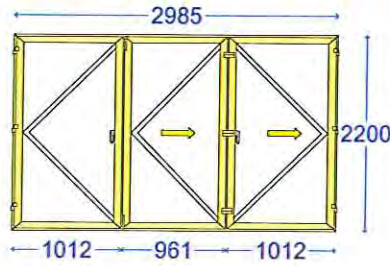
| Glazing Details & Apertures |
|---|
| 4-16-4 Clear Low E Soft Coat : Black warmedqe Auth Single BarH (T) Arqon Gas Fillec |
| A1 - (386 x 727) H1 - (386 x 727) |

| 15 | Timber Door O/A Sizes 900mm x 2130mm (Style 2) D1 | Pricing | Qty | Gross | Disc. | Nett |
|----|---|------------------------|--------------|-------|-------|------|
| | | Frame Price 900 x 2130 | 1 | | | |
| | | Glass | 1 | | | |
| | | | Total | | | |

| Specification | Chk | | Chk |
|---|-----|--------------------------|-------------------------------|
| Assembled or Flatpack. Factory Assembled | [] | Colour | Red Grandis Engineered [] |
| Sash colour Red Grandis Engineered | [] | Bead colour | Red Grandis Engineered [] |
| Addon colour Red Grandis Engineered | [] | Cill colour | Red Grandis Engineered [] |
| Painted Finish Three Coat Finish One Colour | [] | Paint Colour | None (Unfinished) [] |
| Glazed in/out Glazed out | [] | Open in/out | Open in [] |
| Threshold No threshold | [] | Cill | STC60 60mm Cill [] |
| Add-on (Head) No add-on | [] | Add-on (Cill) | ST04 30mm Platform [] |
| Add-on (Left jamb) No add-on | [] | Add-on (Right jamb) | No add-on [] |
| Ventilator (Head) No ventilator | [] | Ventilator (Sash) | No ventilator [] |
| Bead type ST60 24mm Bead | [] | Handle | Chrome lever/Lever [] |
| Door hinge Timber Silver Hinge | [] | Door lock | Cyclone Door Lock [] |
| Cylinder Nickel Cylinder 45/50 | [] | Glass display group | Safety [] |

| Glazing Details & Apertures |
|--|
| 4-16-4 Obscure Tough Low E Soft Coat : Black warmedqe Optifloat Opal Square Ledaded 6mm Lead Aaed Std Joints Arqon |
| A1 - (269 x 1850) F1 - (269 x 1850) |

| | | | | | | |
|----|--|-------------------------|------------|--------------|--------------|-------------|
| 16 | Timber Bi-Fold Door O/A Sizes 2985mm x 2200mm (322) | Pricing | Qty | Gross | Disc. | Nett |
| | | Frame Price 2985 x 2200 | 1 | | | |
| | | Total | | | | |

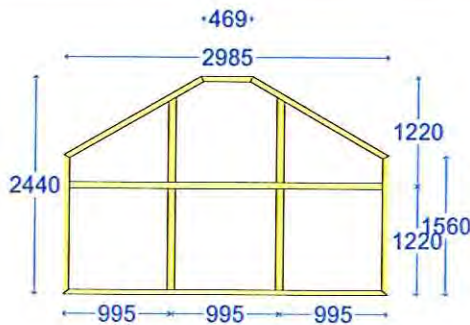


-1 NOV 2017

| Specification | Chk | Chk |
|--|--------------------------|--|
| Assembled or Flatpack. Factory Assembled | <input type="checkbox"/> | Colour Oak Engineered <input type="checkbox"/> |
| Sash colour Oak Engineered | <input type="checkbox"/> | Bead colour Oak Engineered <input type="checkbox"/> |
| Cill colour Oak Engineered | <input type="checkbox"/> | Painted Finish Three Coat Finish One Colour <input type="checkbox"/> |
| Paint Colour Other Colour (see remarks) | <input type="checkbox"/> | Glazed in/out Glazed out <input type="checkbox"/> |
| Open in/out Open in | <input type="checkbox"/> | Cill STC60 60mm Cill <input type="checkbox"/> |
| Bead type ST60 24mm Bead | <input type="checkbox"/> | Handle Silver Bi Fold Handle <input type="checkbox"/> |
| Glass display group Safety | <input type="checkbox"/> | |

| Glazing Details & Apertures | |
|---|------------------|
| 4-16-4 Clear Tough Low E Soft Coat : Black warmedae | Argon Gas Fillec |
| A1 - (852 x 1974) D1 - (851 x 1974) H1 - (852 x 1974) | |

| | | | | | | |
|----|--|-------------------------|------------|--------------|--------------|-------------|
| 17 | Flushfit Casement O/A Sizes 2985mm x 2440 / 1560mm (Style FF) | Pricing | Qty | Gross | Disc. | Nett |
| | | Frame Price 2985 x 2440 | 1 | | | |
| | | Total | | | | |



| Specification | Chk | Chk |
|--|--------------------------|--|
| Assembled or Flatpack. Factory Assembled | <input type="checkbox"/> | Colour Oak Engineered <input type="checkbox"/> |
| Bead colour Oak Engineered | <input type="checkbox"/> | Painted Finish Three Coat Finish One Colour <input type="checkbox"/> |
| Paint Colour Other Colour (see remarks) | <input type="checkbox"/> | Glazed in/out Glazed out <input type="checkbox"/> |
| Cill No cill | <input type="checkbox"/> | Add-on (Cill) No add-on <input type="checkbox"/> |
| Add-on (Left jamb) No add-on | <input type="checkbox"/> | Add-on (Right jamb) No add-on <input type="checkbox"/> |
| Bead type ST60 24mm Bead | <input type="checkbox"/> | Glass display group Safety <input type="checkbox"/> |
| Espag Type Maco Rail | <input type="checkbox"/> | |

| Glazing Details & Apertures | |
|---|------------------|
| 4-16-4 Clear Tough Low E Soft Coat : Black warmedae | Argon Gas Fillec |
| A1 - See Separate Sheet A7 - (931 x 1156) D1 - See Separate Sheet D7 - (955 x 1156) H1 - See Separate Sheet | |
| H7 - (931 x 1156) | |

Order Acknowledgement

Job No : 12833

| Extra Items | | | Gross | Disc. | Nett |
|-------------|-----|-----------------------------|-------|-------|------|
| 1 | off | FITTING (PREPARED OPENINGS) | | | |
| 11 | off | EGRESS EASY CLEAN HINGES | | | |

Ancillary & Extra order Accessories

| <u>Qty</u> | <u>Description</u> | <u>Qty</u> | <u>Description</u> |
|------------|--------------------|------------|----------------------|
| 2 | 2000m2 Slot Vent | [] 22 | 4000m2 slot Vent [] |

NOV 11 2016

I confirm the details of this order are correct as detailed in this document

Signed _____

Dated _____