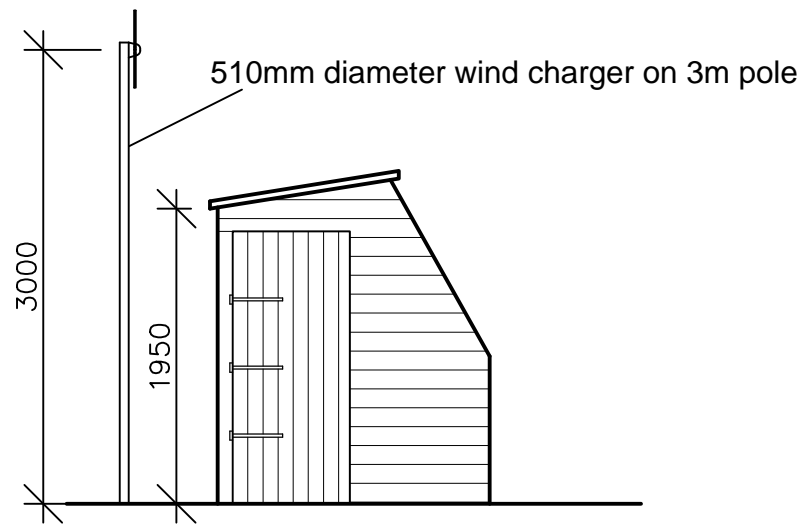
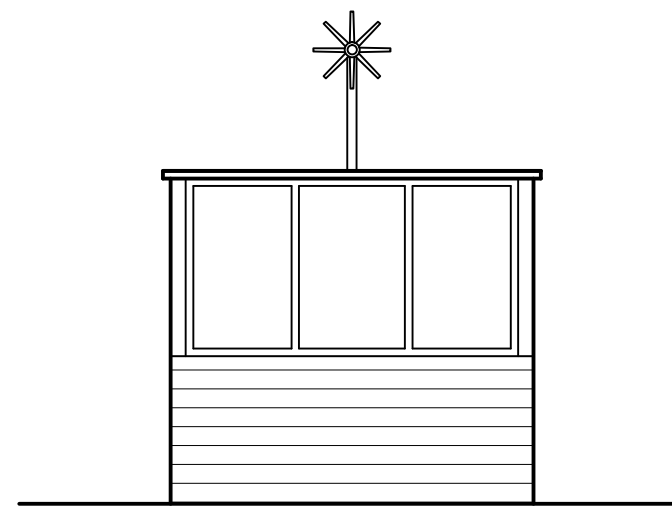


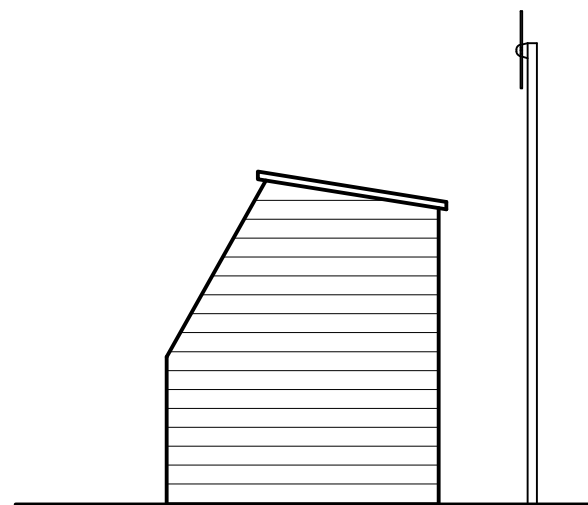
PLAN



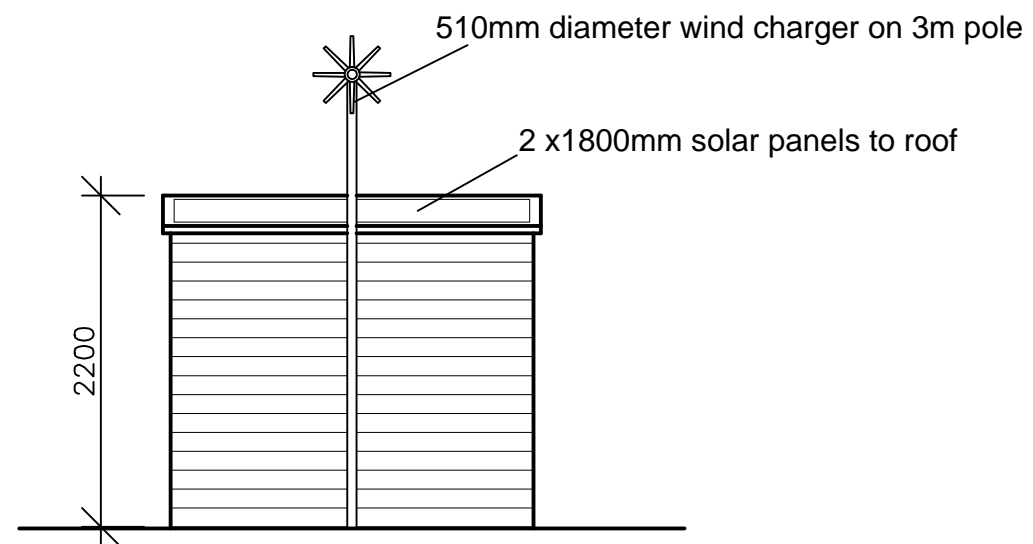
SIDE



SIDE



SIDE



SIDE

ORIGINAL PAPER SIZE A3

© Copyright to Acorus Ltd.

NOTES

1. IF IN DOUBT ASK
2. WRITTEN DIMENSIONS TO BE USED ONLY.
3. THIS DRAWING IS CONFIDENTIAL AND REMAINS THE EXCLUSIVE PROPERTY OF ACORUS. DO NOT COPY UNLESS AUTHORISED.

REVISIONS

No.	Date	Description	Ver.



Chartered Surveyors and Planning Consultants
 Pendeford House, Pendeford Business Park,
 Wobaston Road, Wolverhampton. WV9 5AP

JOB TITLE
**PROPOSED AIRSTRIP AT
 SOUTH MOOR FARM,
 LANGDALE END. YO13 0LW**

CLIENT
MR R. W. WALKER

DRAWN	JL	DATE	JULY 13
VERIFIED	BRB	SCALE	1:50

DRAWING TITLE
**PLAN AND ELEVATION OF THE
 SHED WITH WIND TURBINE AND
 SOLAR PANELS**

FILE REF.	DRAWING No. WALKER-04
-----------	---------------------------------