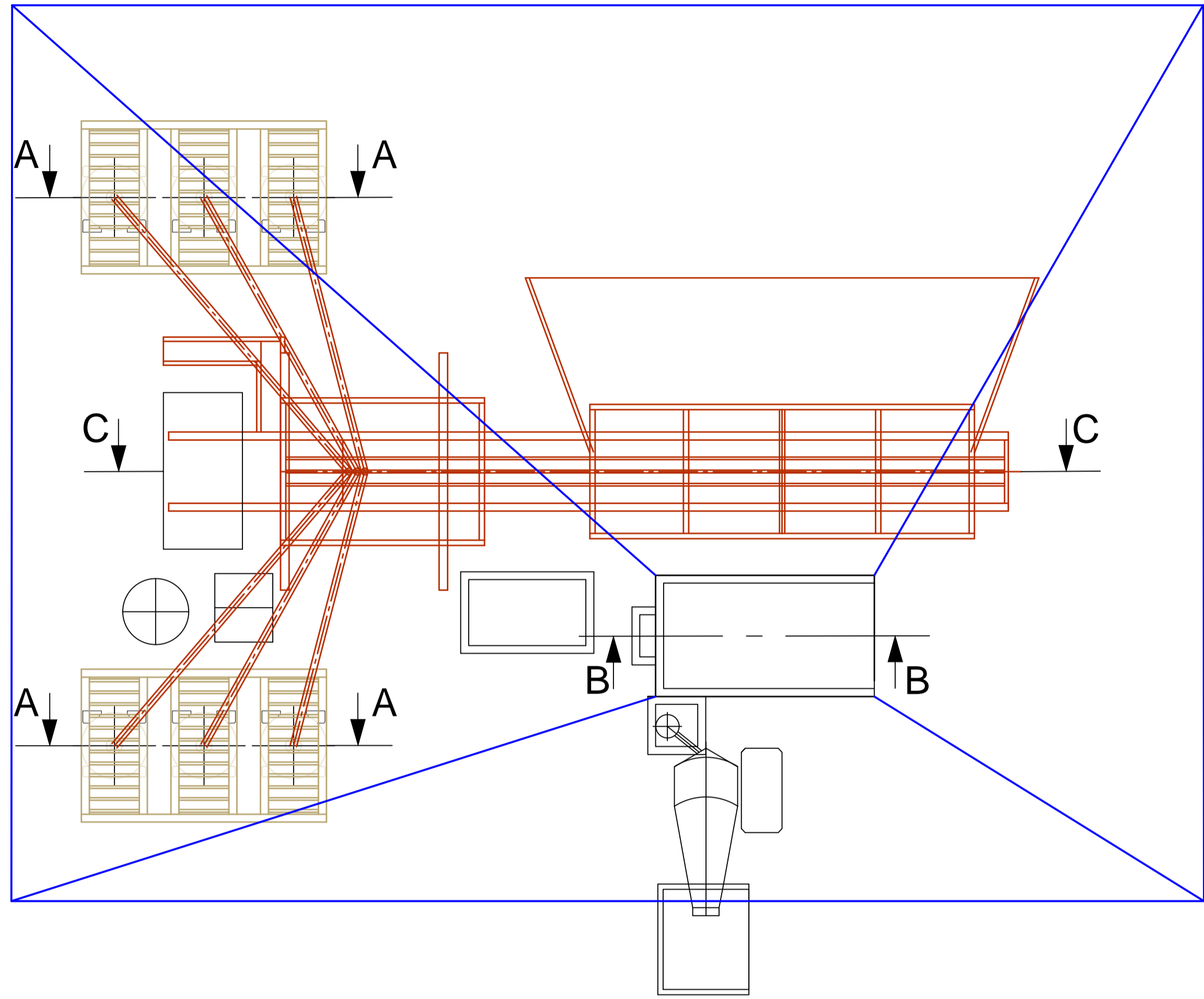
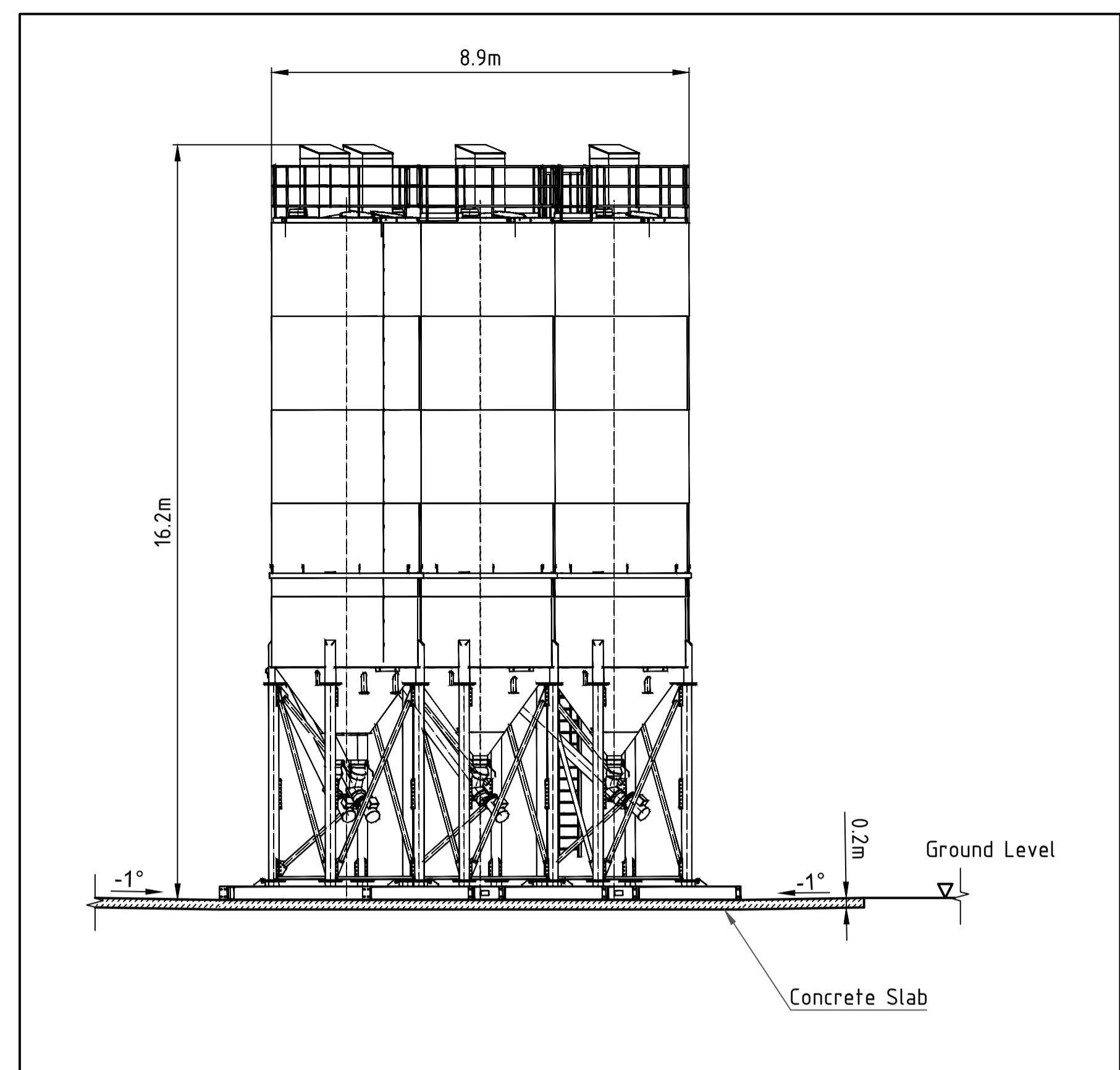


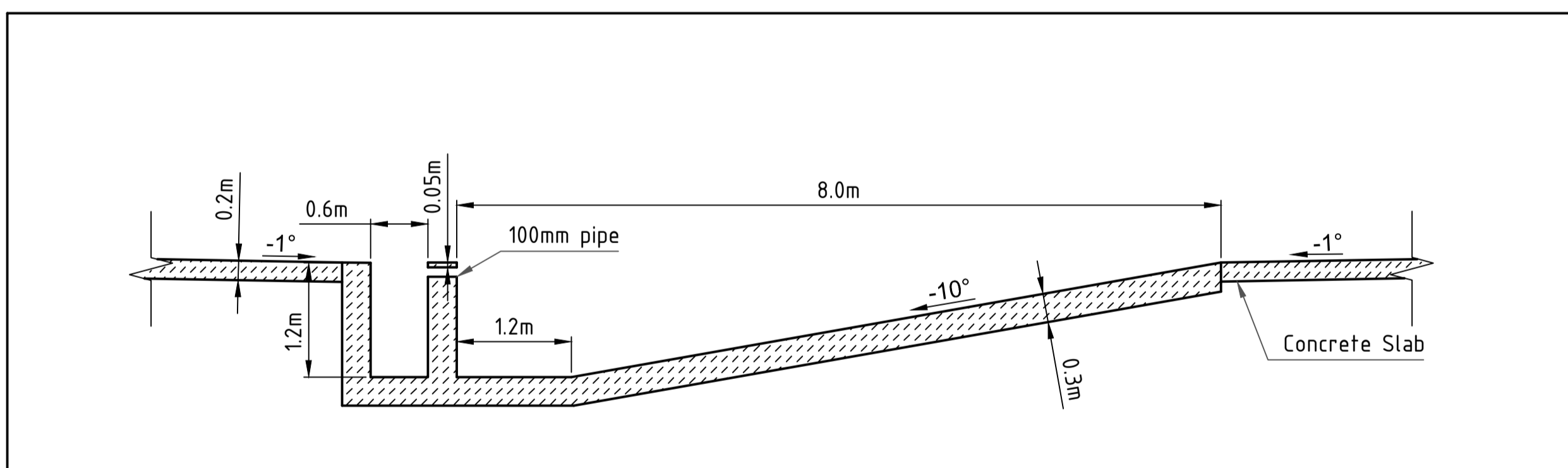
Overview
scale: 1:150



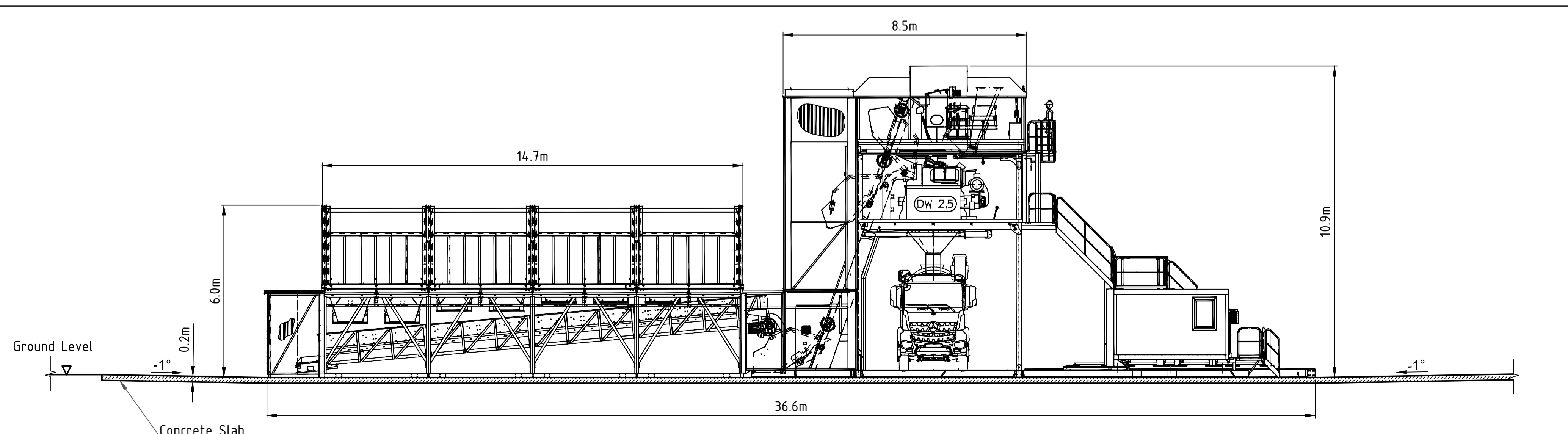
A-A
scale: 1:100



B-B
scale: 1:50



C-C
scale: 1:100



FOR INFORMATION ONLY
NOT TO BE USED FOR
CONSTRUCTION

5						
4						
3						
2						
1	Updated Planview	Berber	28.03.2017	Farrell	28.03.2017	Dr. Franz
Rev	Revision Description	Drawn by	Date	Checked by	Date	Approved by
<p>YORK POTASH PROJECT - MINE SHAFT EARLY CONTRACTOR INVOLVEMENT SITE PREPARATION AND PLANNING Batch plan view and sections</p>						
Drawn by:	Checked by:	Approved by:	YPL Approved by:	SCALE	SIZE	DWG NO.
Berber	Farrell	Dr. Franz		1:150	A1	40-AMC-WS-12-SW-DR-0005
Date: 28.02.2017	Date: 22.03.2017	Date: 23.03.2017	Date:			