

NYMMDA
 11 APR 2017

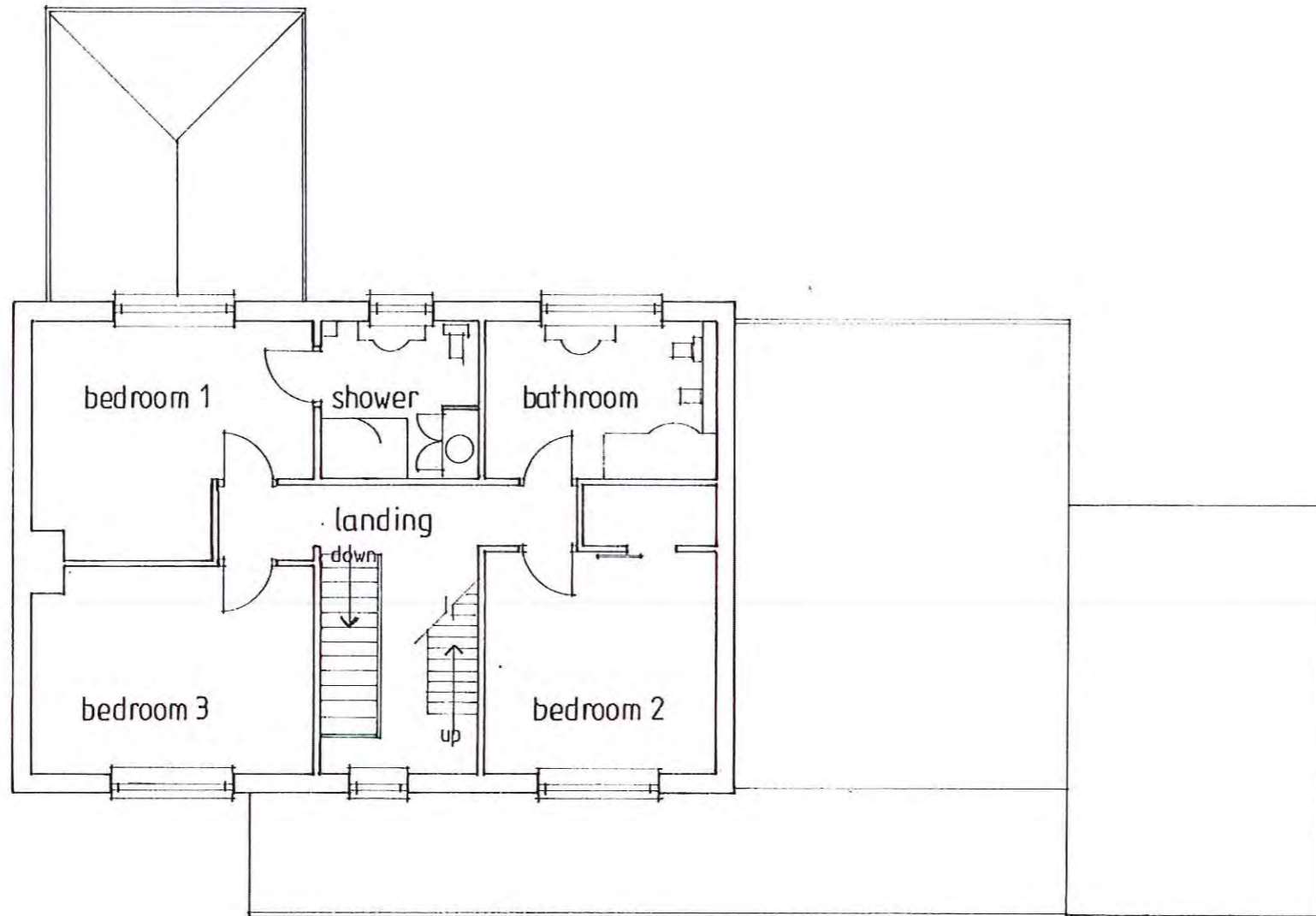
revision	description	date

The contractor shall check all dimensions on site and report discrepancies before work commences.
 No dimension shall be scaled off this drawing.
 ©Copyright of this drawing is retained by A.L. Turner

client	Mr & Mrs Beeforth
project	Proposed Extensions and Alterations at Moonwind, Main Road, Egton, YO21 1UT
title	Ground Floor Plan as Existing

A L Turner + Associates
 1 LORING ROAD, RAVENSCAR, SCARBOROUGH, YO13 0LY
www.yorkshirearchitectural.co.uk

date	scale	dwg size	drawn
03 17	1:100	A3	ALT
issue		drawing no	rev
final		2326:1	



NYMNDPA
11 APR 2017

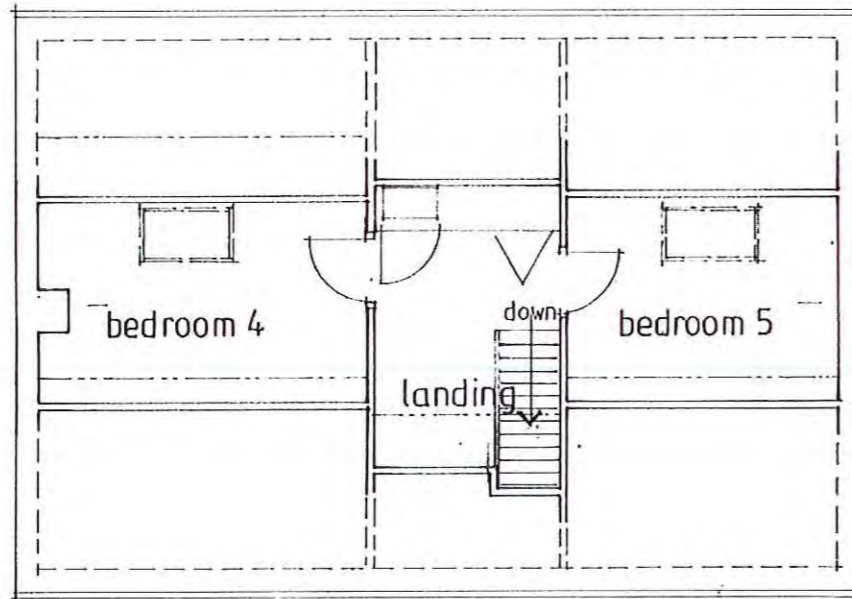
revision	description	date

The contractor shall check all dimensions on site and report discrepancies before work commences.
No dimension shall be scaled off this drawing
©Copyright of this drawing is retained by A.L. Turner

client	Mr & Mrs Beeforth
project	Proposed Extensions and Alterations at Moonwind, Main Road, Egton, YO21 1UT
title	First Floor Plan as Existing

A L Turner + Associates
1 LORING ROAD, RAVENSCAR, SCARBOROUGH, YO13 0LY
www.yorkshirearchitectural.co.uk

date	scale	dwg size	drawn
03 17	1:100	A3	ALT
issue	drawing no.	rev	
final	2326:2		



NYMIPA
 11 APR 2017

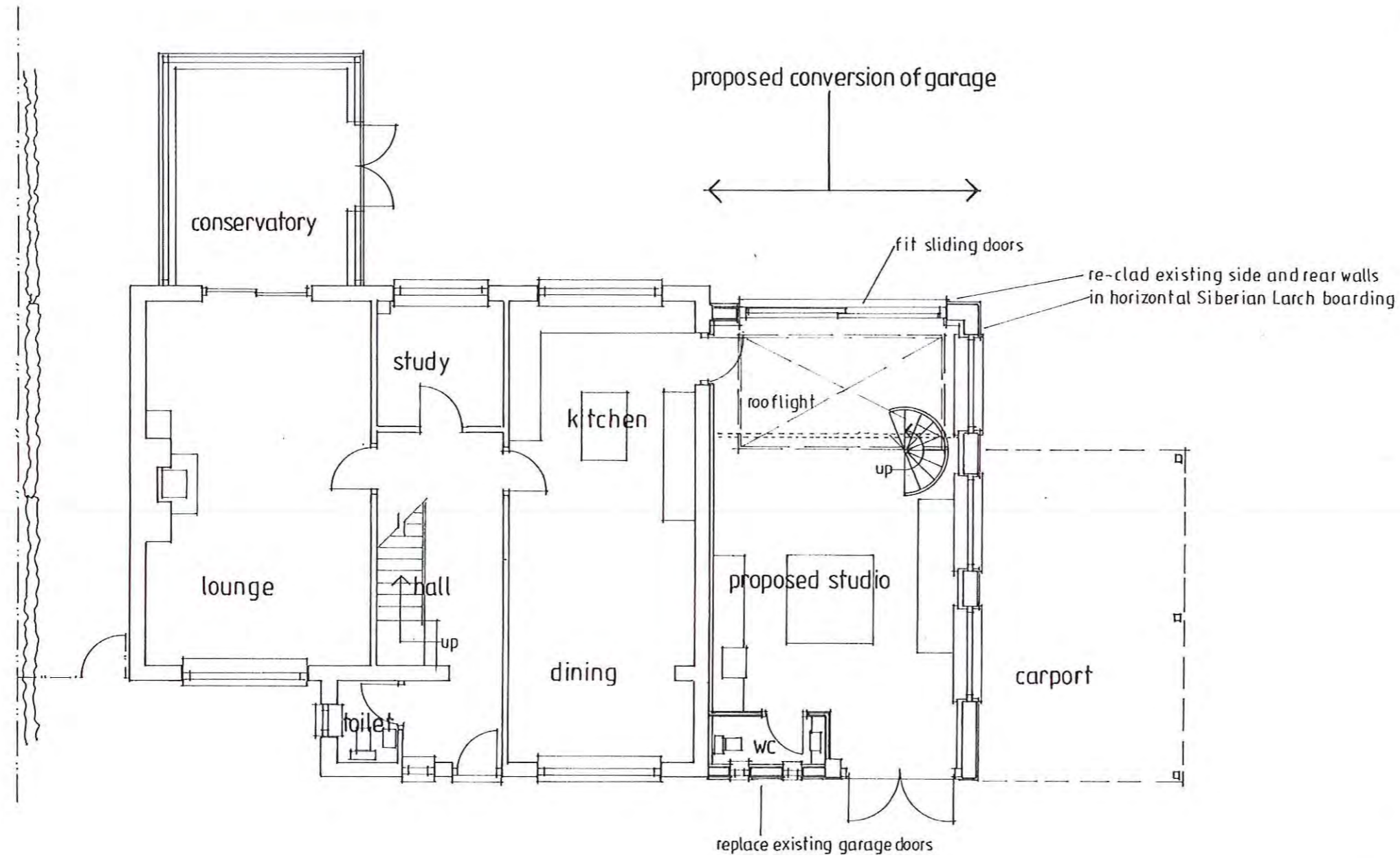
revision	description	date

The contractor shall check all dimensions on site and report discrepancies before work commences.
 No dimension shall be scaled off this drawing.
 ©Copyright of this drawing is retained by A.L. Turner

client	Mr & Mrs Beeforth
project	Proposed Extensions and Alterations at Moonwind, Main Road, Egton, YO21 1UT
title	Second Floor Plan as Existing

A L Turner + Associates
 1 LORING ROAD, RAVENSCAR, SCARBOROUGH, YO13 0LY
www.yorkshirearchitectural.co.uk

date	scale	dwg size	drawn
03.17	1:100	A3	ALT
issue	drawing no	rev	
final	2326:3		

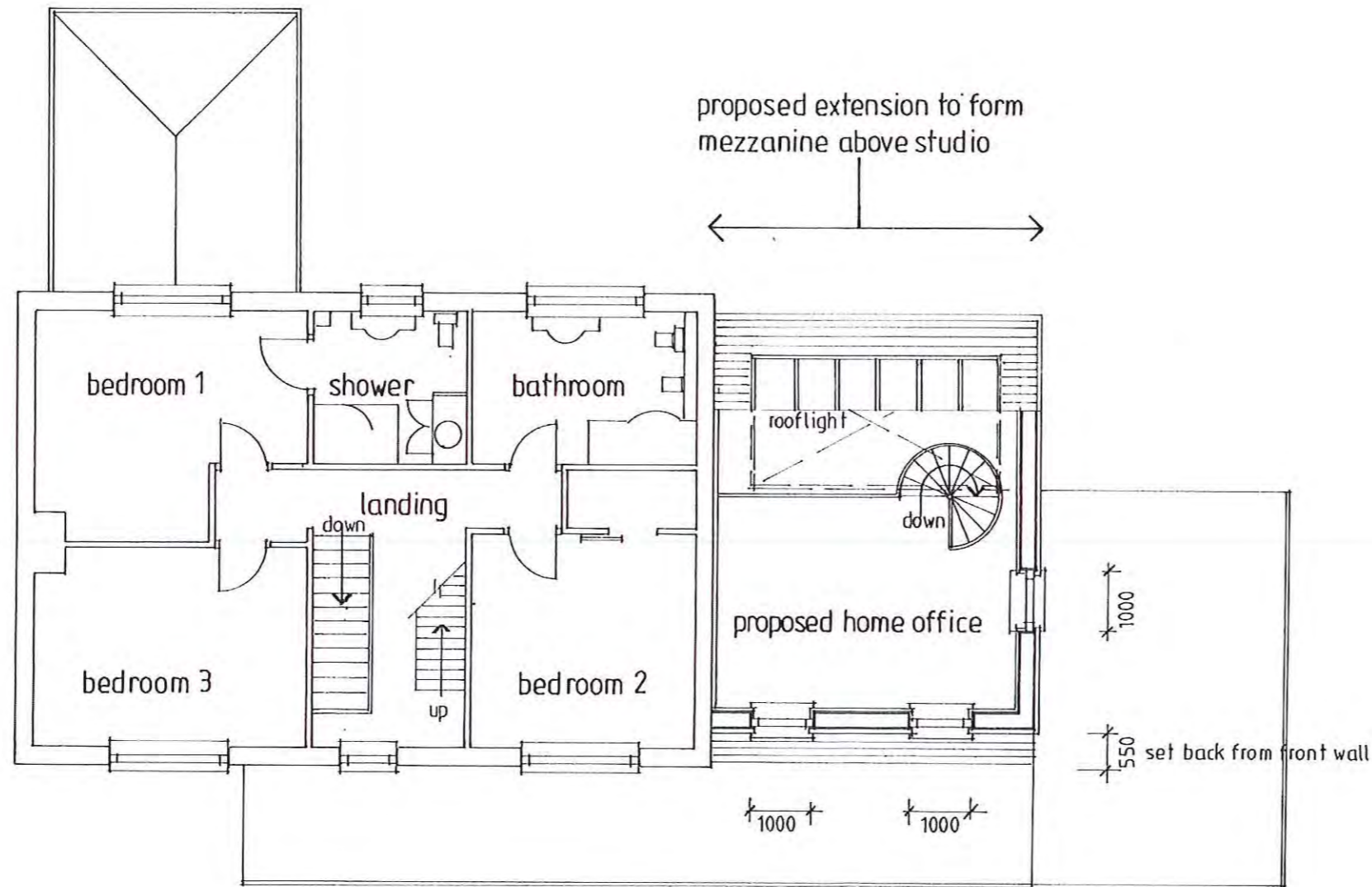


NYMNP4
 11 APR 2017

revision	description	date

The contractor shall check all dimensions on site and report discrepancies before work commences. No dimension shall be scaled off this drawing. ©Copyright of this drawing is retained by A.L. Turner

client	Mr & Mrs Beeforth		
project	Proposed Extensions and Alterations at Moonwind, Main Road, Egton, YO21 1UT		
title	Ground Floor Plan as Proposed		
A.L. Turner + Associates 1 LORING ROAD, RAVENSCAR, SCARBOROUGH, YO13 0LY www.yorkshirearchitectural.co.uk			
date	scale	dwg size	drawn
03 17	1:100	A3	ALT
issue	drawing no.	rev.	
planning	2326:5		

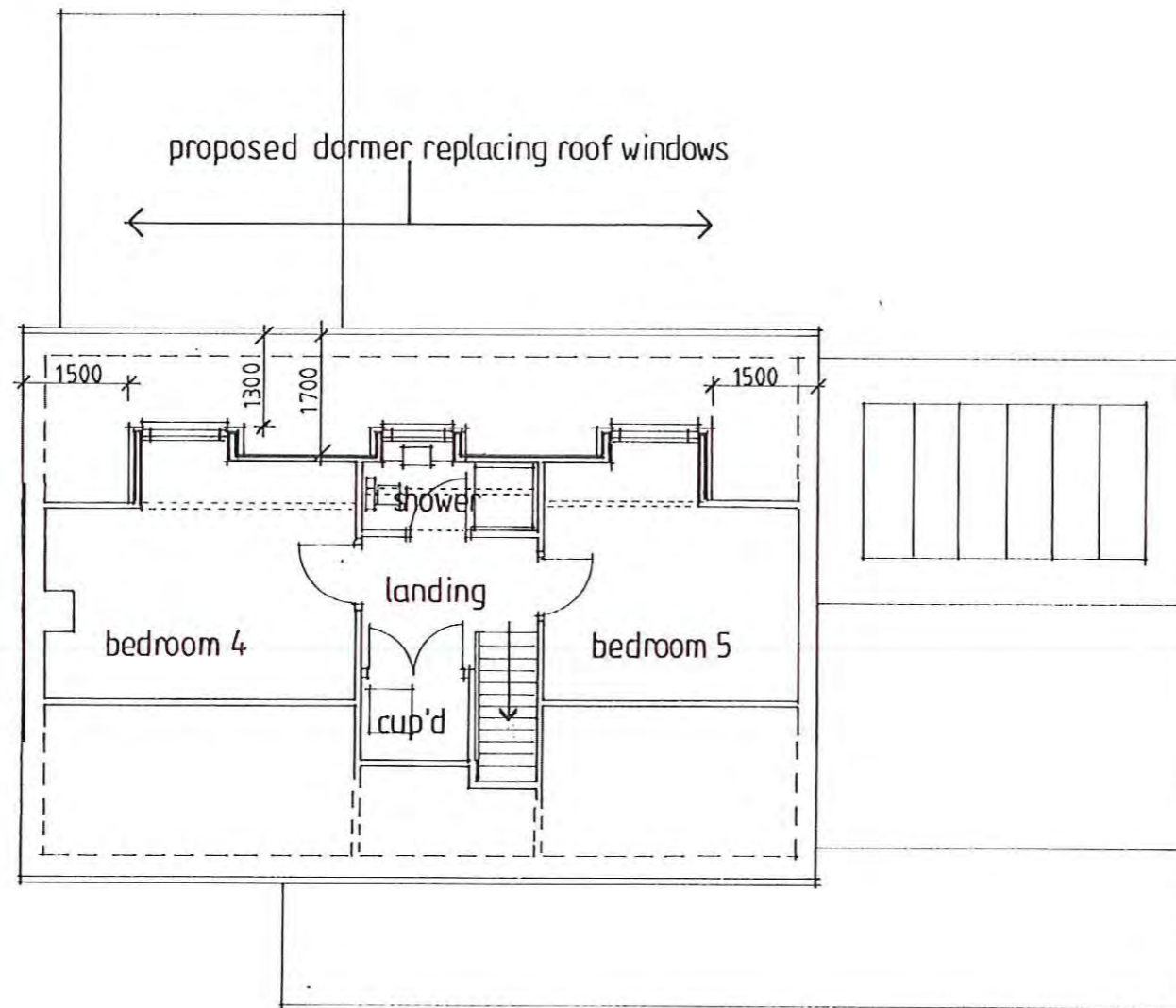


NYMNP
11 APR 2017

revision	description	date

The contractor shall check all dimensions on site and report discrepancies before work commences. No dimension shall be scaled off this drawing. ©Copyright of this drawing is retained by A L Turner

client	Mr & Mrs Beeforth		
project	Proposed Extensions and Alterations at Moonwind, Main Road, Egton, YO21 1UT		
title	First Floor Plan as Proposed		
A L Turner + Associates			
1 LORING ROAD, RAVENSCAR, SCARBOROUGH. YO13 6LY			
www.yorkshirearchitectural.co.uk			
date	scale	dwg size	drawn
03 17	1:100	A3	ALT
issue	planning	drawing no	rev
		2326:6	



NYMND/1
11 APR 2017

revision	description	date

The contractor shall check all dimensions on site and report discrepancies before work commences. No dimension shall be scaled off this drawing. ©Copyright of this drawing is retained by A.L. Turner

client	Mr & Mrs Beeforth		
project	Proposed Extensions and Alterations at Moonwind, Main Road, Egton, YO21 1UT		
title	Second Floor Plan as Proposed		
A.L. Turner + Associates 1 LORING ROAD, RAVENSCAR, SCARBOROUGH, YO13 0LY www.yorkshirearchitectural.co.uk			
date	scale	dwg size	drawn
03 17	1:100	A3	ALT
issue	drawing no.	rev.	
planning	2326:7		