

# ... a modern classic window system



## CILL:

- Universal design allows for either overhanging or stub cill.
- Rear projection resulting in less complex fabrication. Standard leg detail enables the use of existing VEKA fixing brackets.

## GEARING:

- Bespoke gearing features to allow fabricators free choice of suppliers including heavy duty spring balances
- Profile allows for correct and secure location of gearing fittings
- Provision for fitting of trickle vents within frame head

## GLAZING THICKNESS:

- Designed primarily for use with 28mm glazing thickness
- Can be used with Matrix 58 bead range to accommodate other glazing thicknesses if required

## BOTTOM SASH:

- Choice of two bottom sash options – Four-sided fully welded or Three-sided fully welded
- Mechanically coupled deep bottom rail
- NEW bottom gasket





Rated 'A'  
Available

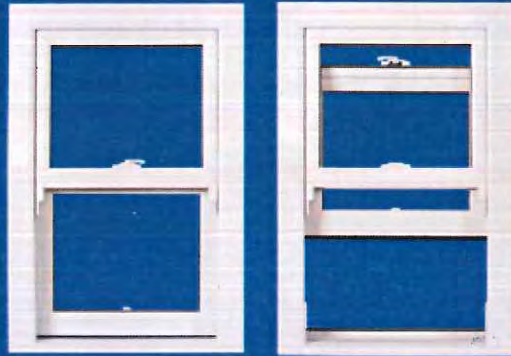
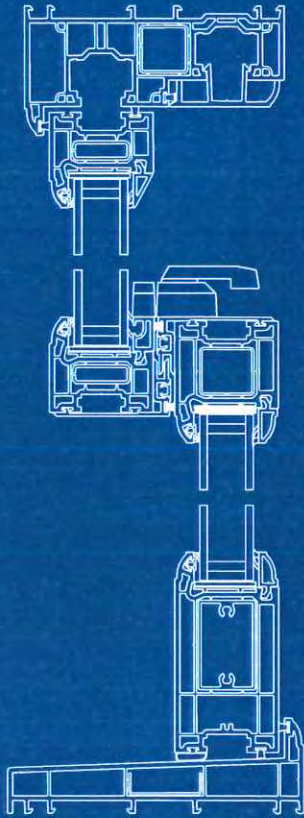
# The Vertical Slider Window System from VEKA

A rating available

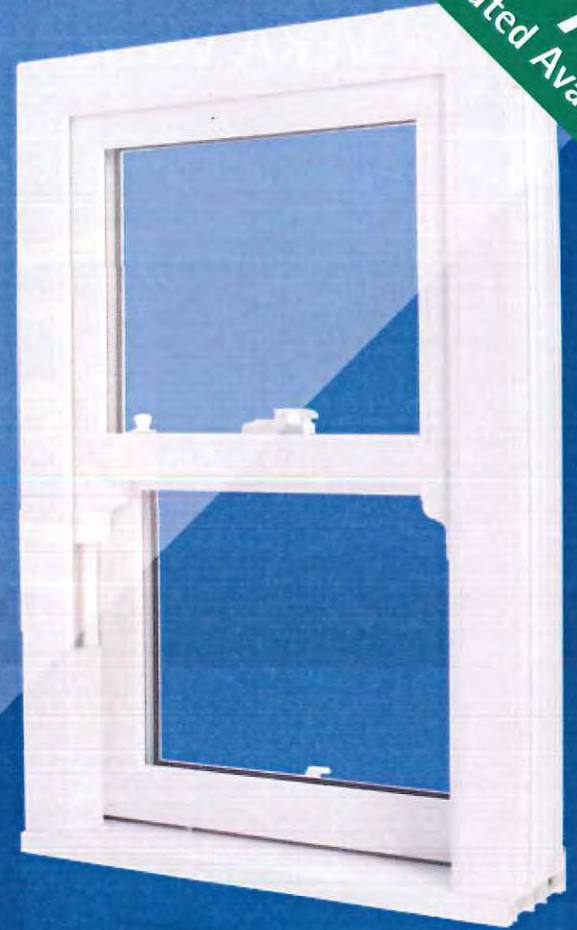
Run-through sash horns available

Slimline sash

Range of colours including foil on white  
and white woodgrain



NEW VEKA  
Vertical Slider



VEKA plc

VEKA plc Farrington Road, Rossendale Road Ind. Est. Burnley, Lancashire, BB11 5DA.

[www.vekauk.com](http://www.vekauk.com)

NYMNP  
08 MAY 2017

Vertical Slider Window System



For the best profile... anywhere