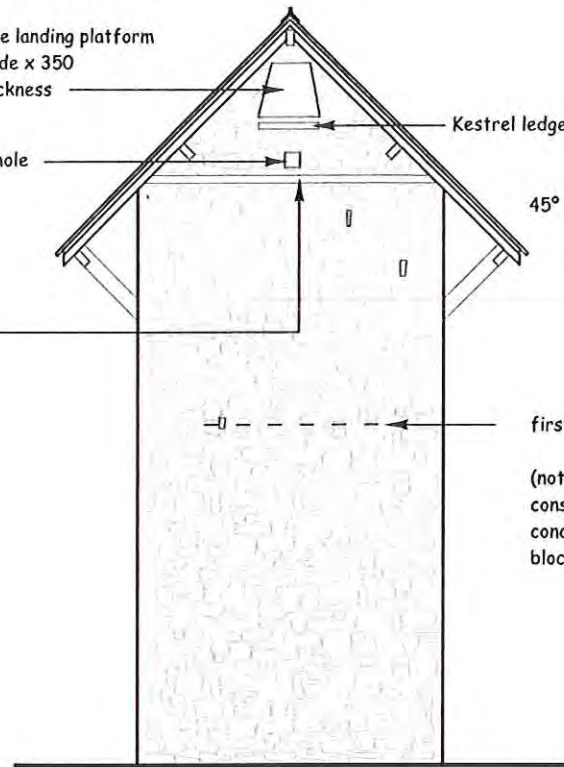


KESTREL access hole
250 wide (top) x 400 wide (bottom)
x 350 high.
with timber or stone landing platform
below size = 400 wide x 350
projecting x 50 thickness

LITTLE OWL access hole
100 x 100

LITTLE OWL perch



WEST FACING ELEVATION

45° pitch roof

first floor level

(note: first floor
construction =
concrete beam +
block)

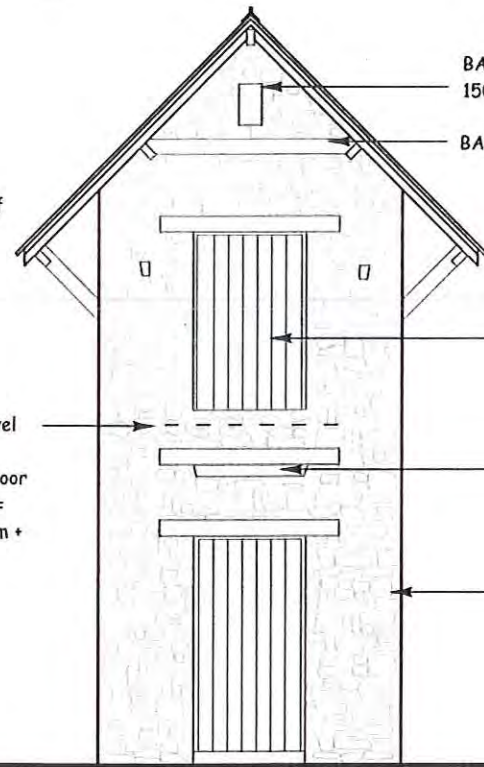
BARN OWL access hole
150 x 250

BARN OWL perch / ledge

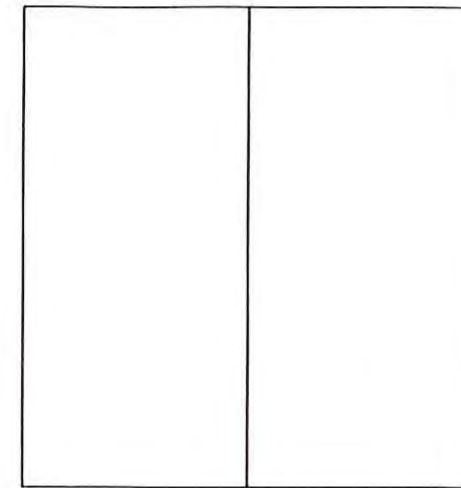
timber doors, lintels,
roof rafters and purlins.

BAT slot through stone
facing and inner blockwork
into tower. 700 x 100

walls:
local natural stone facing
to inner blockwork



EAST FACING ELEVATION



ROOF PLAN

NOTE

generous roof overhang at each
gable end provides required shelter
for safe fledging of young birds

North facing BAT box

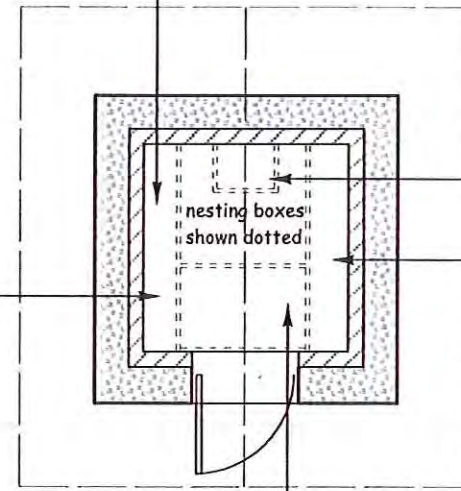
first floor
construction =
concrete beam +
block

nesting boxes
shown dotted

LITTLE OWL nestbox under
KESTREL nestbox

South facing BAT box

BARN OWL nestbox. Note
floor of nestbox must be
minimum 500 below access hole



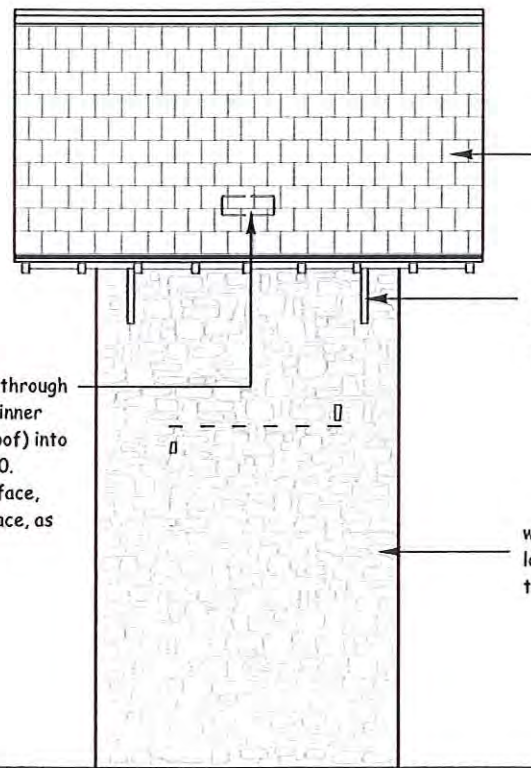
FIRST FLOOR LEVEL

roof:

natural slate.

Timber brackets to be fixed
to the inner blockwork in order
to stabilise the roof overhang

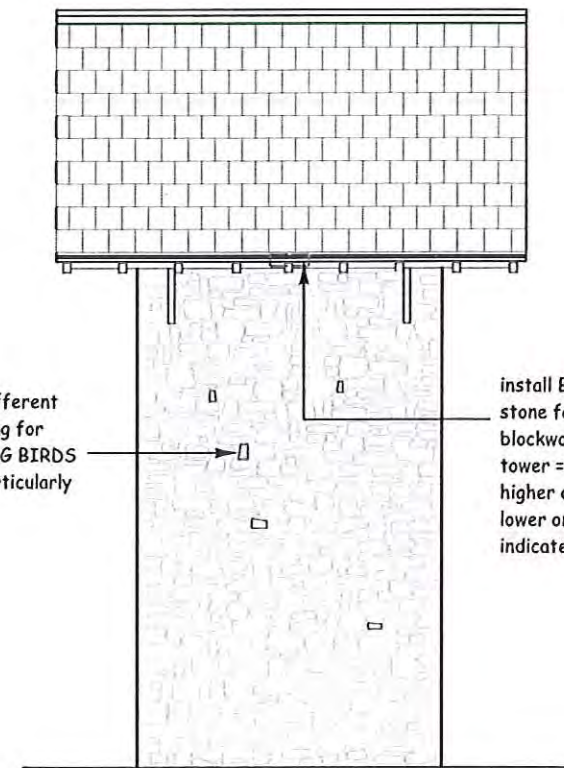
walls:
local natural stone facing
to inner blockwork



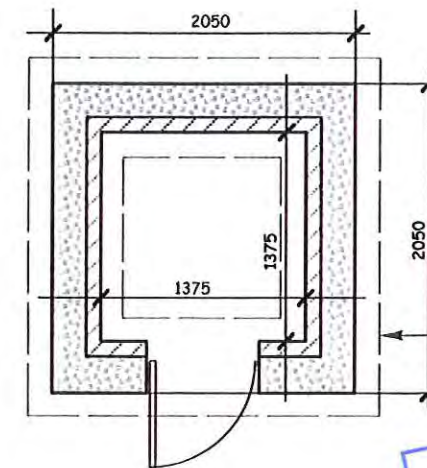
NORTH FACING ELEVATION

Install lots of cavities of different
sizes in depth of stone facing for
INVERTEBRATES, NESTING BIRDS
etc. to all wall faces, but particularly
to the South face

install BAT slots through
stone facing and inner
blockwork (not roof) into
tower = 150 x 350.
higher on North face,
lower on South face, as
indicated



SOUTH FACING ELEVATION

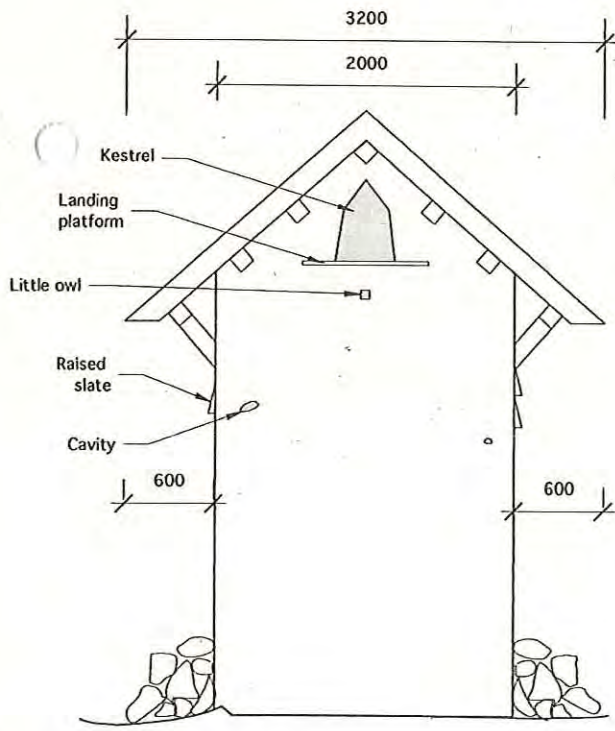


GROUND FLOOR LEVEL

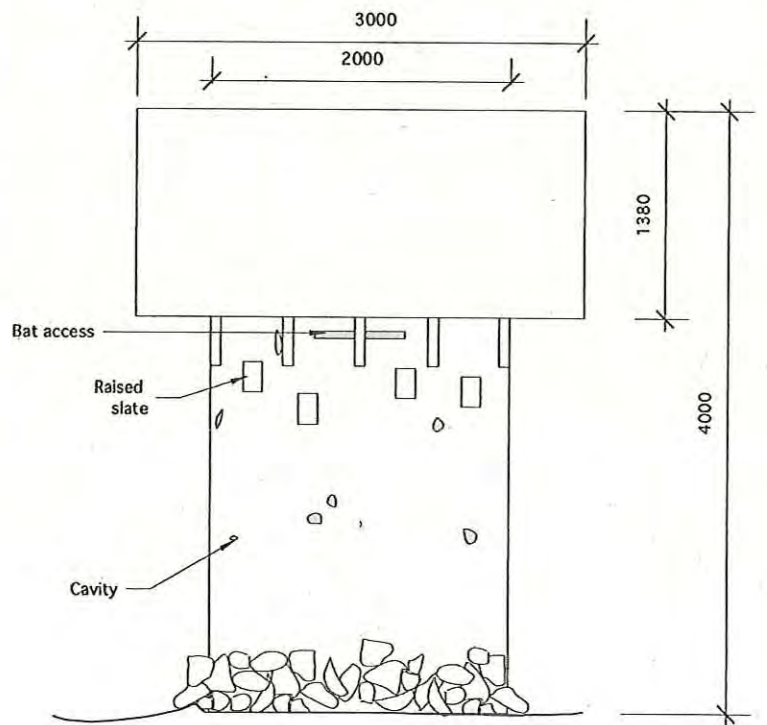
NYMADA
12 MAY 2017

ALL DIMENSIONS IN MILLIMETRES

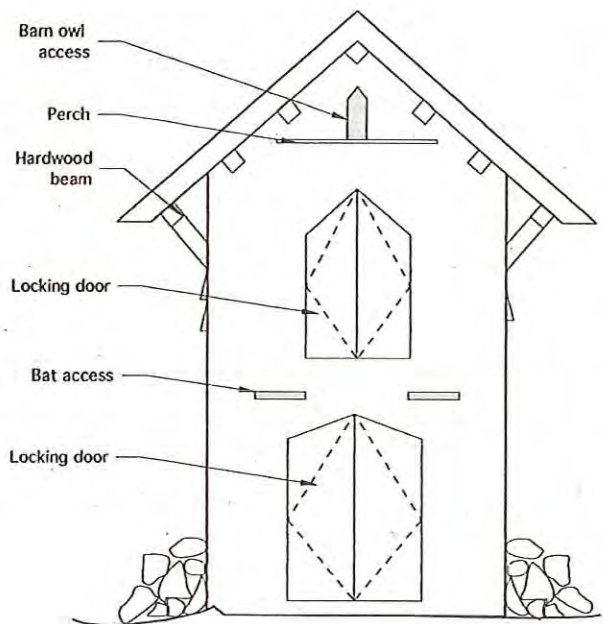
MICHAEL DEFRIEZ ARCHITECT	
CARPENTER'S COTTAGE WAMBRIDGE CHARD, SOMERSET.	TARD JEN
project BARN OWL TRUST Proposed Wildlife Tower	
drawing scheme	
project no.	drawing no. 04B
scale 1:50	date 27 Oct 2010
drawn MDF.	



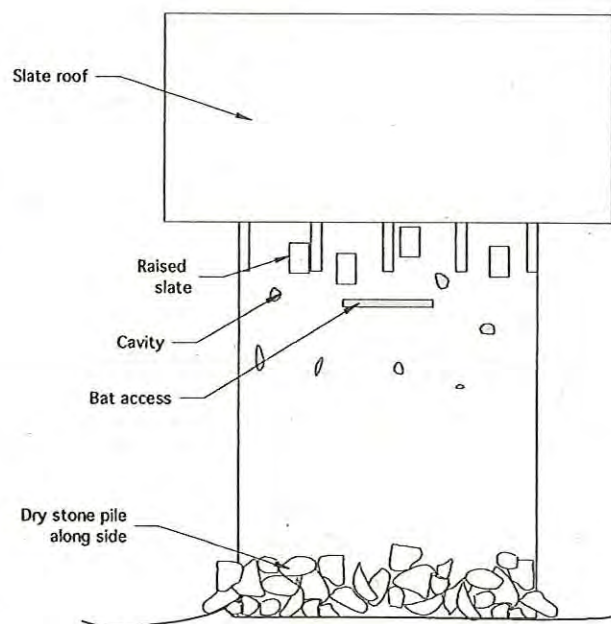
EAST ELEVATION



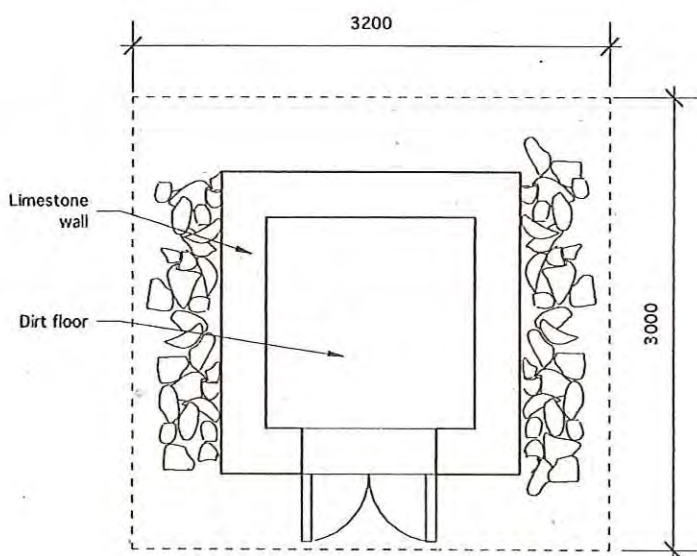
NORTH ELEVATION



WEST ELEVATION



SOUTH ELEVATION



PLAN

NYMMPD
 12 MAY 2017

**STONE WILDLIFE
REFUGE**

PROPOSED PLAN AND
ELEVATIONS

andrzej blonski architects
 24 kras vord schoolman at sohafields london e1 5fr

STATUS : Planning
 Date: 11.08.06
 Time: 1:50@A4 NS

1031 01-01