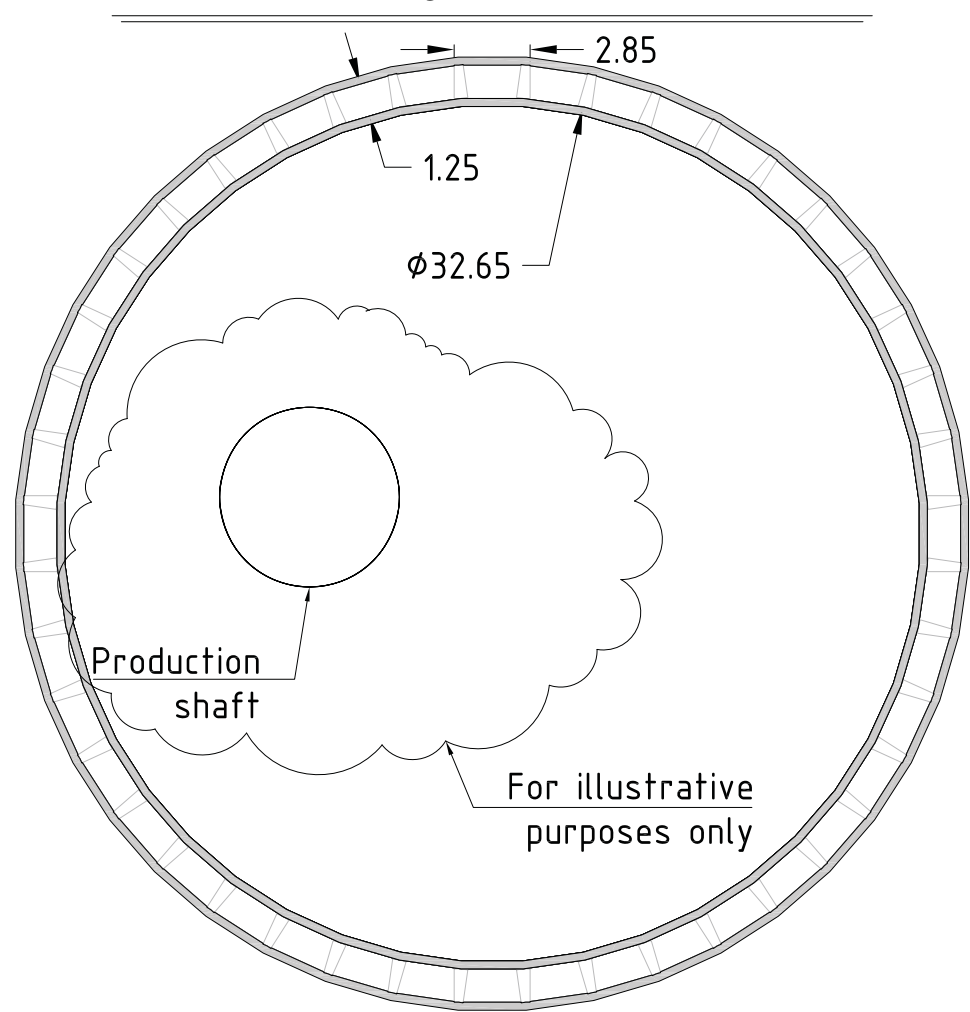
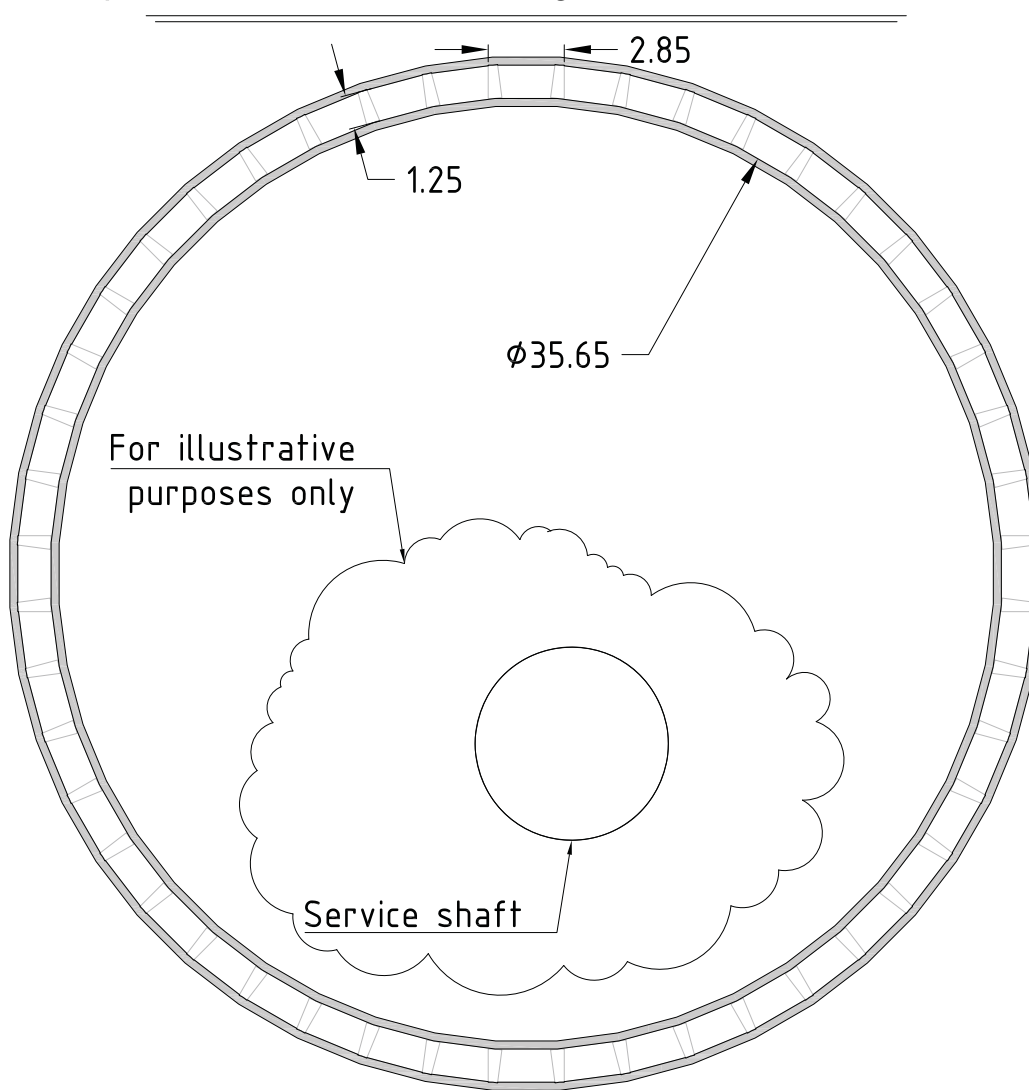


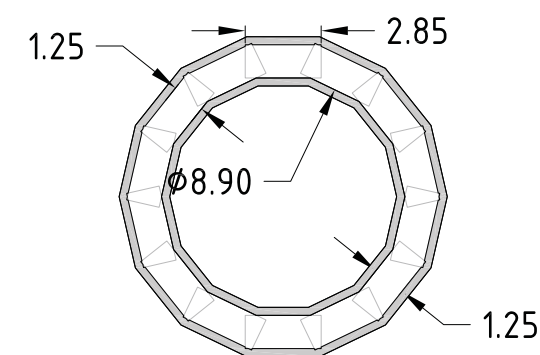
Top View Guide Wall -Headgear Chamber - Production Shaft



Top View Guide Wall - Headgear Chamber - Service Shaft





Top View Guide Wall MTS / TBM Shaft



FOR PLANNING PURPOSES
NOT FOR CONSTRUCTION

| | | | | | | | | | |
|----------|----------------------|------------|---------|------------|-----------|-------------|------|------|--|
| Revision | | Date | | By | | Checked by | | Date | |
| B | Issued for planning | 24.05.2017 | Henrich | 24.05.2017 | V&R | 24.05.2017 | | | |
| A | Issued for SM Review | 19.05.2017 | Henrich | 19.05.2017 | Dr. Franz | 19.05.2017 | | | |
| No. | Revision Description | Drawn by | Date | Checked by | Date | Approved by | Date | | |
| | | | | | | | | | |

NORTH YORKSHIRE POLYHALITE PROJECT - MINE SHAFT
 EARLY CONTRACTOR INVOLVEMENT
 CIVIL ENGINEERING

Preliminary guide wall layout for the headgear chamber and for the MTS shaft

| | | | | | | |
|-----------|-------------|--------------|--------|-------|-------------------------|------|
| Drawn by: | Checked by: | Approved by: | Scale: | Size: | Drawing No.: | Rev: |
| Jakob | Henrich | Dr. Franz | 1:100 | A0 | 40-AMC-WS-71-CH-DR-0079 | 0 |