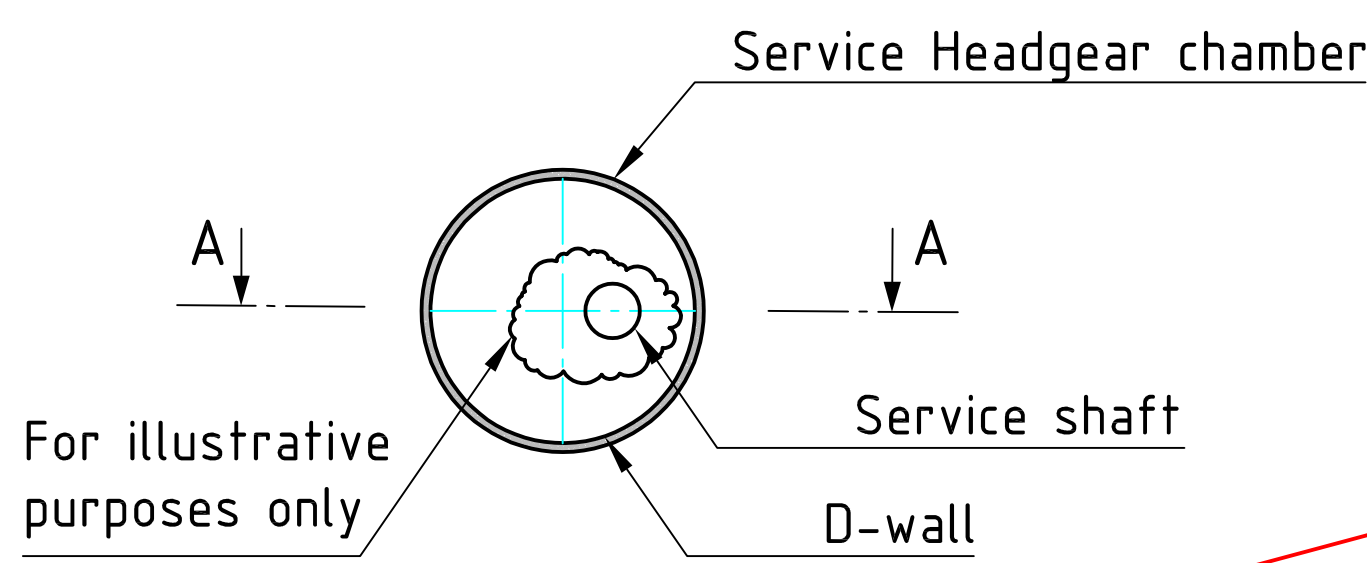
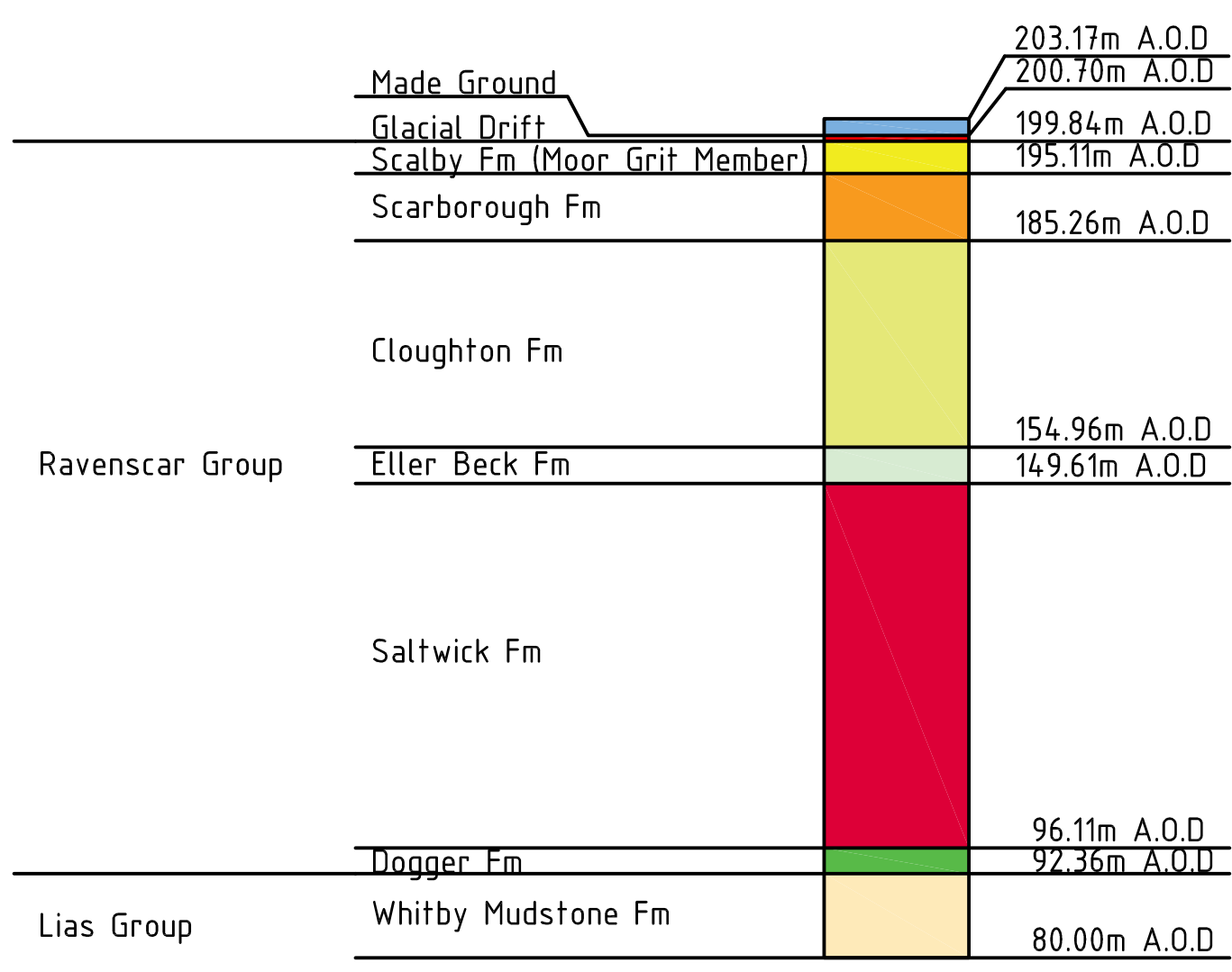
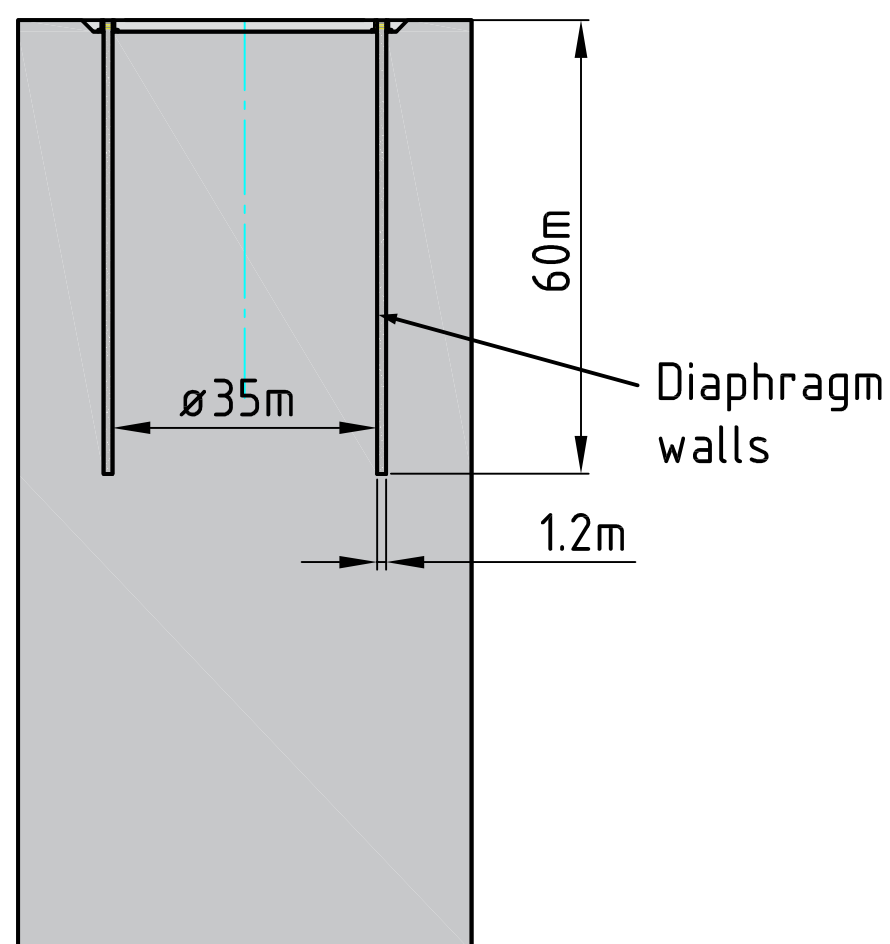


The reproduction, distribution and utilization of this document as well as the communication of its contents to others without expressed authorization is prohibited. Offenders will be held liable for the payment of damages. All rights reserved in the event of the grant of a patent, utility model or design.



For illustrative purposes only

**FOR PLANNING PURPOSES  
NOT FOR CONSTRUCTION**

Rev.	Revision Description	Drawn by	Date	Checked by	Date	Approved by	Date
A	Issued for Planning	Sancho Calderón	23.05.2017	Hentrich	24.05.2017	Voll	24.05.2017



**NORTH YORKSHIRE POLYHALITE PROJECT - MINE SHAFT**  
**EARLY CONTRACTOR INVOLVEMENT**  
**CIVIL ENGINEERING**  
**SERVICE HEADGEAR CHAMBER CROSS SECTION**

Drawn by:	Checked by:	Approved by:	SMP Approved by:	SCALE	SIZE	DRAWING NO.	REV.
Sancho Calderón	Hentrich	Voll		1:1000	A3	40-AMC-WS-12-CI-DR-1901	0
Date: 23.05.2017	Date: 24.05.2017	Date: 24.05.2017	Date:				

Weitergabe sowie Vervielfältigung dieses Dokuments, Verwertung und Mitteilung seines Inhalts sind verboten, soweit nicht ausdrücklich gestattet. Zuwiderhandlungen verpflichten zu Schadenersatz. Alle Rechte für den Fall der Patent-, Gebrauchsmuster- oder Geschmacksmusteranmeldung vorbehalten.