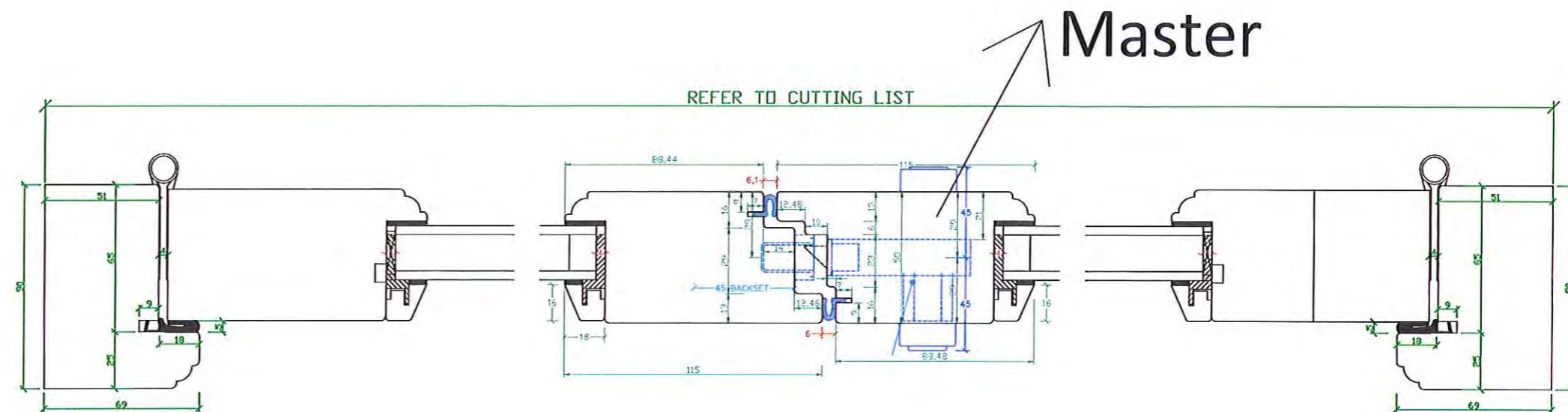
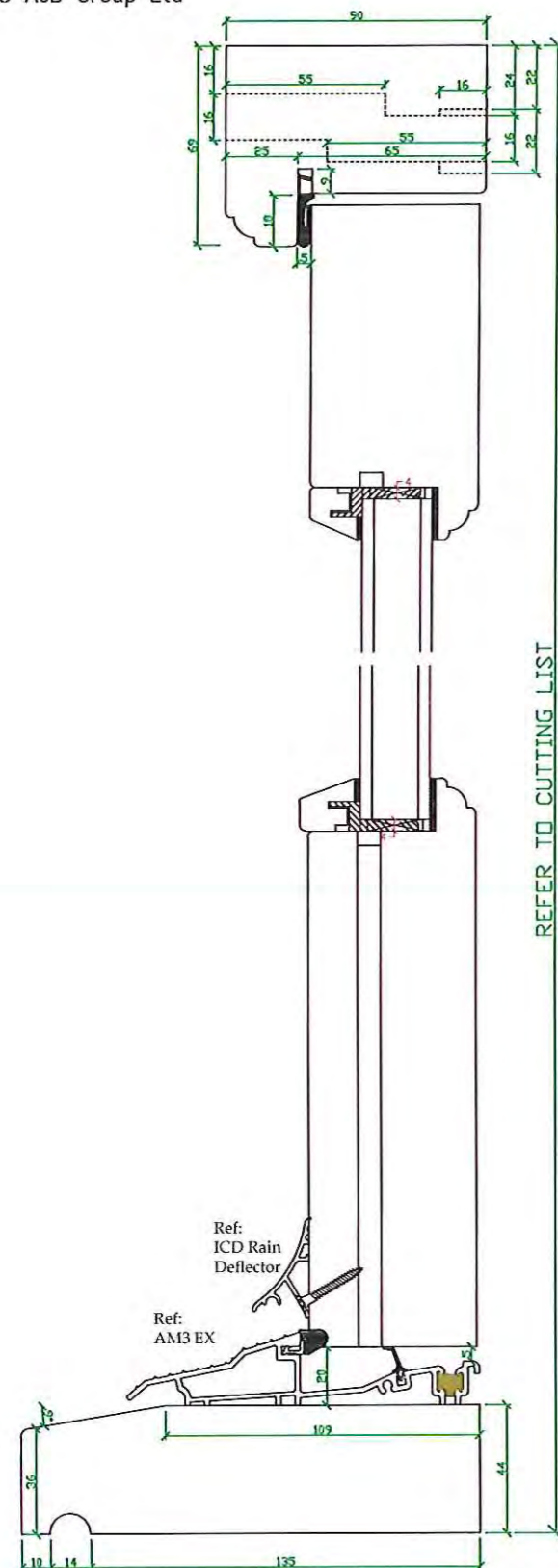


Do not scale from this drawing.

The drawing was prepared by AJB Group Ltd.
The copyright in the design and drawing belongs to AJB Group Ltd. Duplication of this drawing and the design cannot be made without prior written consent from AJB Group Ltd.

©2013 AJB Group Ltd

A



Opening In

NYMNP
02 JUL 2017

CLIENT	PROJECT	Double Doors	
ADDRESS	TITLE		
	PURPOSE OF ISSUE	For Manufacture	
SCALE	D	C	DATE
NTS	1:1		03.11.15
JOB NO.	DRAWING NO.	REVISION	

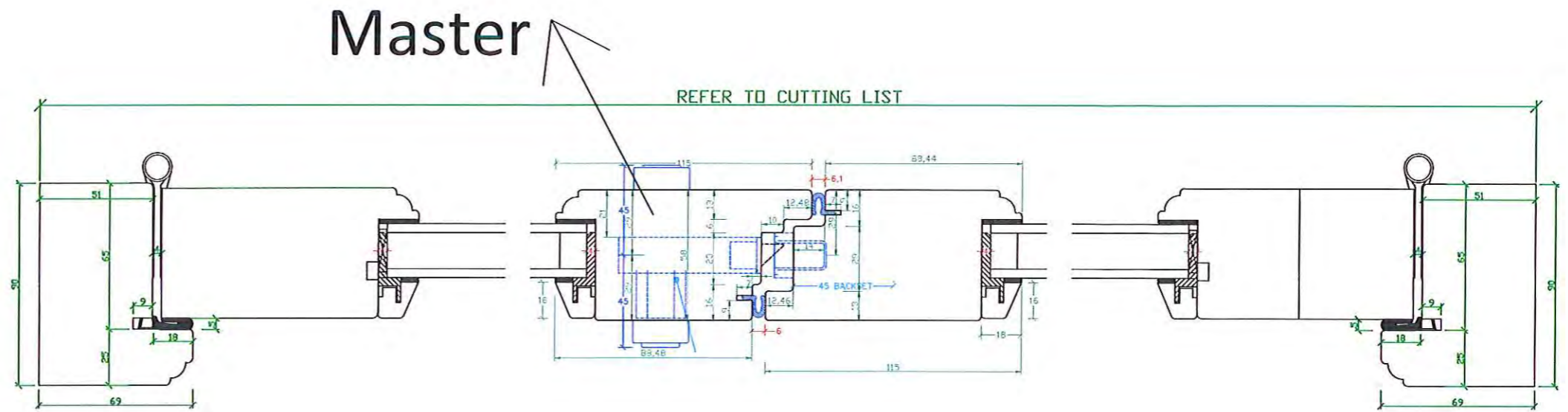
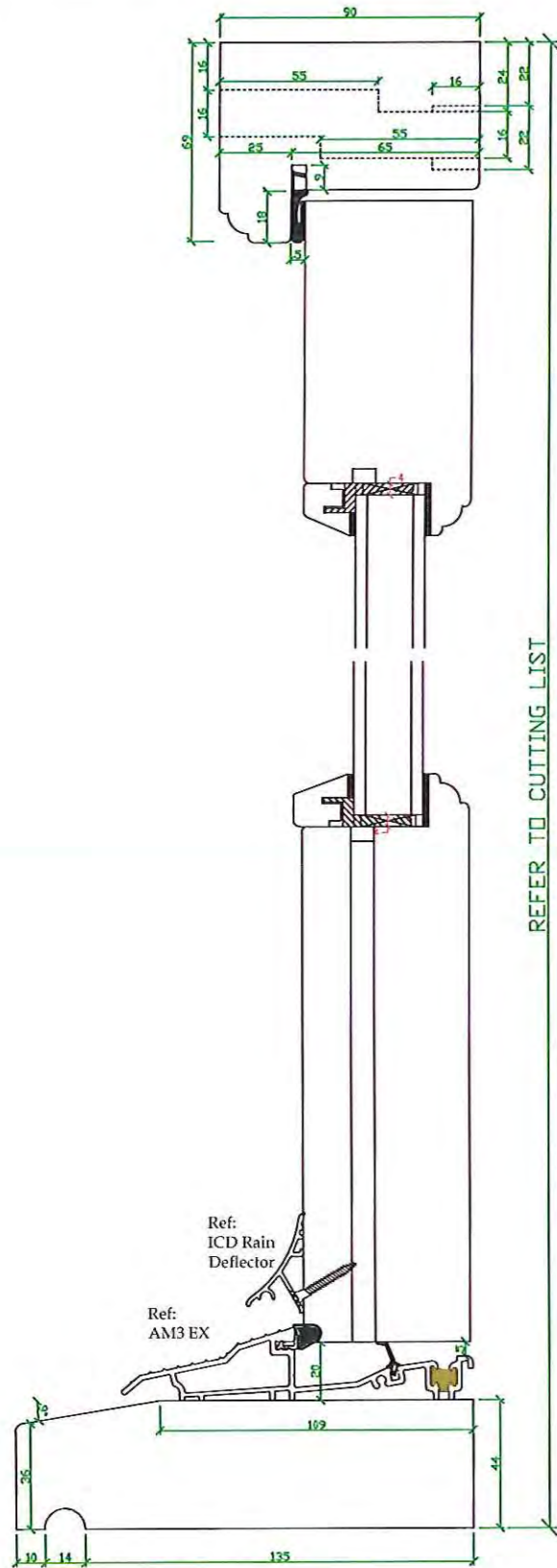


Do not scale from this drawing.

The drawing was prepared by AJB Group Ltd.
The copyright in the design and drawing belongs to AJB Group Ltd. Duplication of this drawing and the design cannot be made without prior written consent from AJB Group Ltd.

©2013 AJB Group Ltd

A



Opening In

NYMNPA
12 JUN 2017

CLIENT	PROJECT Double Doors		
ADDRESS	TITLE		
SCALE 1:15	D MB	C	DATE 03.11.15
JOB NO.	DRAWING NO.	REVISION /	

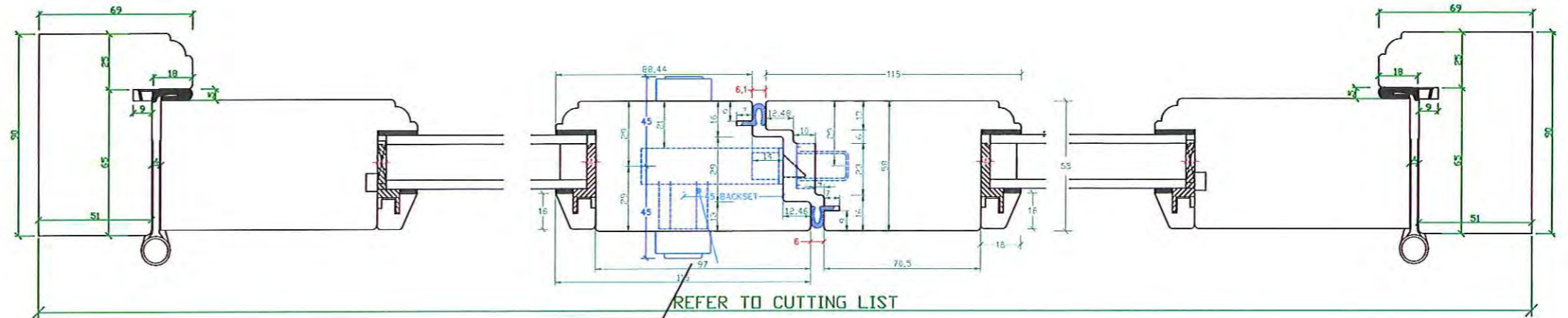
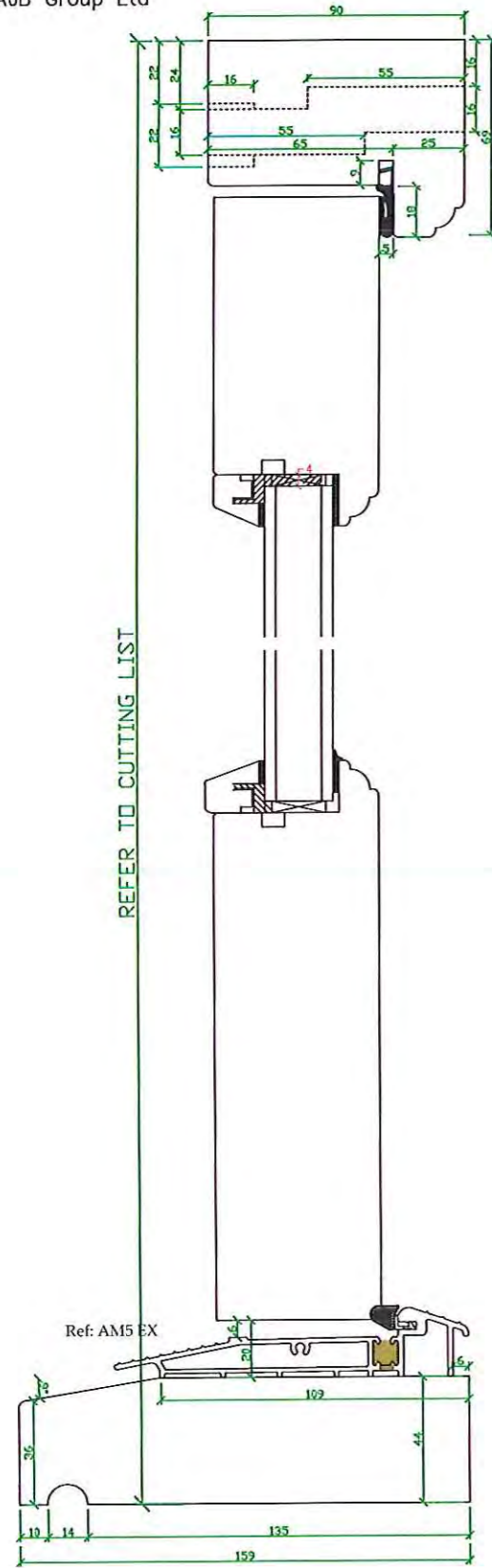
9 Earlswood Rd,
Earlswood Ind Est
Coventry, Northamptonshire
CV117 4AZ

Do not scale from this drawing.

The drawing was prepared by AJB Group Ltd.
The copyright in the design and drawing belongs to AJB Group Ltd. Duplication of this drawing and the design cannot be made without prior written consent from AJB Group Ltd.

©2013 AJB Group Ltd

A



Master

Opening Out

NYMNP
4.1.2017

CLIENT	PROJECT Double Doors		
ADDRESS	TITLE		
SCALE	PURPOSE OF ISSUE For Manufacture		DATE
JOB NO.	0	1/3	03.11.15
	DRAWING No.	<i>A. Binji</i>	REVISION
			1

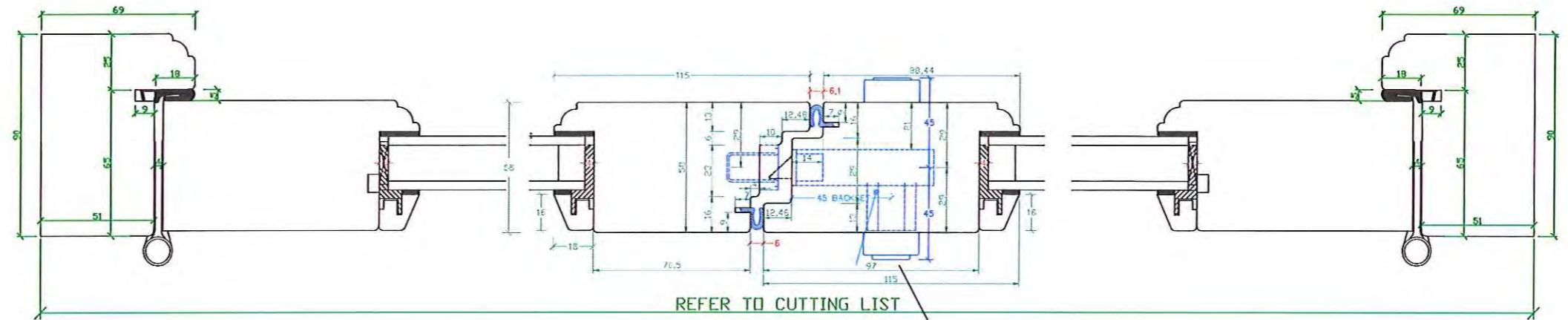
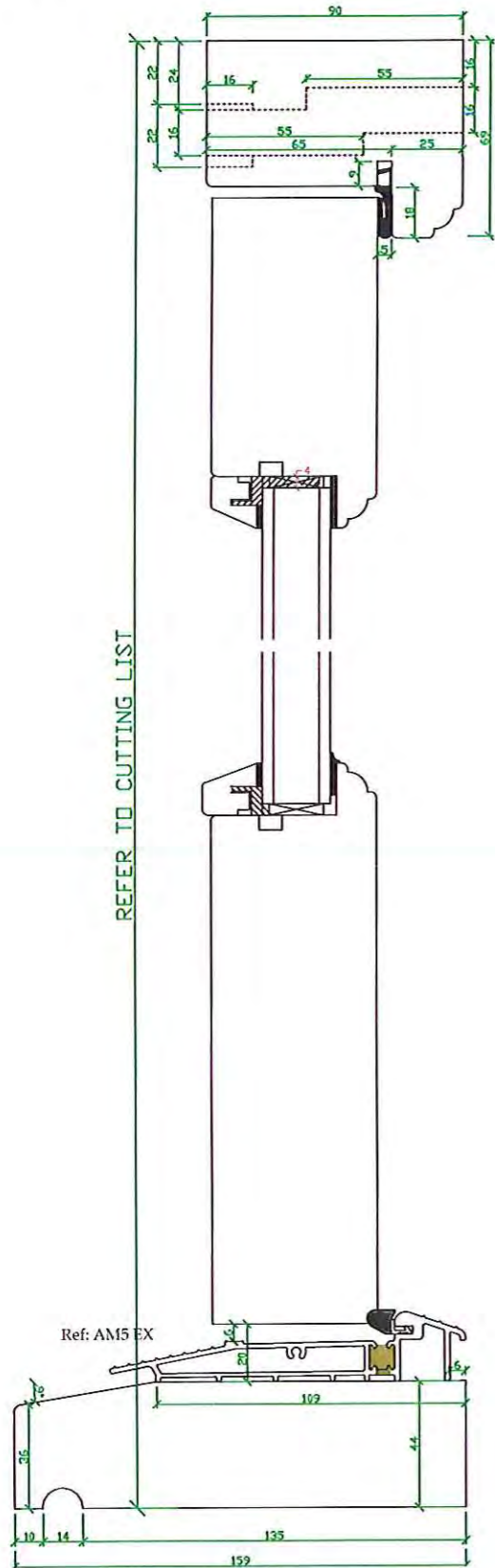
9 Earlswood Rd,
Earlswood Ind Est
Coventry, Northamptonshire
NN17 4AZ

Do not scale from this drawing.

The drawing was prepared by AJB Group Ltd.
The copyright in the design and drawing belongs to AJB Group Ltd. Duplication of this drawing and the design cannot be made without prior written consent from AJB Group Ltd.

©2013 AJB Group Ltd

A



Master

Opening Out

NYMNPA
1/2 JUN 2013

CLIENT	PROJECT	Double Doors
ADDRESS	TITLE	
	PURPOSE OF ISSUE	For Manufacture
SCALE	DRAWING No.	DATE
NTS	MS	A. Binji 03.11.15
JOB NO.	REVISION	1

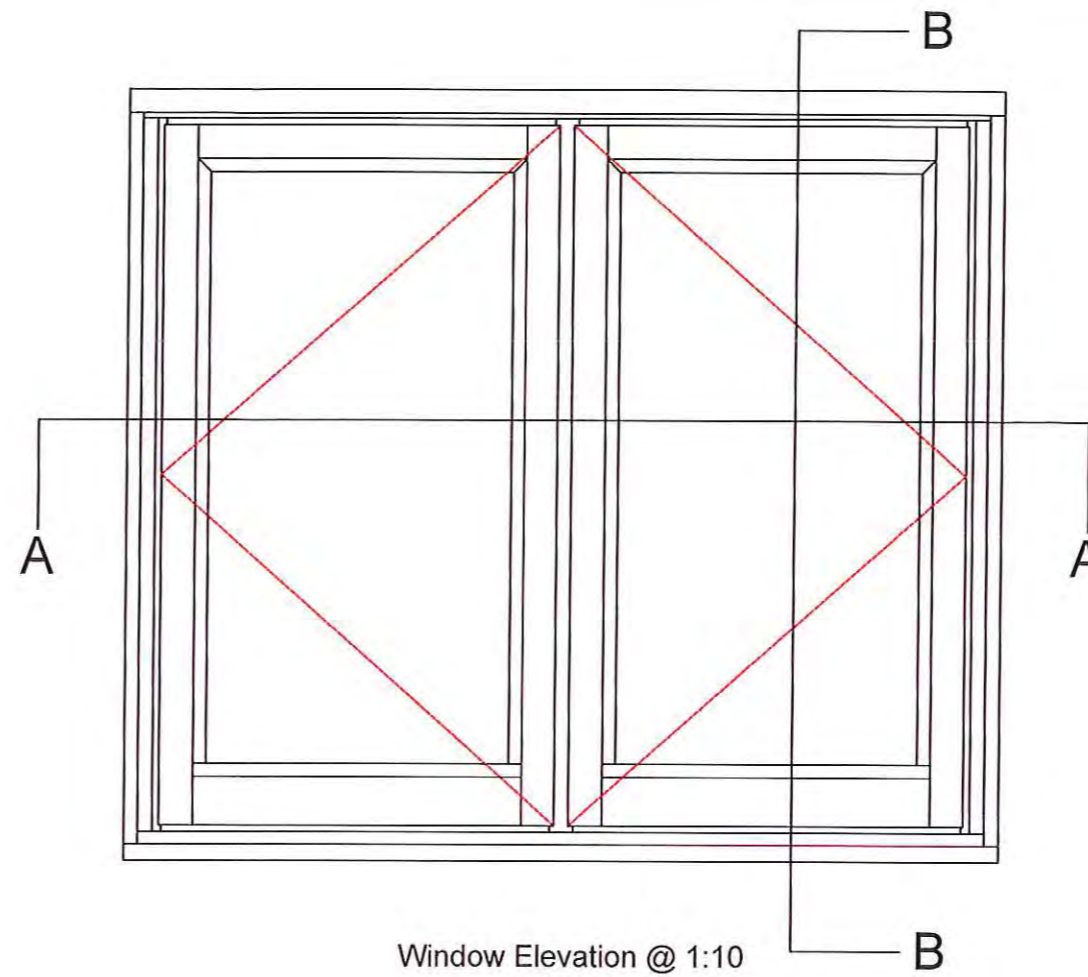
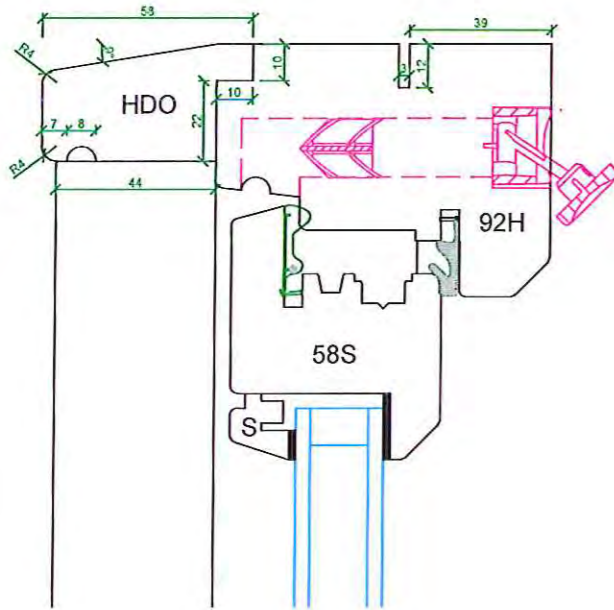
9 Earlswood Rd,
Earlswood Ind Est
Cotby, Northamptonshire
NN17 4AZ

Do not scale from this drawing.

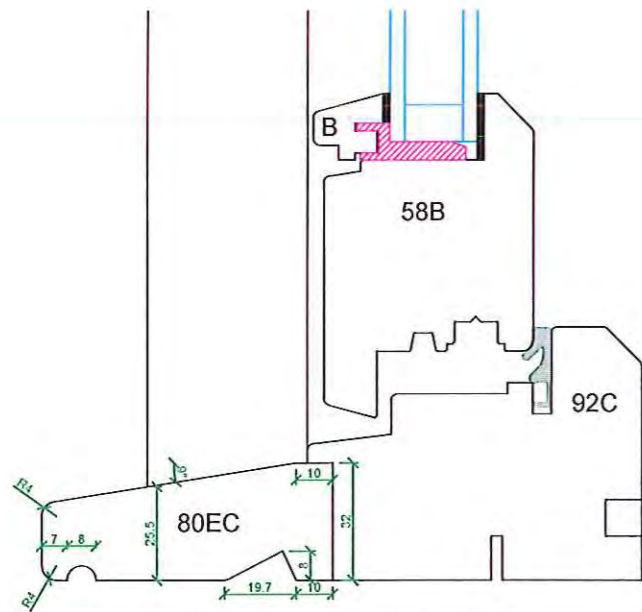
The drawing was prepared by AJB Group Ltd. The copyright in the design and drawing belongs to AJB Group Ltd. Duplication of this drawing and the design cannot be made without prior written consent from AJB Group Ltd.

© 2013 AJB Group Ltd

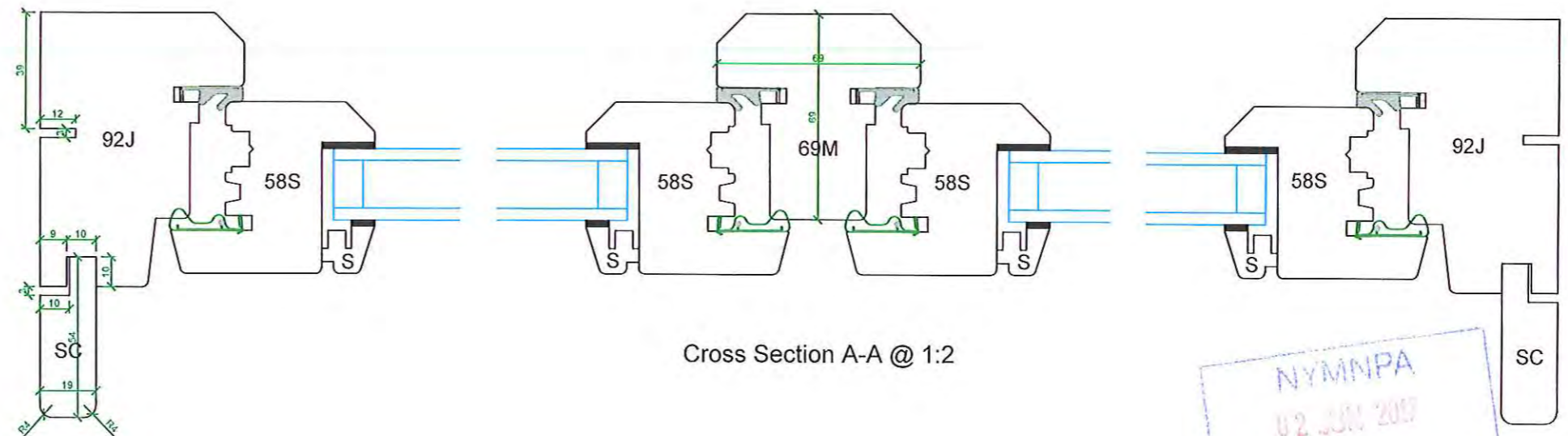
A3



Notes;
 Items 80EC, SC & HDO must be cut to exact length and finished all round for weather protection.
 12x3mm External Groove to follow all the around the frame.



Cross Section B-B @ 1:2



Cross Section A-A @ 1:2

NYMNP
 02 JUN 2017

Oakwrights Ltd

Rev: A - 12x3mm External Groove

By Date
MSB 24.08.15

CLIENT	PROJECT	Windows	
ADDRESS	TITLE	Window Details	
	PURPOSE OF ISSUE	For Manufacture	
SCALE	D	C	DATE
1:10 & 1:2 @ A3	MSB		29.06.15
DWG NO	DRAWING NO.	REVISION	
	OW 01	A	

AJB group
 43 KENILWORTH DR,
 OADBY IND ESTATE,
 LEICESTER,
 LE2 8LT.