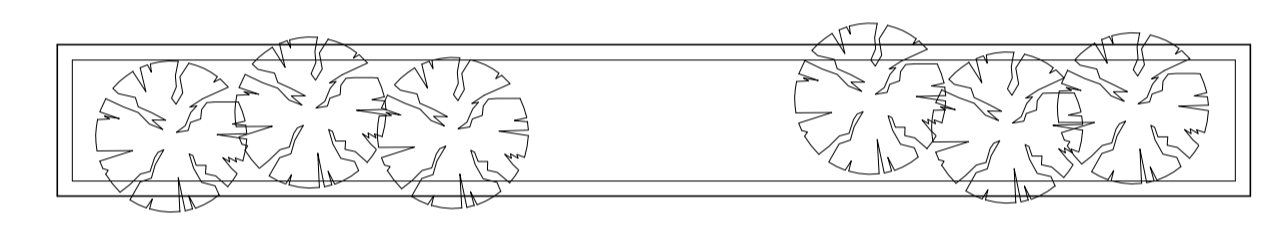
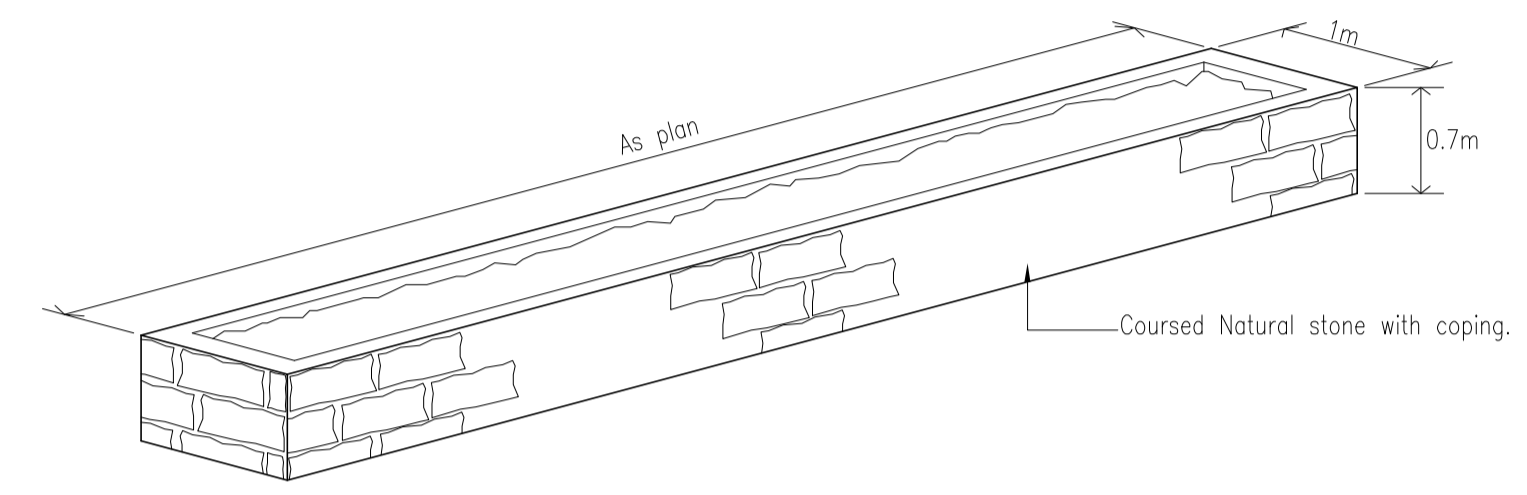


- DO NOT SCALE from this drawing. Only figured dimensions are to be taken from this drawing.
- The Contractor must verify all dimensions on site before commencing any work or shop drawings.
- The Contractor must report any discrepancies before commencing work. If this drawing exceeds the quantities taken in any way, the Technician is to be informed before work is initiated.
- Work within The Construction (Design and Management) Regulations 1994 is not to start until a Health & Safety Plan has been produced. This drawing is Copyright and must not be reproduced without consent of BHD Partnership Ltd



**PROPOSED Planters (typical)**  
Scale 1:50 @ A1

**PROPOSED Block Plan**  
Scale 1:200 @ A1

REV	DATE	BY	AMENDMENT	CHKD	APVD
B	16/10/17	CE	Amended to suit client		
A	04/09/17	NID	ISSUED FOR DISCUSSION		

**b h d partnership**  
 Airy Hill Manor, Whitby, North Yorkshire, UK, YO21 1QB.

DISCIPLINE: **ARCHITECTURAL**

CLIENT: **Sky Scaffold**

PROJECT: **New Scaffolding Yard  
Site off fairfield Way, Whitby YO22 4PU**

TITLE: **Proposed block plan**

DRAWN: NID	CHECKED:	APPROVED:
SCALE & SIZE: 1:200 @ A1	DATE: 04/09/17	DRAWING STATUS: DISCUSSION

DRAWING No: **D11177-02** REV: **B**