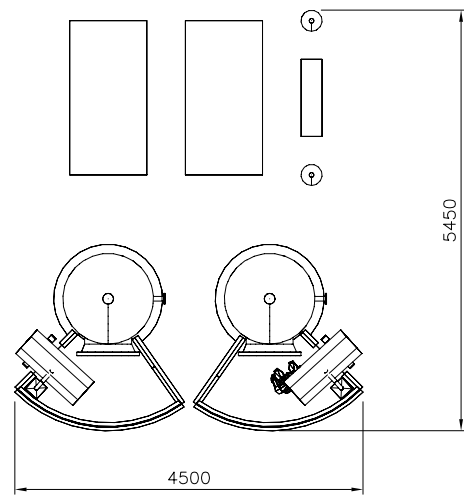
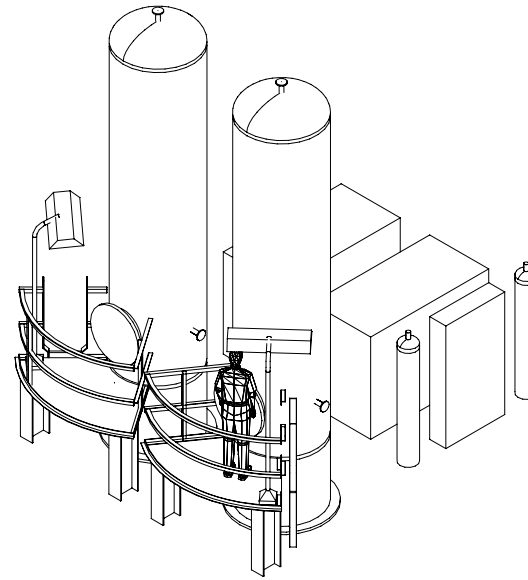


PLANT NORTH



PLAN ELEVATION
(SCALE 1:50)



ISOMETRIC VIEW LOOKING NORTH-WEST

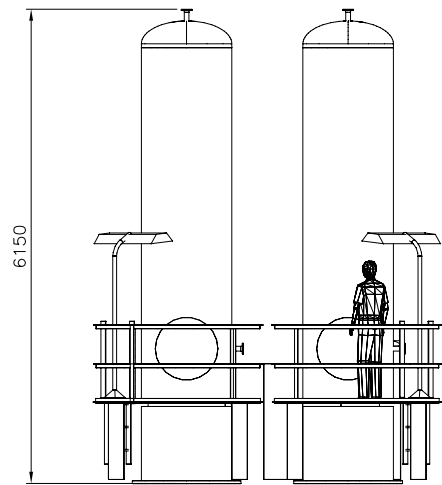
NOTES:

1. ALL DIMENSIONS ARE IN mm UNLESS NOTED OTHERWISE.
2. DRAWINGS ARE FOR CONCEPT/PLANNING PURPOSES ONLY.
3. PIPING, VALVES, ETC ARE NOT SHOWN FOR CLARITY.

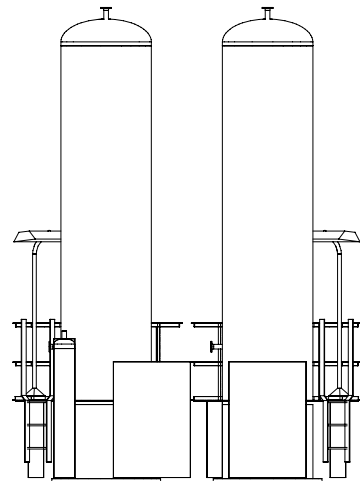
KEY:

 TWIN 58W FLUORESCENT LIGHT FITTINGS SUITABLE FOR ZONE 2. TO BE MOUNTED ON SIDES OF BUILDINGS.

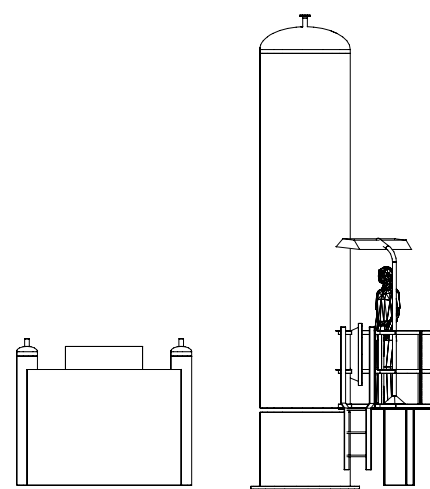
 TWIN 58W FLUORESCENT LIGHT FITTINGS SUITABLE FOR ZONE 2. TO BE MOUNTED ON A 2.2m POLE.



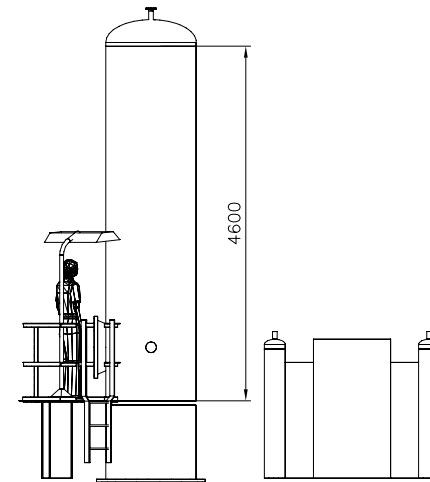
VIEW LOOKING NORTH
(SCALE 1:50)



VIEW LOOKING SOUTH
(SCALE 1:50)



VIEW LOOKING EAST
(SCALE 1:50)



VIEW LOOKING WEST
(SCALE 1:50)



Date	Signature	Title
06/01/10	B.SYKORA	DRN.
19/01/10	N.REID	CHKD.
19/01/10	M.SPREADBURY	APPR.
		CLIENT APPR.

MOORLAND ENERGY LTD.
RYEDALE GAS PROJECT
CONCEPT/PLANNING
INSTRUMENT AIR PACKAGE GA

REV.	DATE	DRN.	CHKD.	APPR.	CLIENT APPR.	DESCRIPTION
2	12/02/10	L.A.R.	N.R.	M.S.		REVISED FOR PLANNING APPLICATION
1	19/01/10	L.A.R.	N.R.	M.S.		ISSUED FOR CONCEPT DESIGN
0	06/01/10	B.S.	N.R.			ISSUED FOR IDC

Protech Land & Marine Project Engineering Ltd.	Drg. No. 18761906	Sheet 1 of 1
CAD Reference 18761906 REV.2	Scale 1:50 @ Size A1	Rev. 2