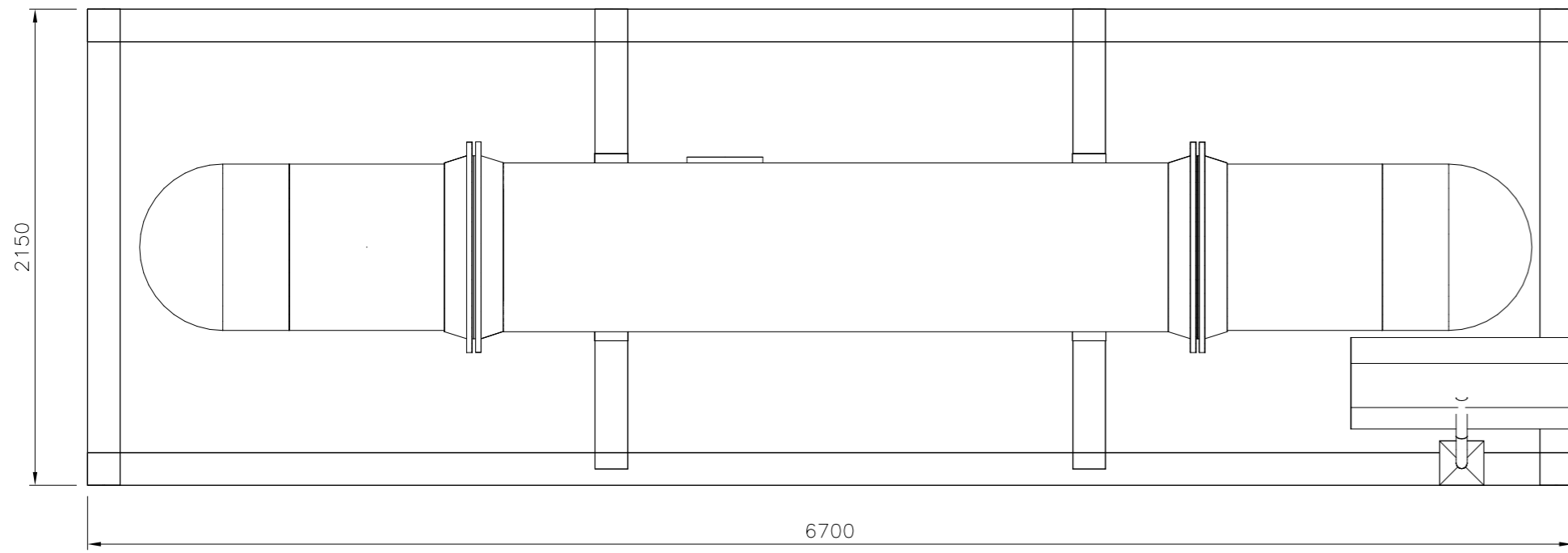
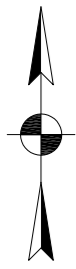
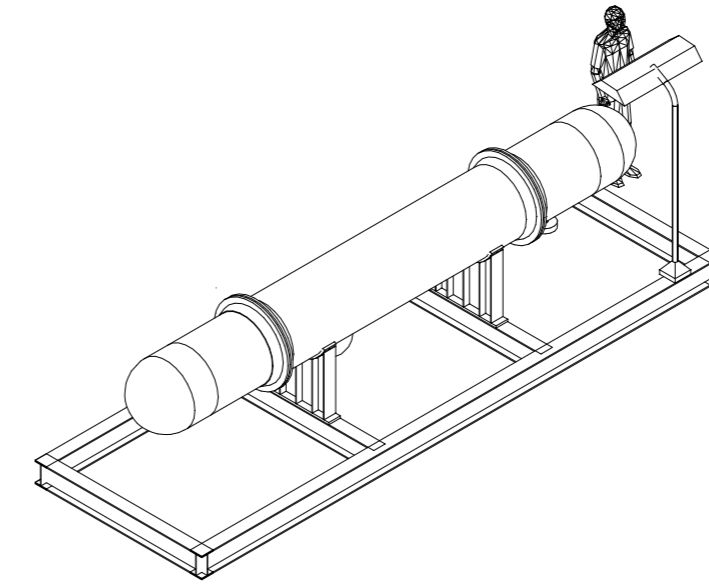
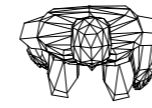


PLANT NORTH



**PLAN VIEW**  
(SCALE 1:20)



**ISOMETRIC VIEW LOOKING NORTH WEST**

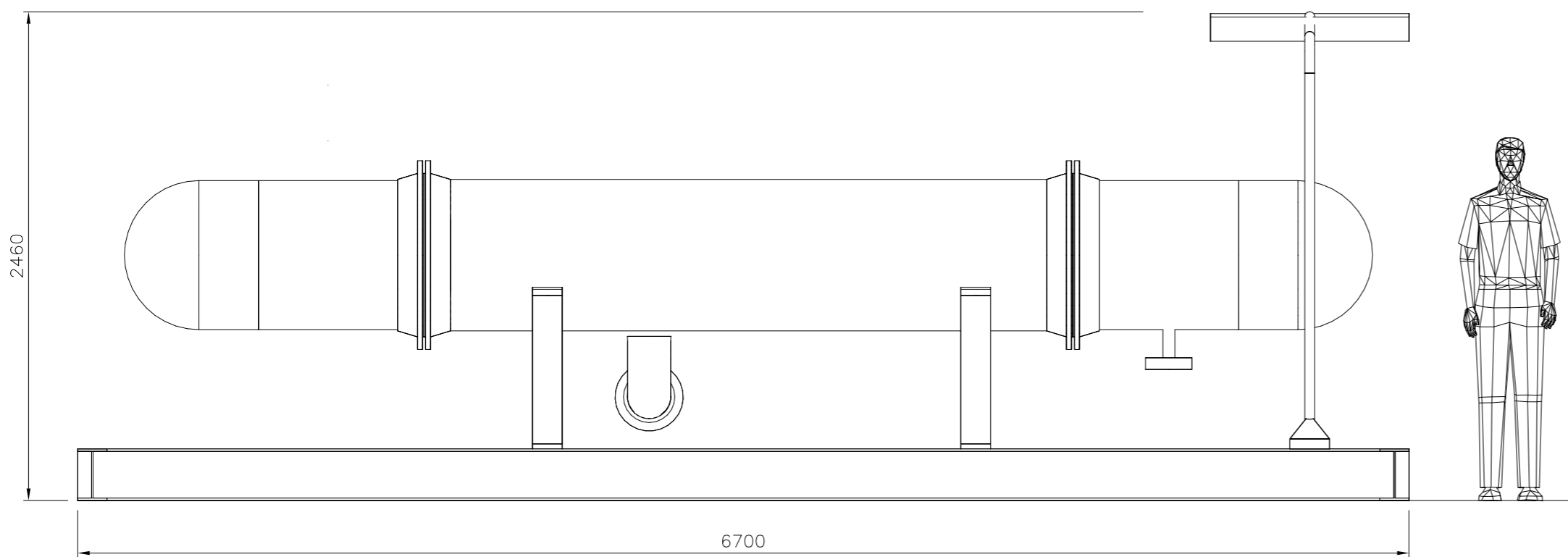
**NOTES:**

1. ALL DIMENSIONS ARE IN mm UNLESS NOTED OTHERWISE.
2. DRAWINGS ARE FOR CONCEPT/PLANNING PUPOSES ONLY.
3. PIPING, VALVES, ETC ARE NOT SHOWN FOR CLARITY.

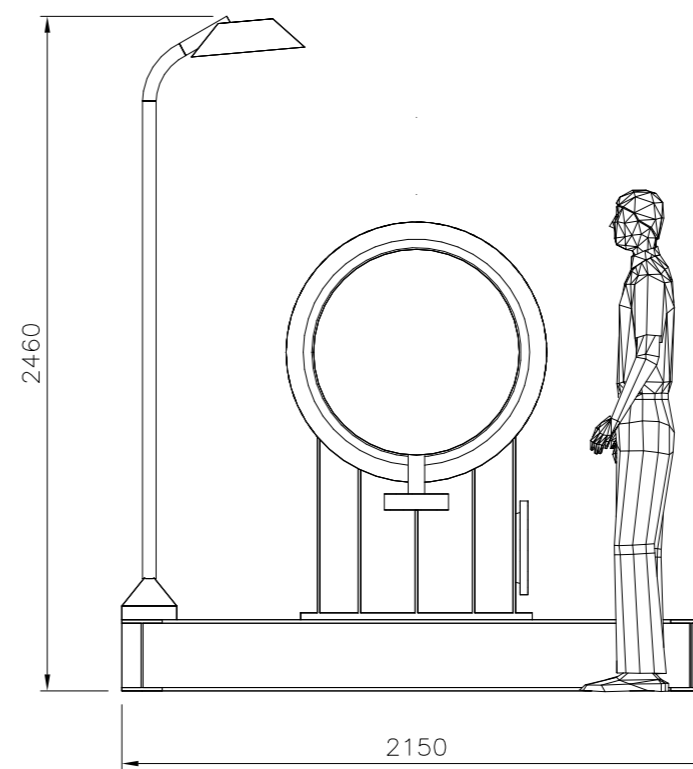
**KEY:**



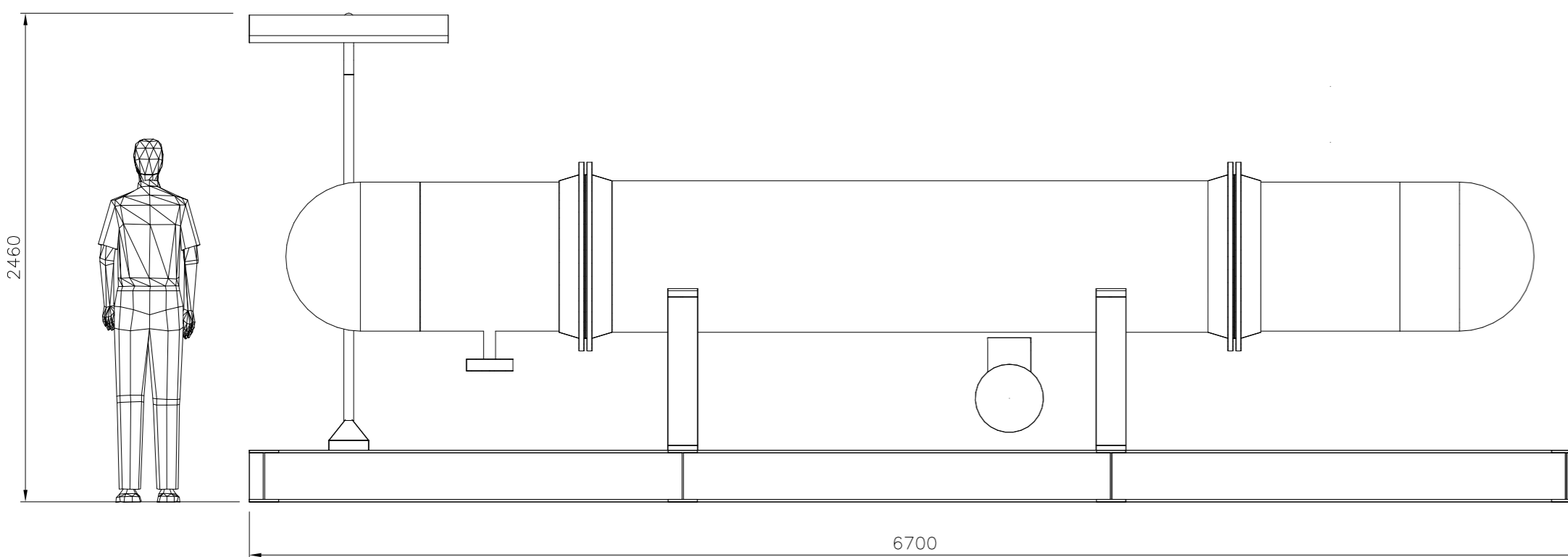
TWIN 58W FLUORESCENT LIGHT FITTINGS SUITABLE FOR ZONE 2.  
TO BE MOUNTED ON A 2.2m POLE.



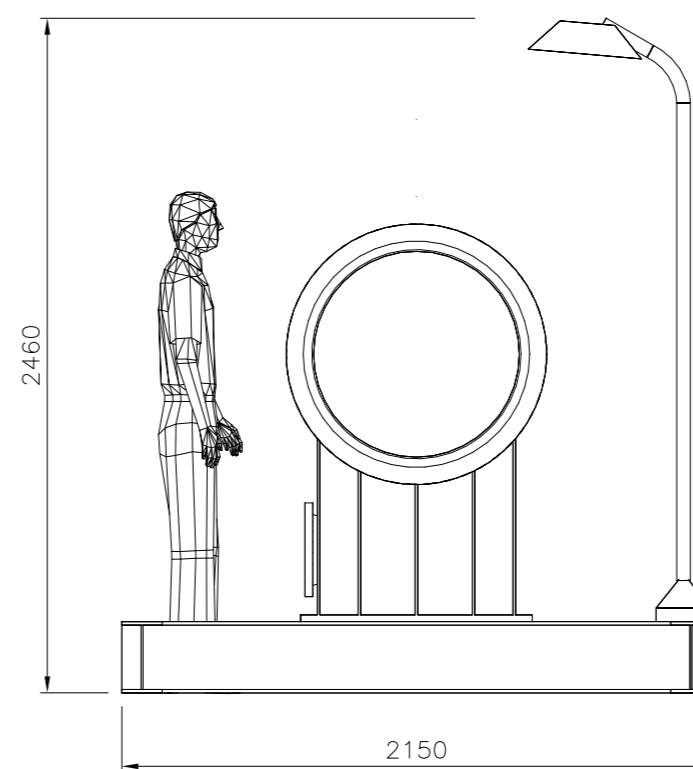
**VIEW LOOKING NORTH**  
(SCALE 1:20)



**VIEW LOOKING WEST**  
(SCALE 1:20)



**VIEW LOOKING SOUTH**  
(SCALE 1:20)



**VIEW LOOKING EAST**  
(SCALE 1:20)



Drn.	07/01/10	B.SYKORA		<b>MOORLAND ENERGY LTD.</b> RYEDALE GAS PROJECT CONCEPT/PLANNING GAS/GAS EXCHANGER GA	2
Chkd.	19/01/10	N.REID			
Appr.	19/01/10	M.SPREADBURY			
Client Appr.					
			Drg. No. <b>18761922</b>	Sheet 1 of 1	
Land & Marine Project Engineering Ltd.			Scale 1:50 © Size A1	Rev. 2	
CAD Reference 18761922					

REV.	DATE	DRN.	CHKD.	APPR.	CLIENT APPR.	DESCRIPTION
2	12/02/10	B.S.	N.R.	M.S.		REVISED FOR PLANNING APPLICATION
1	19/01/10	L.A.R.	N.R.	M.S.		ISSUED FOR CONCEPT DESIGN
0	07/01/10	B.S.	N.R.			ISSUED FOR IDC