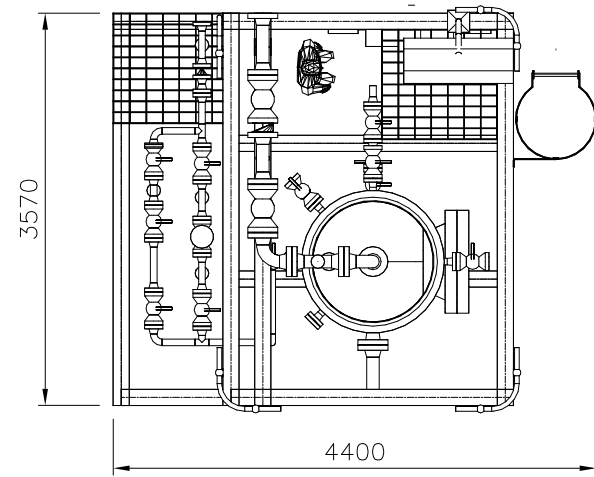
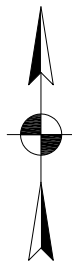
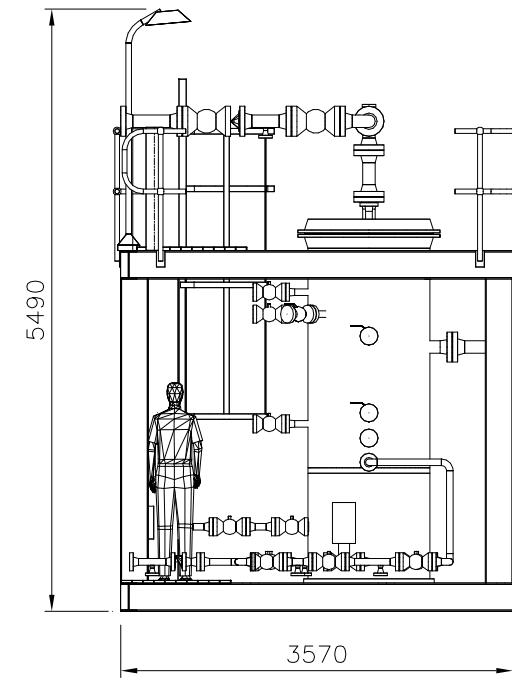


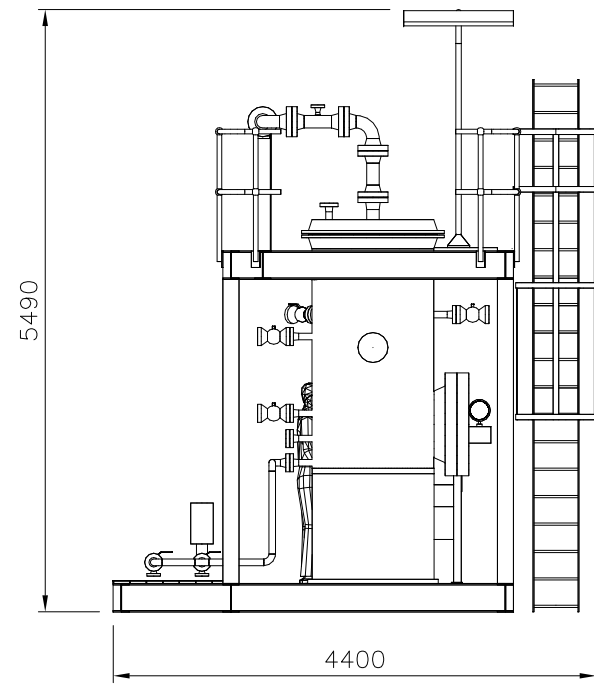
PLANT NORTH



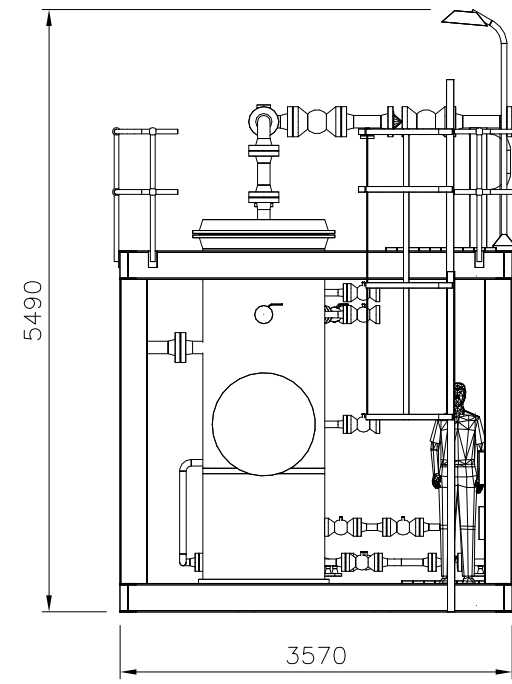
PLAN ELEVATION
(SCALE 1:50)



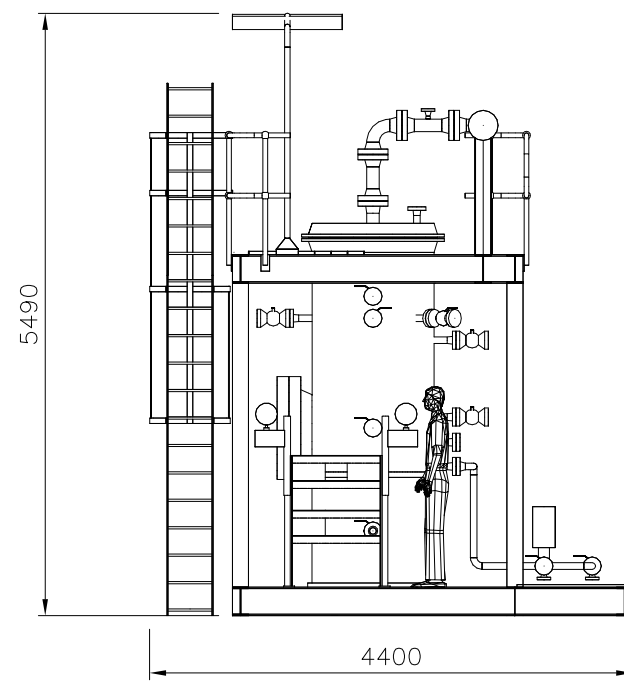
VIEW LOOKING EAST
(SCALE 1:50)



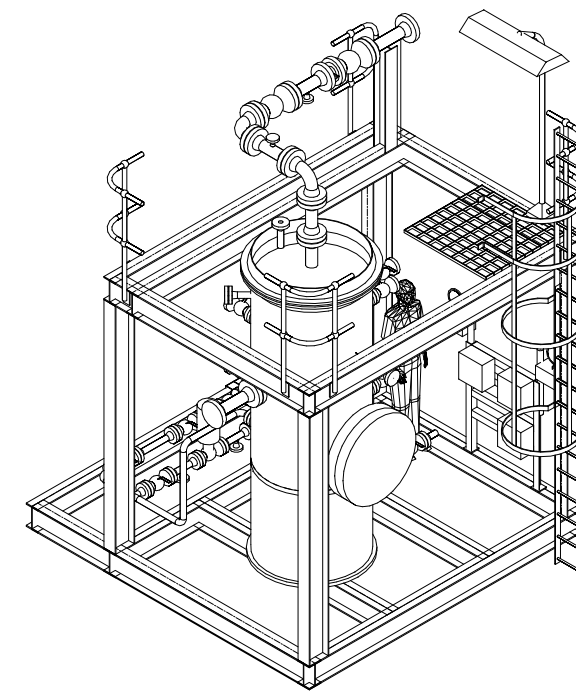
VIEW LOOKING NORTH
(SCALE 1:50)



VIEW LOOKING WEST
(SCALE 1:50)



VIEW LOOKING SOUTH
(SCALE 1:50)

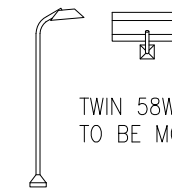


ISOMETRIC VIEW LOOKING NORTH WEST

NOTES:

1. ALL DIMENSIONS ARE IN mm UNLESS NOTED OTHERWISE.
2. DRAWINGS ARE FOR CONCEPT/PLANNING PURPOSES ONLY.

KEY:



TWIN 58W FLUORESCENT LIGHT FITTINGS SUITABLE FOR ZONE 2.
TO BE MOUNTED ON A 2.2m POLE.



Drn.	07/01/10	B.SYKORA	MOORLAND ENERGY LTD. RYEDALE GAS PROJECT CONCEPT/PLANNING REGEN GAS SEPARATOR GA		2
Chkd.	19/01/10	N.REID			
Appr.	19/01/10	M.SPREADBURY			
Client Appr.					
			Drg. No. 18761923		Sheet 1 of 1
Land & Marine Project Engineering Ltd.			Scale 1:50 @ Size A1		Rev. 2
CAD Reference 18761923					

REV.	DATE	DRN.	CHKD.	APPR.	CLIENT APPR.	DESCRIPTION
2	12/02/10	B.S.	N.R.	M.S.		REVISED FOR PLANNING APPLICATION
1	19/01/10	L.A.R.	N.R.	M.S.		ISSUED FOR CONCEPT DESIGN
0	07/01/10	B.S.	N.R.			ISSUED FOR IDC