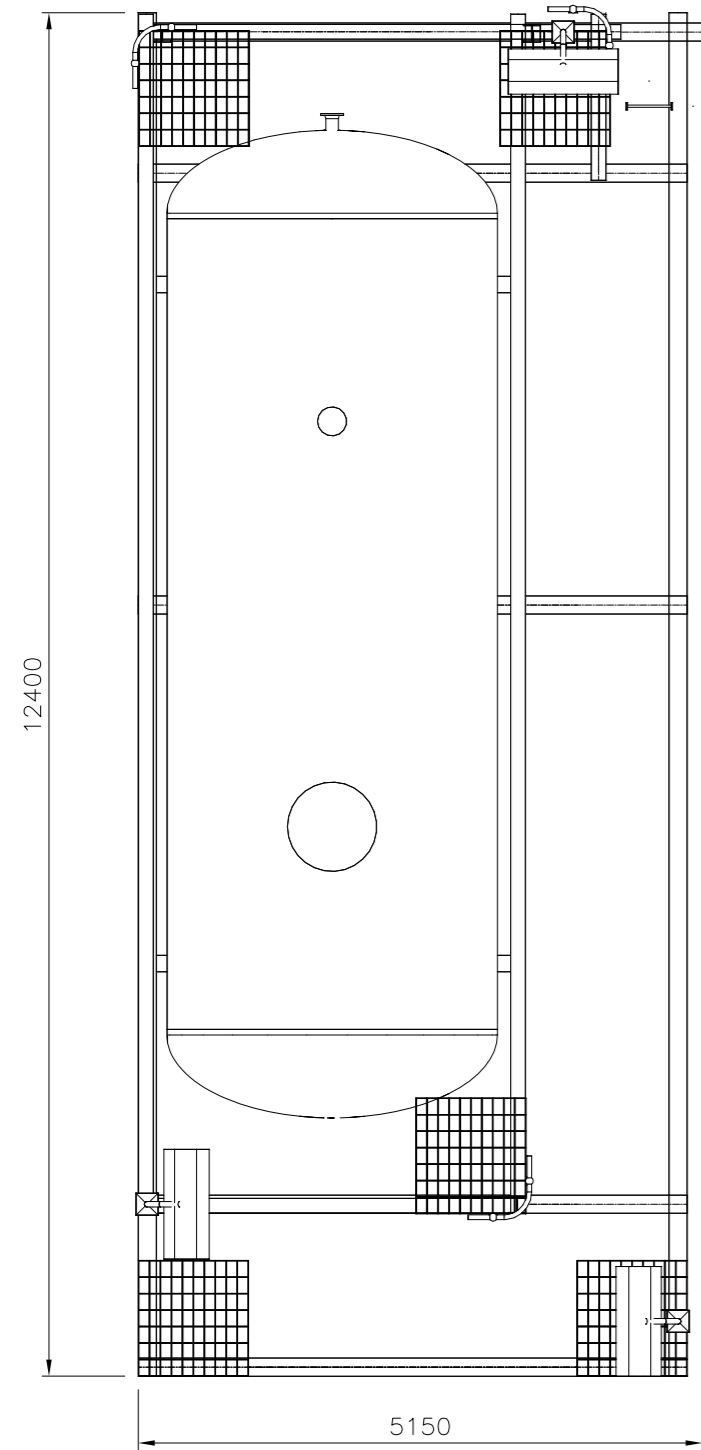
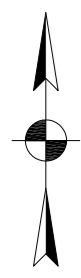
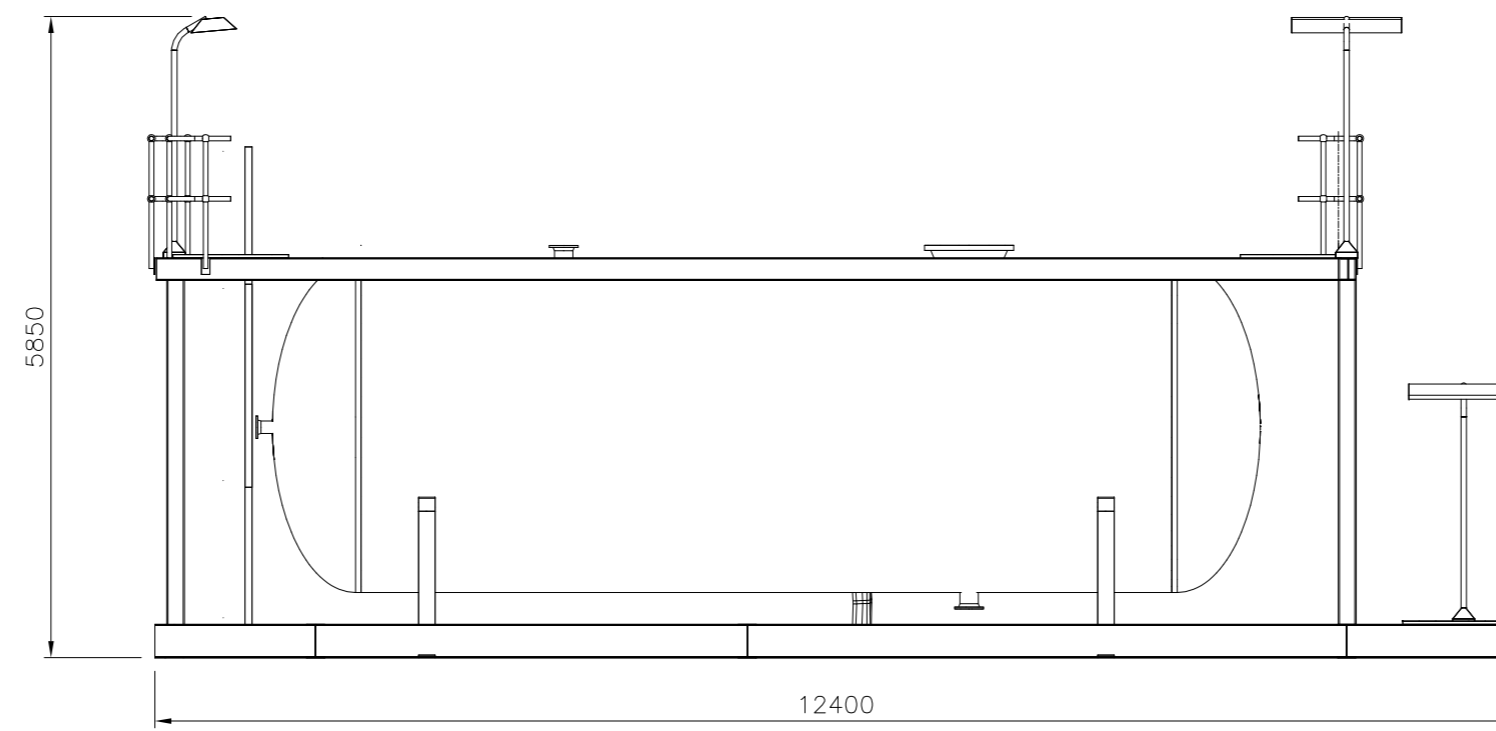


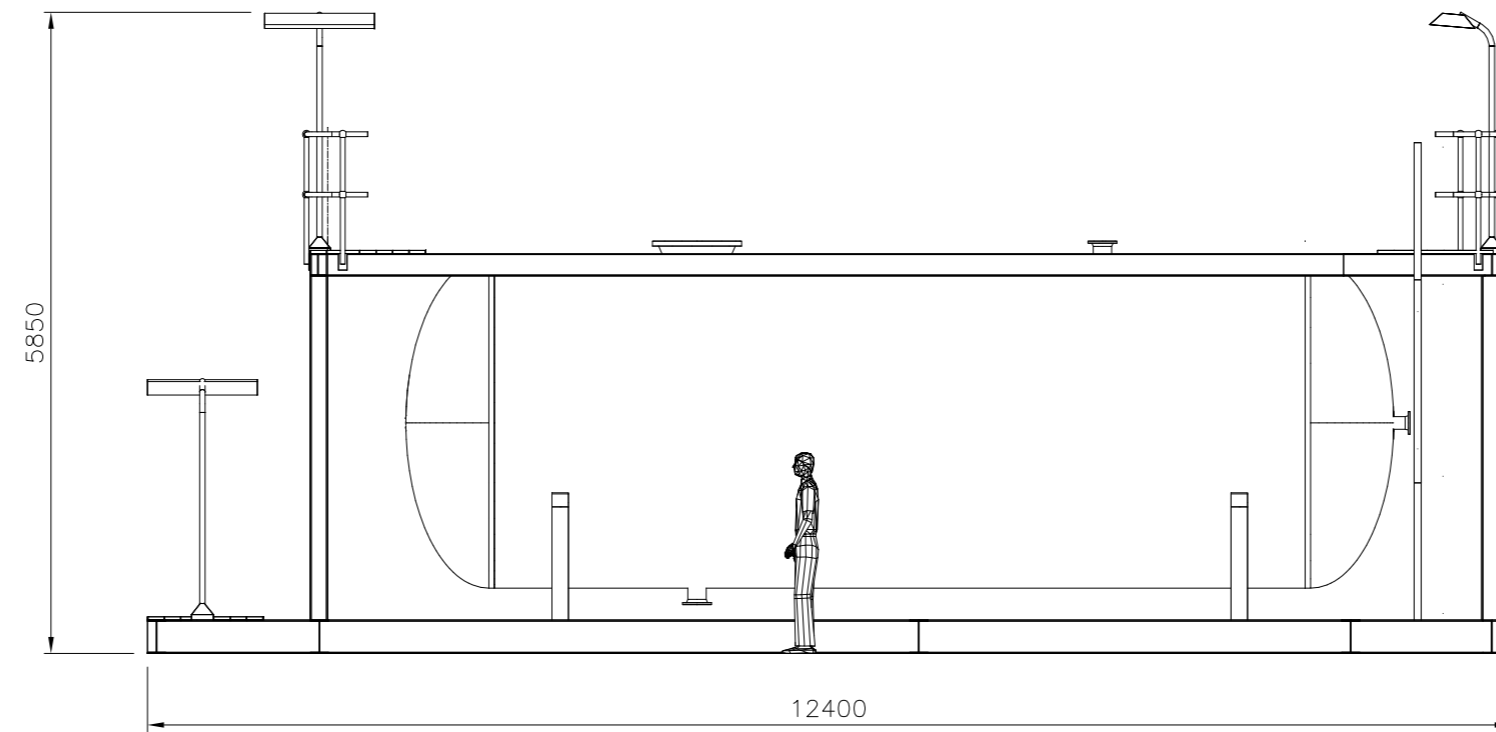
PLANT NORTH



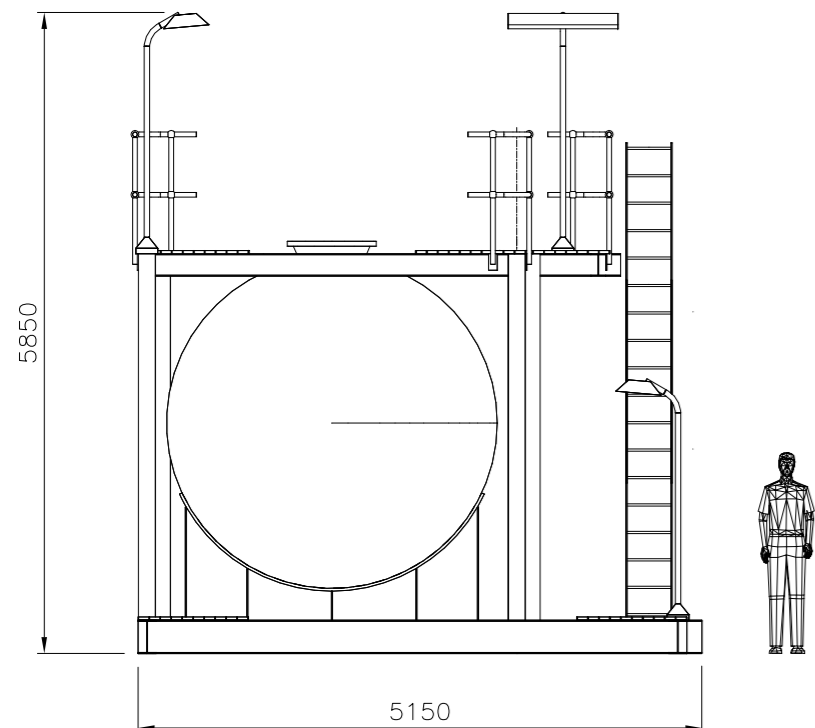
PLAN VIEW
(SCALE 1:50)



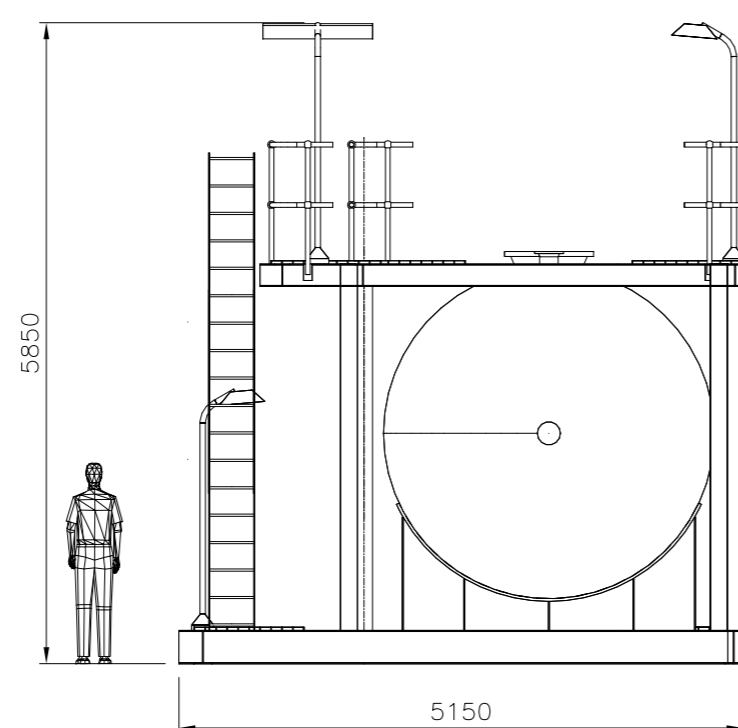
VIEW LOOKING EAST
(SCALE 1:50)



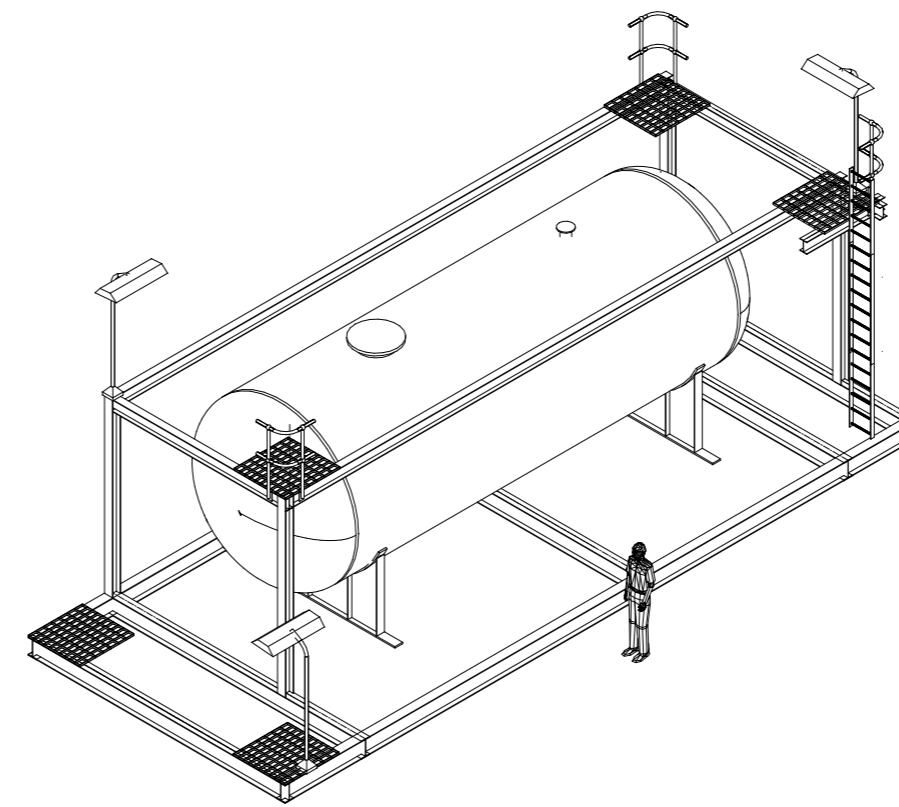
VIEW LOOKING WEST
(SCALE 1:50)



VIEW LOOKING NORTH
(SCALE 1:50)



VIEW LOOKING SOUTH
(SCALE 1:50)



ISOMETRIC VIEW LOOKING NORTH WEST

NOTES:

1. ALL DIMENSIONS ARE IN mm UNLESS NOTED OTHERWISE.
2. DRAWINGS ARE FOR CONCEPT/PLANNING PUPOSES ONLY.
3. PIPING, VALVES, ETC ARE NOT SHOWN FOR CLARITY.

KEY:



TWIN 58W FLUORESCENT LIGHT FITTINGS SUITABLE FOR ZONE 2.
TO BE MOUNTED ON A 2.2m POLE.



Drn.	07/01/10	B.SYKORA		MOORLAND ENERGY LTD. RYEDALE GAS PROJECT CONCEPT/PLANNING 3 PHASE SEPARATOR GA	2
Chkd.	19/01/10	N.REID			
Appr.	19/01/10	M.SPREADBURY			
Client Appr.					
				Drg. No.	18761927
Land & Marine Project Engineering Ltd.				Scale	1:50 © Size A1
CAD Reference 18761927				Rev.	2

REV.	DATE	DRN.	CHKD.	APPR.	CLIENT APPR.	DESCRIPTION
2	12/02/10	B.S.	N.R.	M.S.		REVISED FOR PLANNING APPLICATION
1	19/01/10	L.A.R.	N.R.	M.S.		ISSUED FOR CONCEPT DESIGN
0	07/01/10	B.S.	N.R.			ISSUED FOR IDC