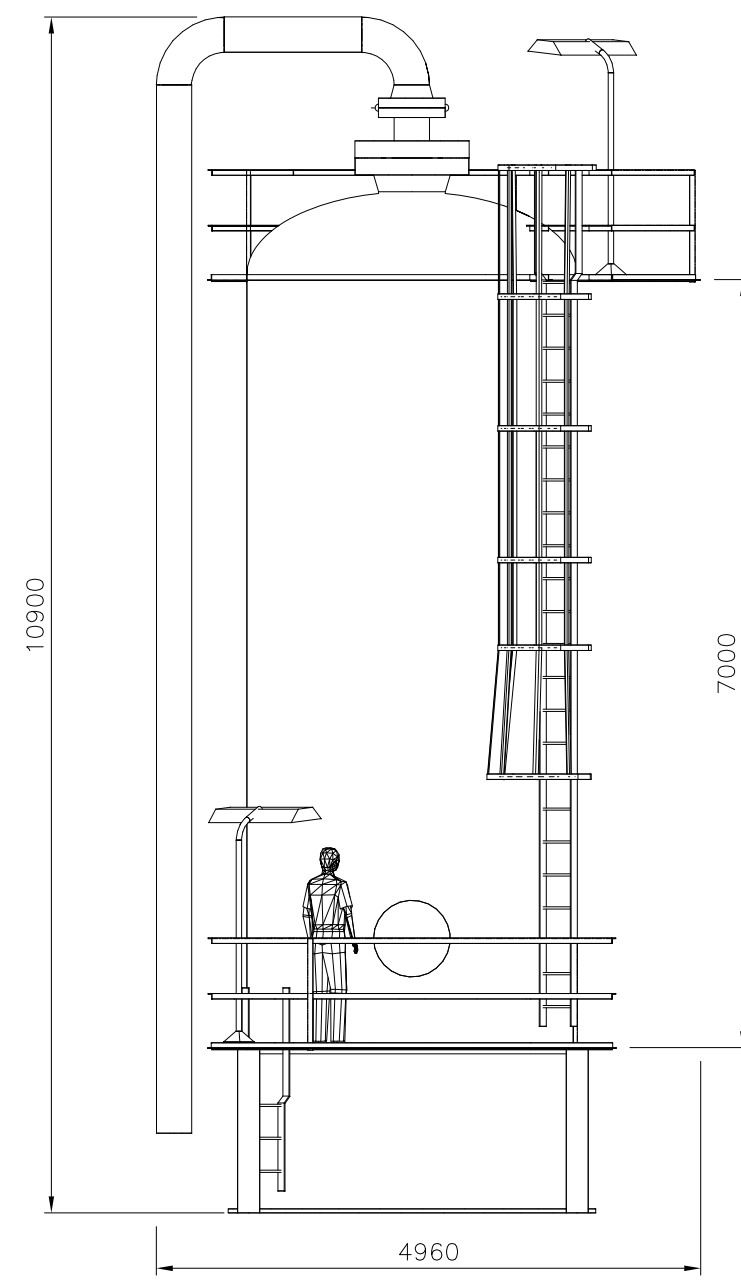
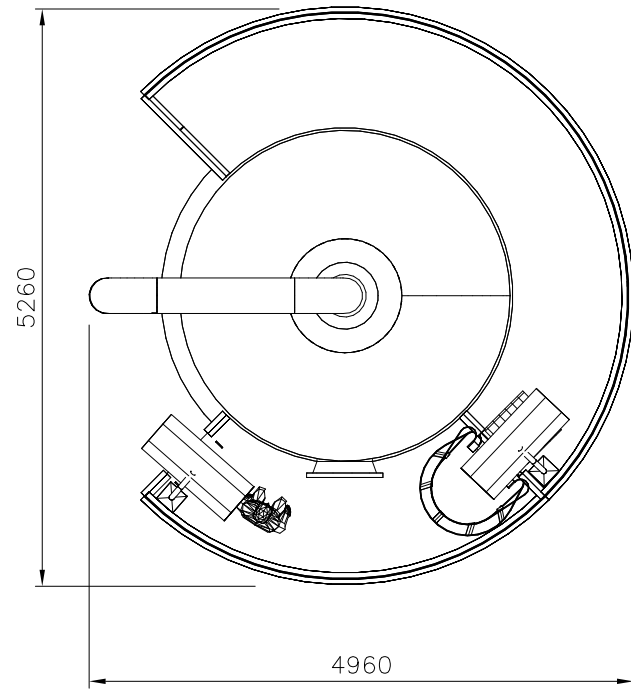
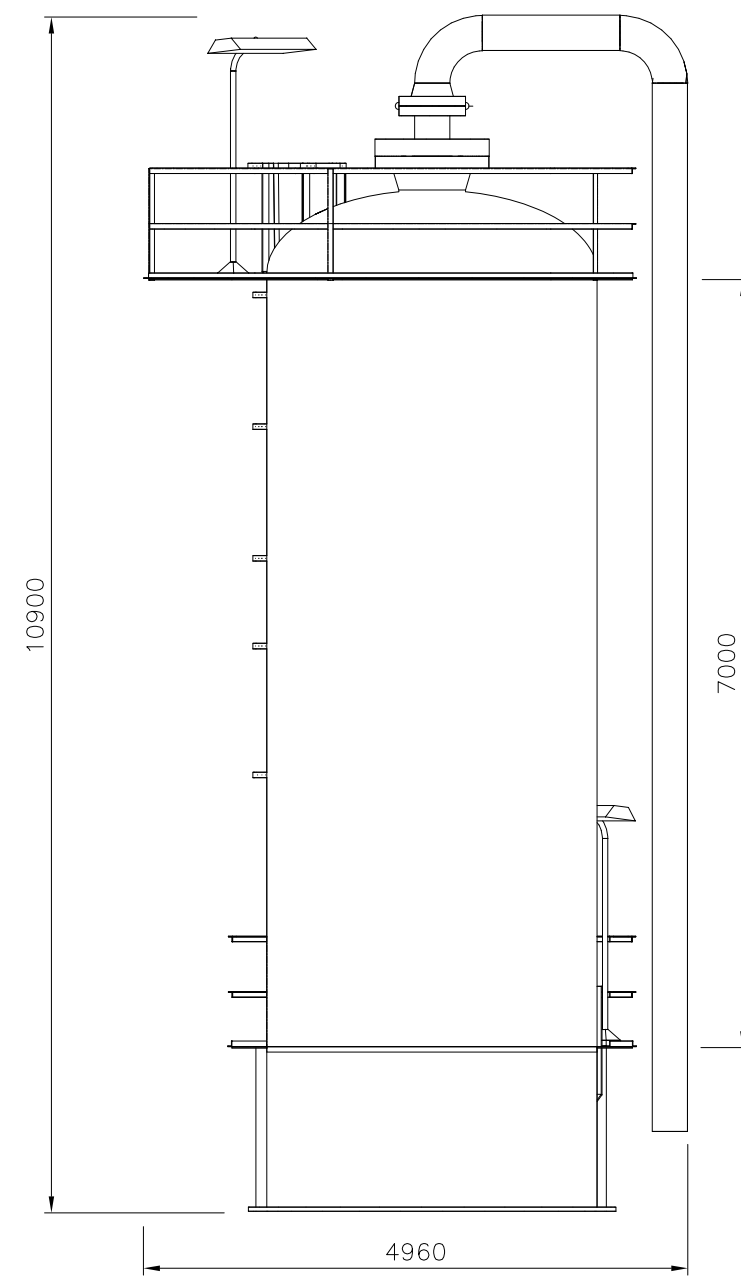


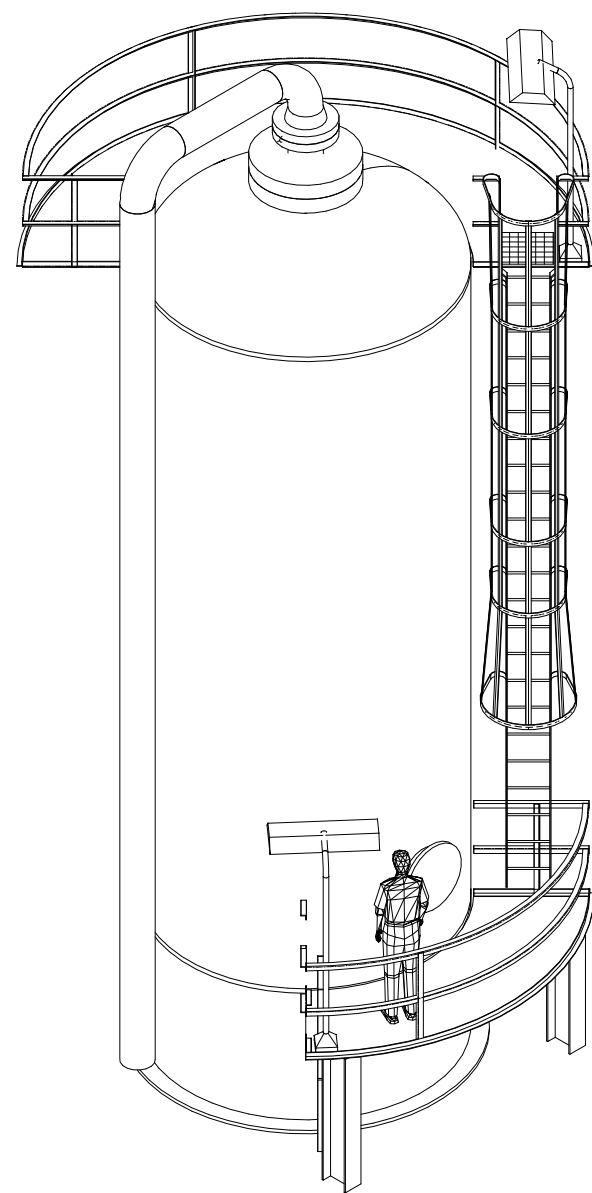
PLANT NORTH



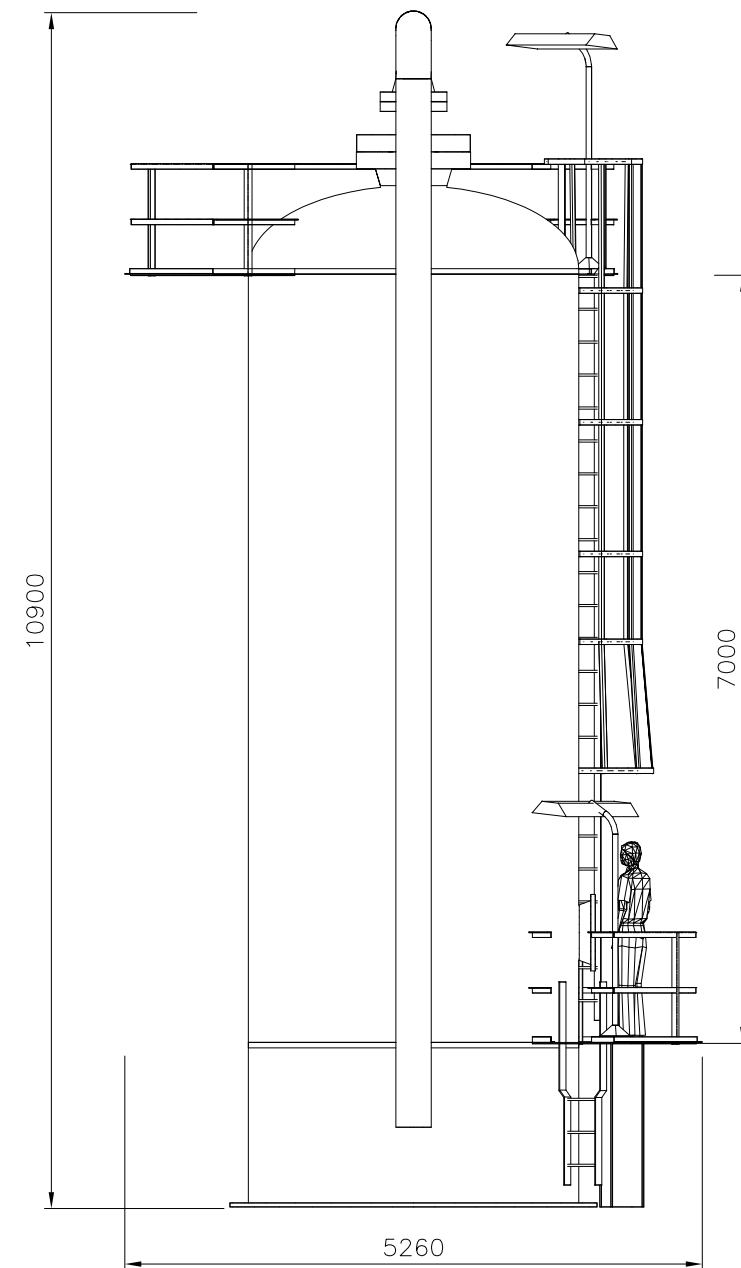
VIEW LOOKING NORTH  
(SCALE 1:50)



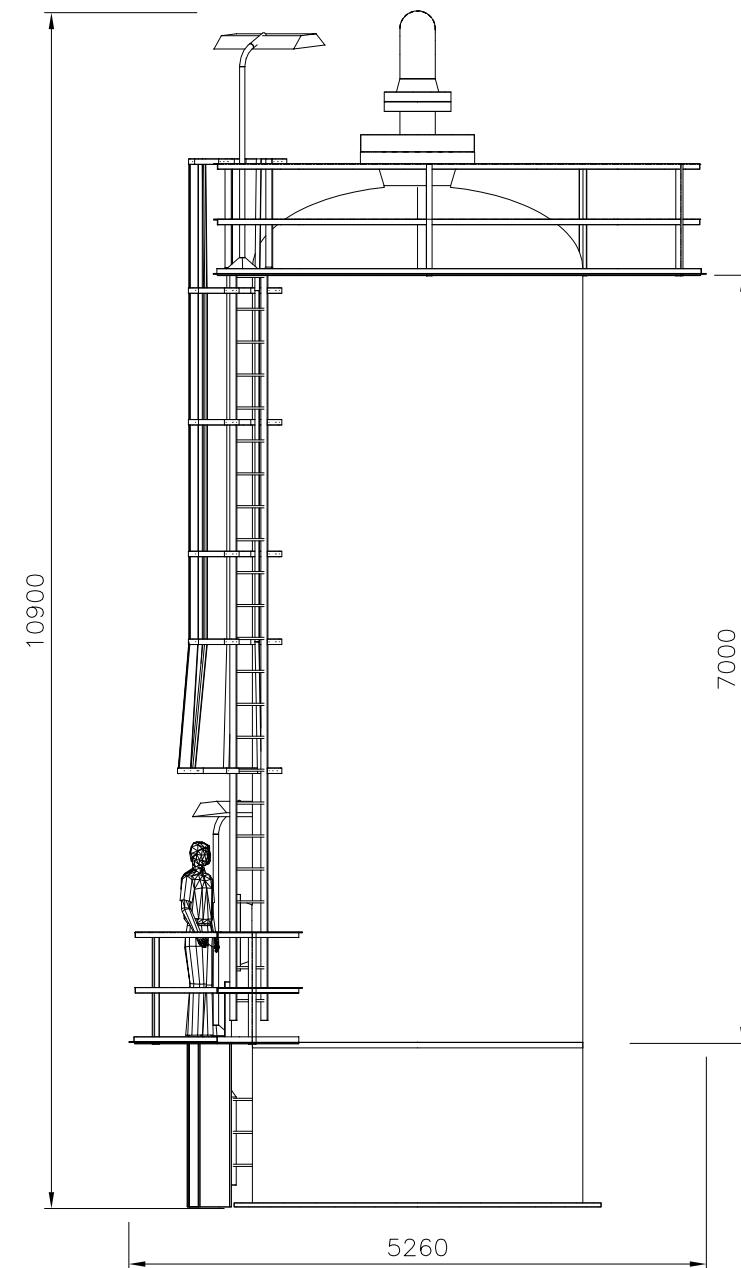
TO BE MOUNTED ON A 2.2m POLE. S SUITABLE FOR ZONE 2.



ISOMETRIC VIEW LOOKING NORTH EAST



VIEW LOOKING EAST



Drn.	07/01/10	B.SYKORA		MOORLAND ENERGY LTD. RYEDALE GAS PROJECT CONCEPT/PLANNING REGENERATOR VESSEL GA	2
Chkd.	19/01/10	N.REID			
Appr.	19/01/10	M.SPREADBURY			
Client Appr.					
			Drg. No.	18761932	Sheet 1 of 1
Land & Marine Project Engineering Ltd.			Scale	1:50	Rev. 2
CAD Reference 18761932					

REV.	DATE	DRN.	CHKD.	APPR.	CLIENT APPR.	DESCRIPTION
2	12/02/10	B.S.	N.R.	M.S.		REVISED FOR PLANNING APPLICATION
1	19/01/10	L.A.R.	N.R.	M.S.		ISSUED FOR CONCEPT DESIGN
0	07/01/10	B.S.	N.R.			ISSUED FOR IDC