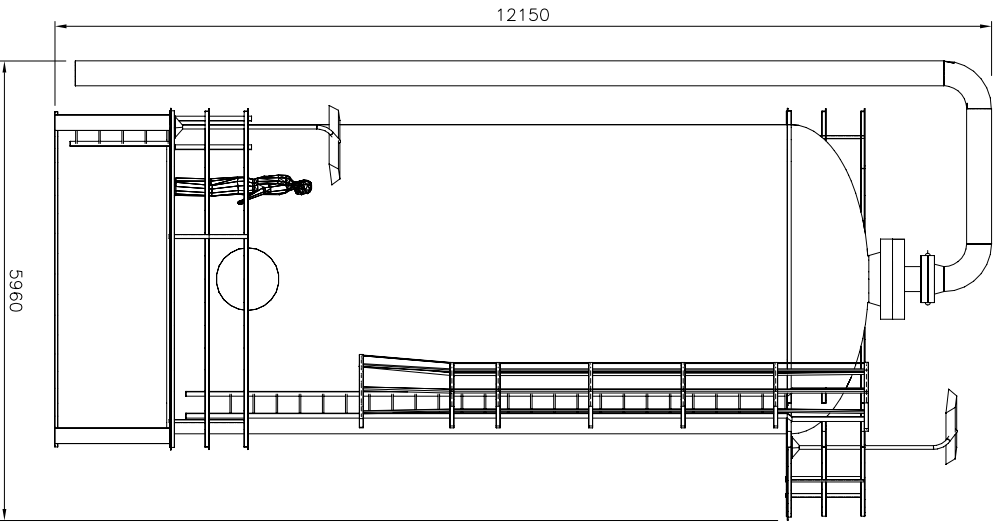
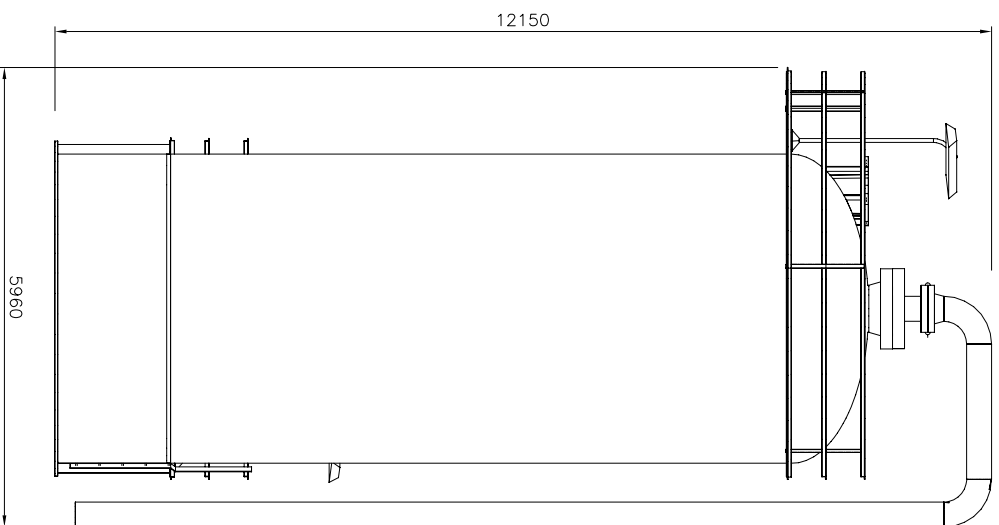


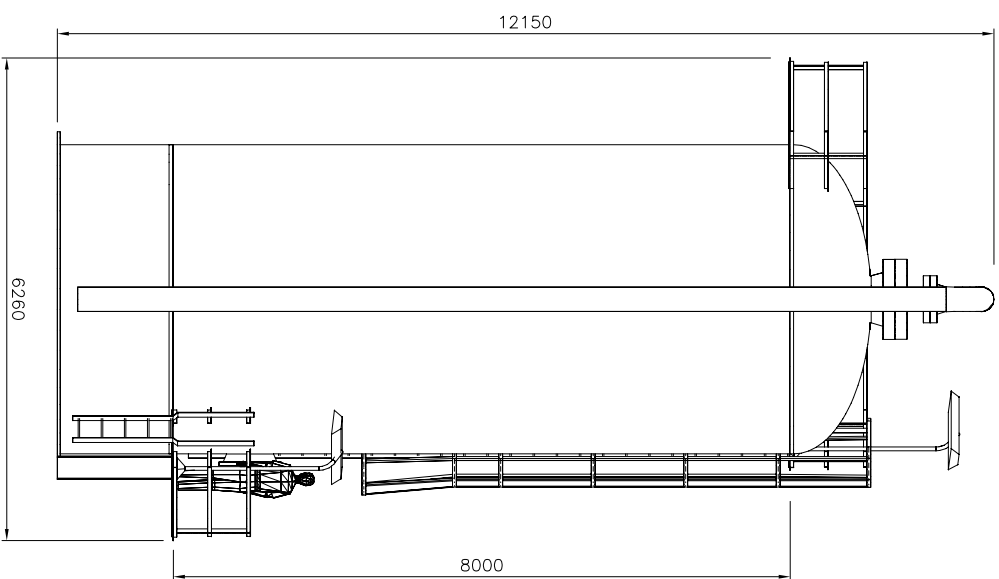
PLAN VIEW
(SCALE 1:50)



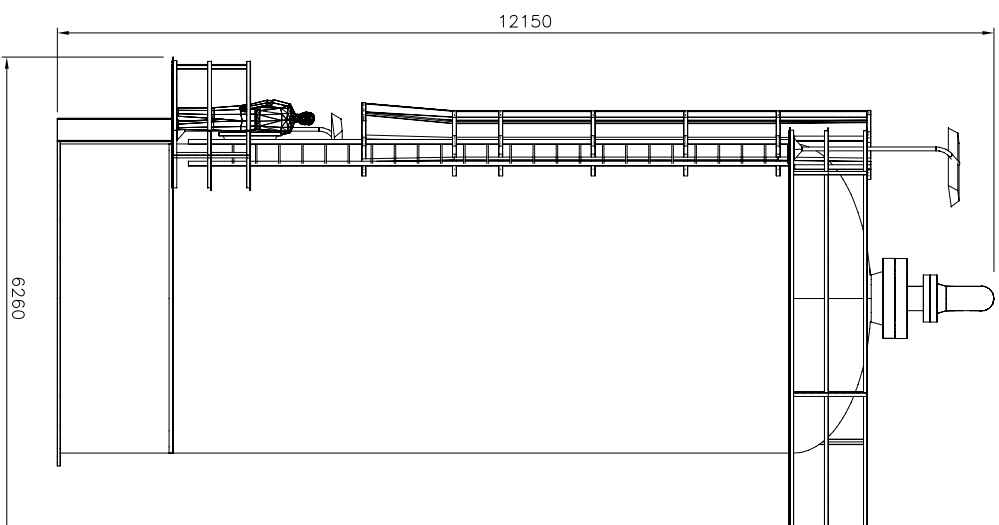
VIEW LOOKING NORTH
(SCALE 1:50)



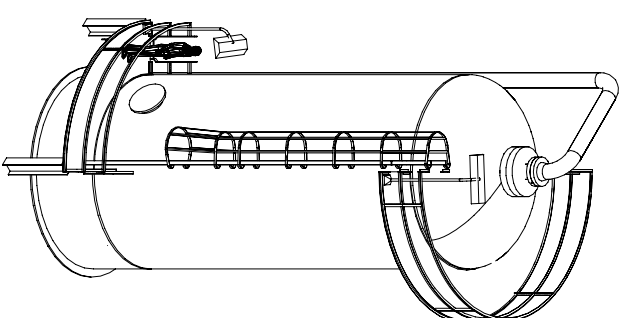
VIEW LOOKING SOUTH
(SCALE 1:50)



VIEW LOOKING EAST
(SCALE 1:50)



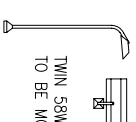
VIEW LOOKING WEST
(SCALE 1:50)



ISOMETRIC VIEW
LOOKING NORTH WEST

- NOTES:
1. ALL DIMENSIONS ARE IN mm UNLESS NOTED OTHERWISE.
 2. DRAWINGS ARE FOR CONCEPT/PLANNING PURPOSES ONLY.

KEY:



TWIN 58W FLUORESCENT LIGHT FITTINGS SUITABLE FOR ZONE 2. TO BE MOUNTED ON A 2.2m POLE.

REV	DATE	DRN.	CHKD.	APPR.	CLIENT APPR.	DESCRIPTION
2	12/02/10	B.S.	N.R.	M.S.		REVISED FOR PLANNING APPLICATION
1	19/01/10	L.A.R.	N.R.	M.S.		ISSUED FOR CONCEPT DESIGN
0	07/01/10	B.S.	N.R.			ISSUED FOR IDC

Date	Signature	Title
07/01/10	B.SYKORA	
19/01/10	N.REID	
19/01/10	M.SPENCER	

MOORLAND ENERGY LTD.
RYEDALE GAS PROJECT
CONCEPT/PLANNING
SURGE VESSEL GA

Protecth
Land & Marine Project Engineering Ltd.
Dwg. No. 18761935

CAD Reference 18761935

Scale 1:50 @ Size A1



Sheet	1 of 1
Rev.	2