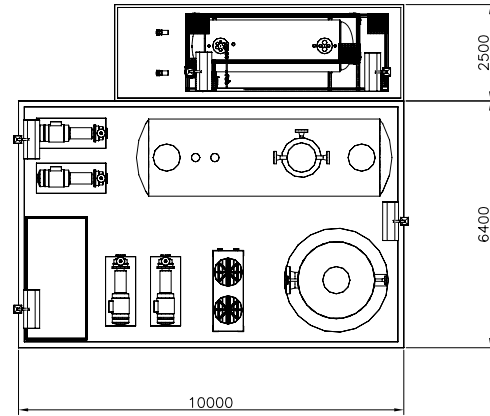
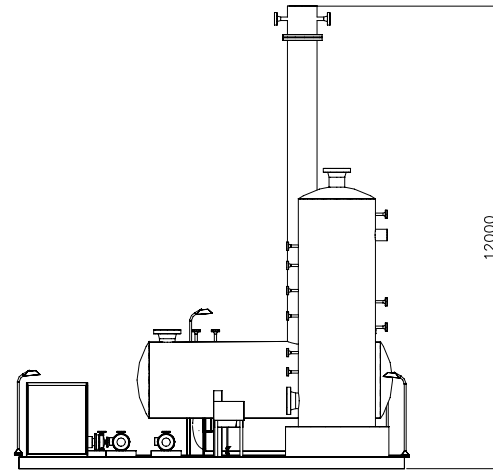


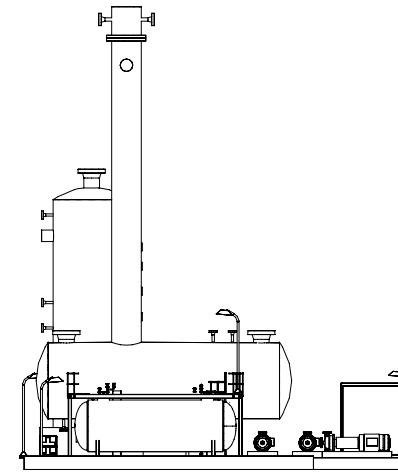
PLANT NORTH



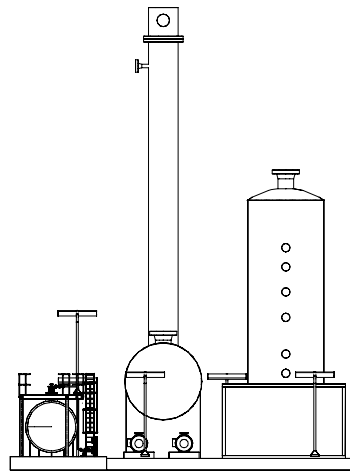
PLAN VIEW
(SCALE 1:100)



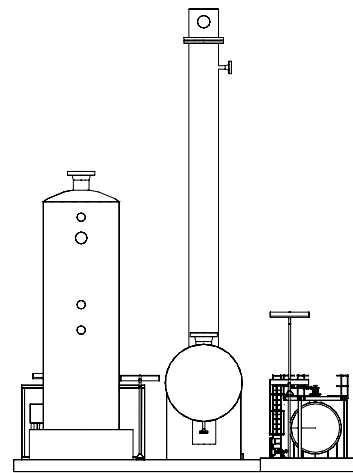
VIEW LOOKING NORTH
(SCALE 1:100)



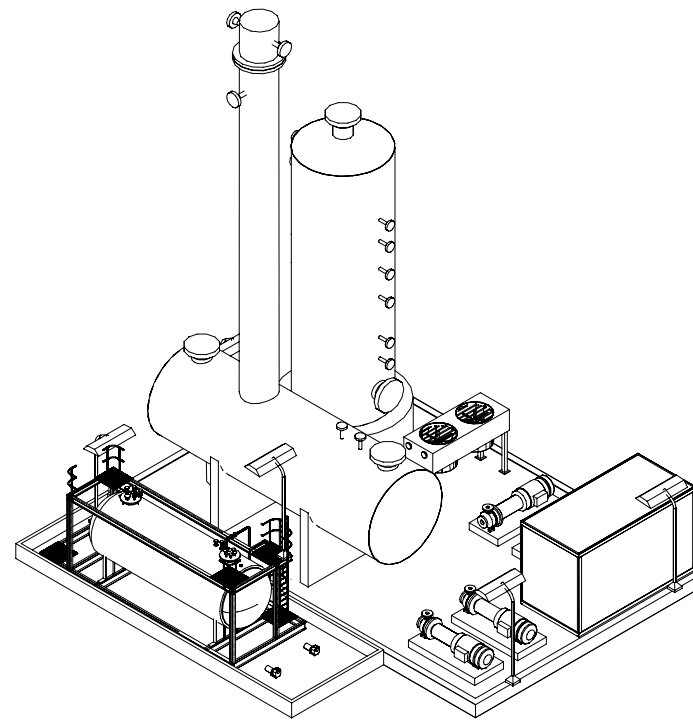
VIEW LOOKING SOUTH
(SCALE 1:100)



VIEW LOOKING EAST
(SCALE 1:100)



VIEW LOOKING WEST
(SCALE 1:100)



ISOMETRIC VIEW LOOKING NORTH-WEST

NOTES:

1. ALL DIMENSIONS ARE IN mm UNLESS NOTED OTHERWISE.
2. DRAWINGS ARE FOR CONCEPT/PLANNING PURPOSES ONLY.
3. PIPING, VALVES, ETC ARE NOT SHOWN FOR CLARITY.

KEY:

- TWIN 58W FLUORESCENT LIGHT FITTINGS SUITABLE FOR ZONE 2. TO BE MOUNTED ON SIDES OF BUILDINGS.
- TWIN 58W FLUORESCENT LIGHT FITTINGS SUITABLE FOR ZONE 2. TO BE MOUNTED ON A 2.2m POLE.



Drn.	15/01/10	LAXTEN-RICE	MOORLAND ENERGY LTD. RYEDALE GAS PROJECT CONCEPT/PLANNING HYDRATE INHIBITOR AND RECOVERY PACKAGE GA	2
Chkd.	19/01/10	N. REID		1
Appr.	19/01/10	M.SPREADBURY		1
Client Appr.				1
Protech Land & Marine Project Engineering Ltd.			Drg. No. 18761942	Sheet 1 of 1 Rev. 2
CAD Reference 18761942 REV.2			Scale 1:100 @ Size A1	

REV.	DATE	DRN.	CHKD.	APPR.	CLIENT APPR.	DESCRIPTION
2	12/02/10	L.A.R.	N.R.	M.S.		REVISED FOR PLANNING APPLICATION
1	19/01/10	L.A.R.	N.R.	M.S.		ISSUED FOR CONCEPT DESIGN
0	15/01/10	L.A.R.	N.R.			ISSUED FOR IDC