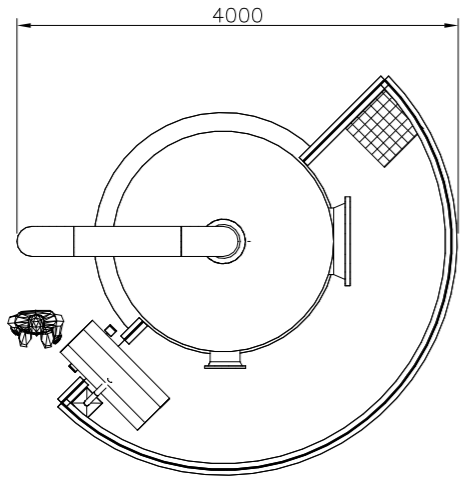
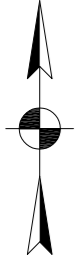
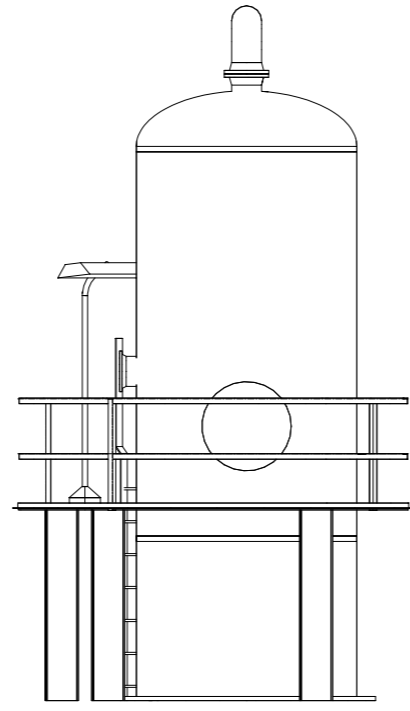


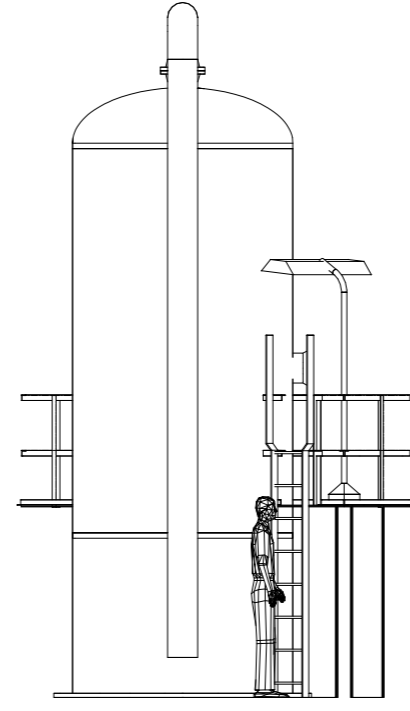
PLANT NORTH



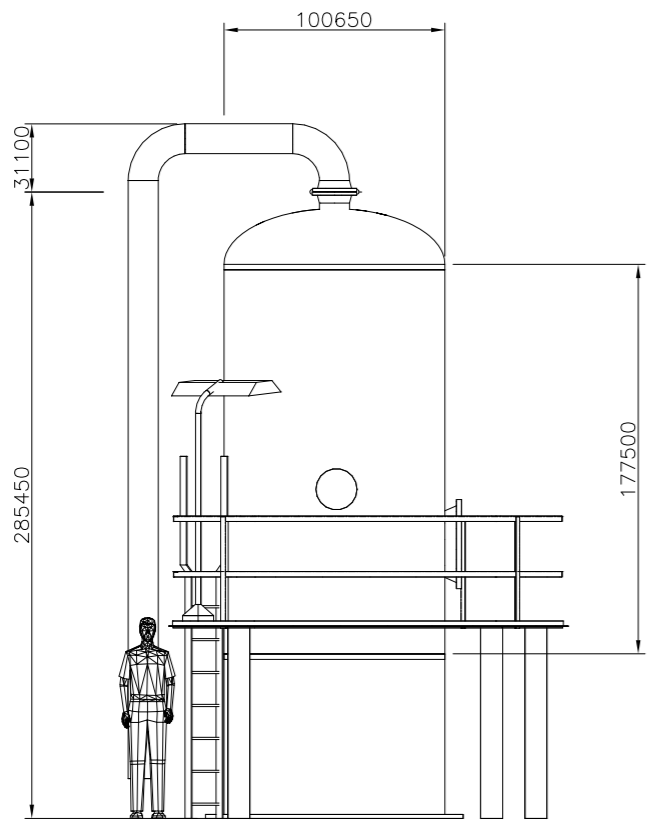
PLAN VIEW
(SCALE 1:50)



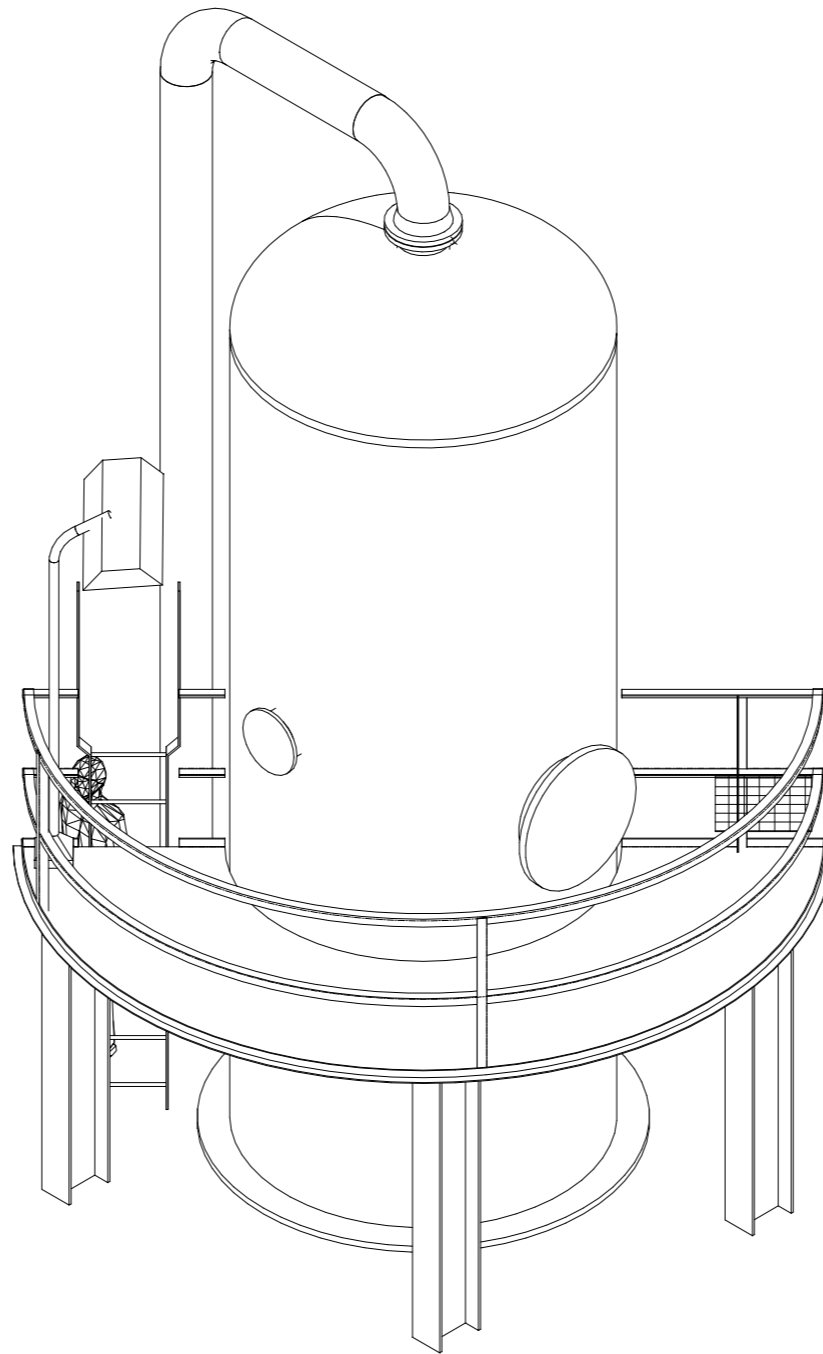
ELEVATION LOOKING EAST
(SCALE 1:50)



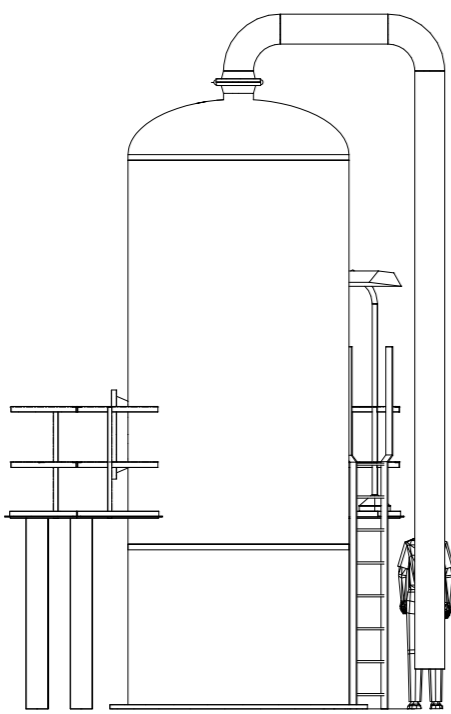
ELEVATION LOOKING WEST
(SCALE 1:50)



ELEVATION LOOKING NORTH
(SCALE 1:50)



ISOMETRIC VIEW LOOKING NORTH-WEST

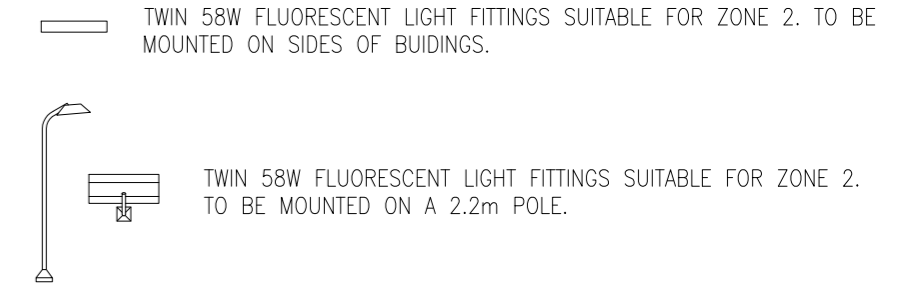


ELEVATION LOOKING SOUTH
(SCALE 1:50)

NOTES:

- 1. ALL DIMENSIONS ARE IN mm UNLESS NOTED OTHERWISE.
- 2. DRAWINGS ARE FOR CONCEPT/PLANNING PURPOSES ONLY.

KEY:



Drn.	09/02/10	LAXTEN-RICE				MOORLAND ENERGY LTD RYEDALE GAS PROJECT CONCEPT/PLANNING SEPARATOR COALESCER GA	1
Chkd.							Sheet 1 of 1
Appr.							Rev. 1
Client Appr.							
Protech Land & Marine Project Engineering Ltd.						Drg. No. 18761946	
CAD Reference 187619046						Scale 1:50 © Size A1	

REV.	DATE	DRN.	CHKD.	APPR.	CLIENT APPR.	DESCRIPTION
1	12/02/10	B.S.	N.R.	M.S.		ISSUED FOR PLANNING APPLICATION
0	09/02/10	L.A.R.	N.R.			ISSUED FOR IDC