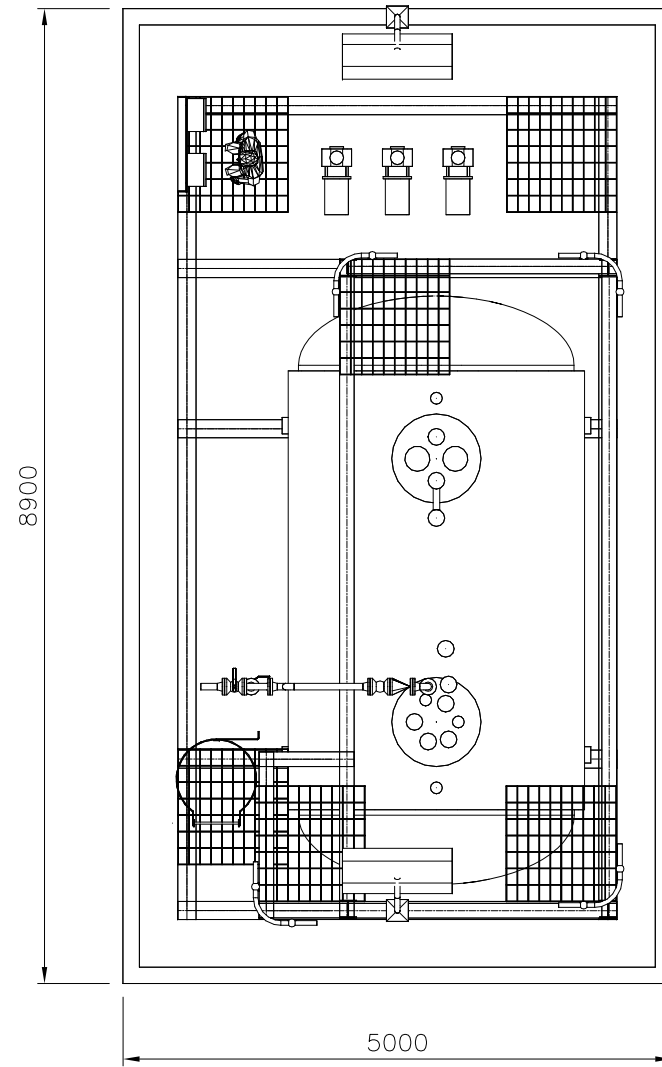
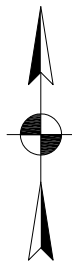
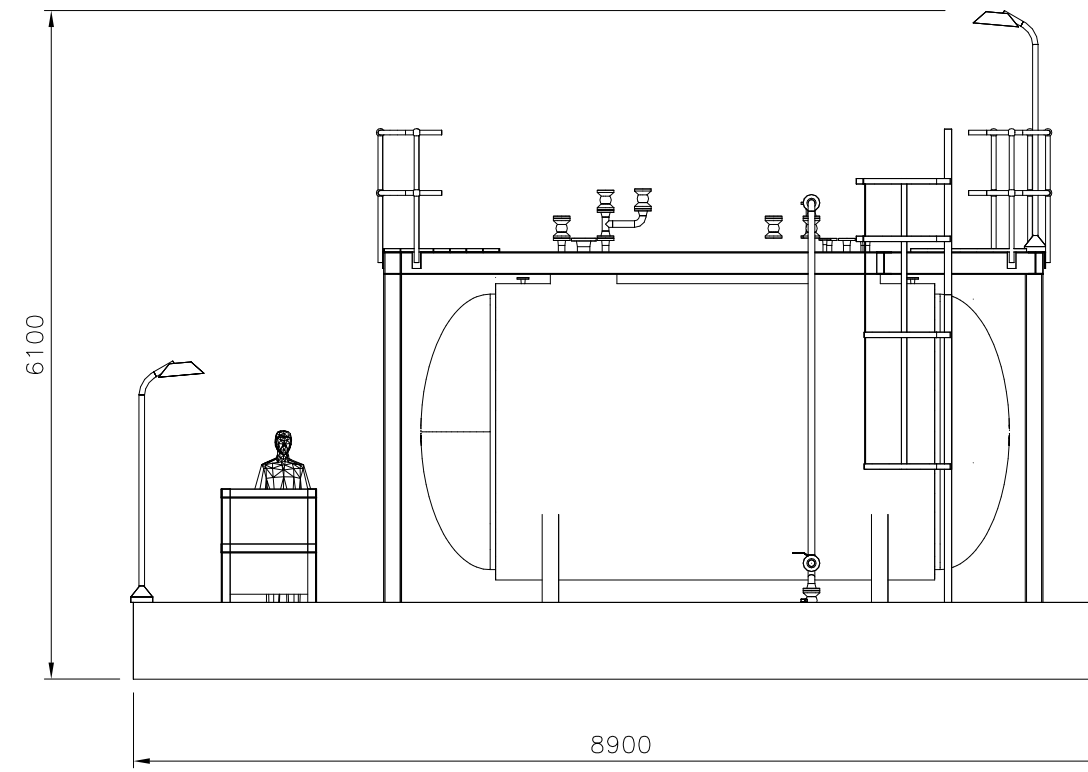


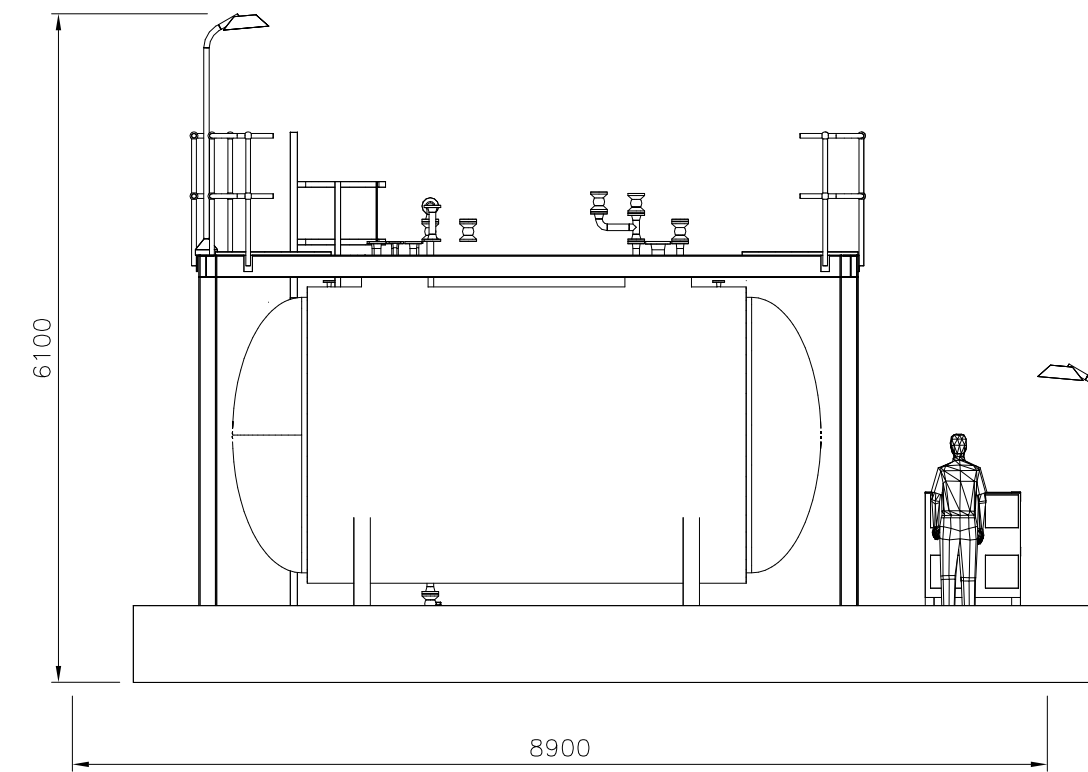
PLANT NORTH



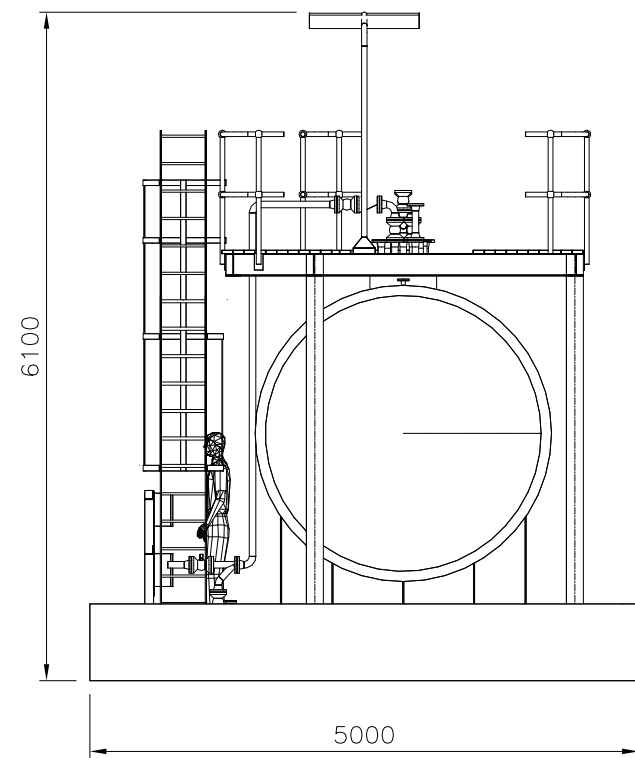
PLAN VIEW
(SCALE 1:50)



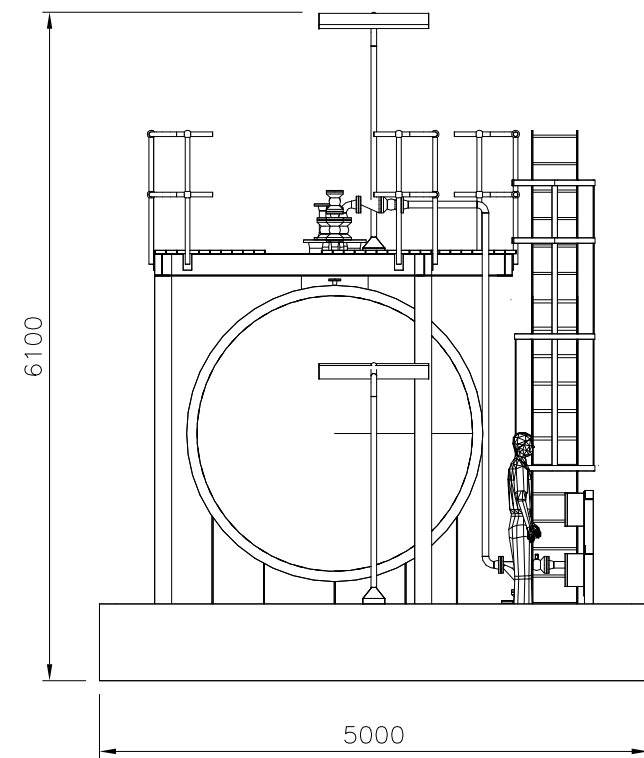
VIEW LOOKING EAST
(SCALE 1:50)



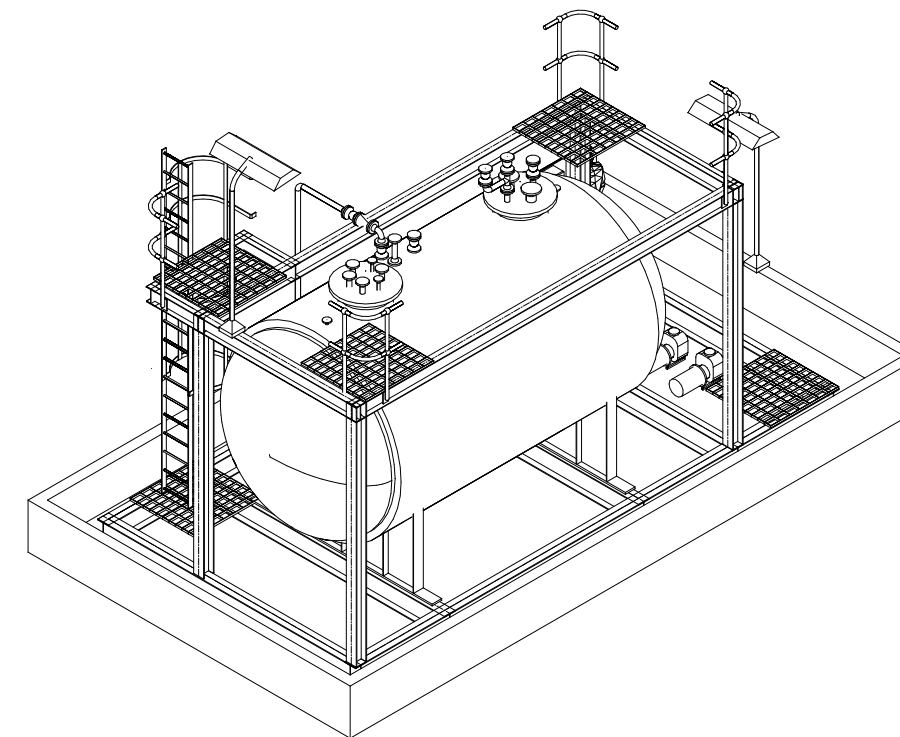
VIEW LOOKING WEST
(SCALE 1:50)



VIEW LOOKING NORTH
(SCALE 1:50)



VIEW LOOKING SOUTH
(SCALE 1:50)

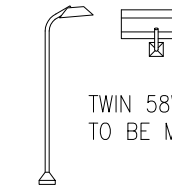


ISOMETRIC VIEW LOOKING NORTH WEST

NOTES:

1. ALL DIMENSIONS ARE IN mm UNLESS NOTED OTHERWISE.
2. DRAWINGS ARE FOR CONCEPT/PLANNING PUPOSES ONLY.
3. PIPING, VALVES, ETC ARE NOT SHOWN FOR CLARITY.

KEY:



TWIN 58W FLUORESCENT LIGHT FITTINGS SUITABLE FOR ZONE 2.
TO BE MOUNTED ON A 2.2m POLE.



Drn.	12/02/10	B.S.YKORA		MOORLAND ENERGY LTD. RYEDALE GAS PROJECT CONCEPT/PLANNING CORROSION INHIBITOR INJECTION PACKAGE	1
Chkd.					
Appr.					
Client Appr.					
				Drg. No.	18761949
Land & Marine Project Engineering Ltd.				Scale	1:50 © Size A1
CAD Reference 18761949				Sheet	1 of 1
				Rev.	1

REV.	DATE	DRN.	CHKD.	APPR.	CLIENT APPR.	DESCRIPTION
1	12/02/10	B.S.	N.R.	M.S.		ISSUED FOR PLANNING APPLICATION
0	12/02/10	B.S.	N.R.			ISSUED FOR IDC