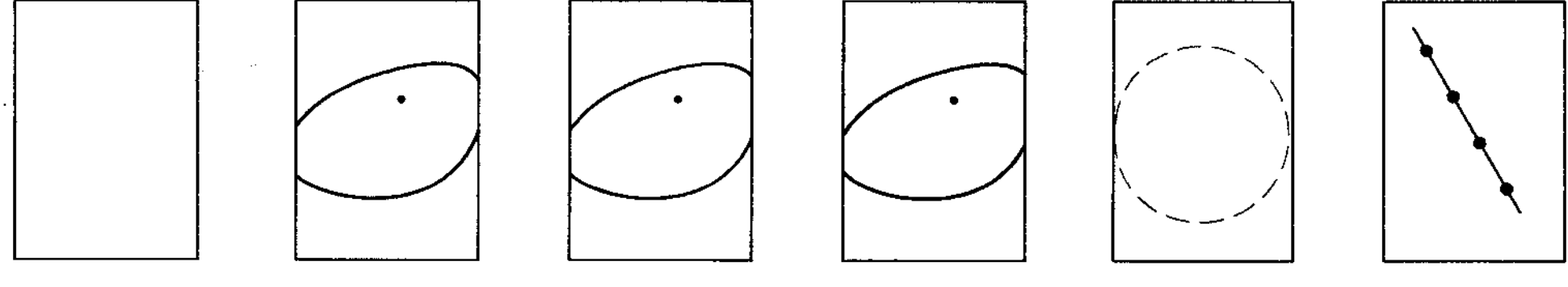


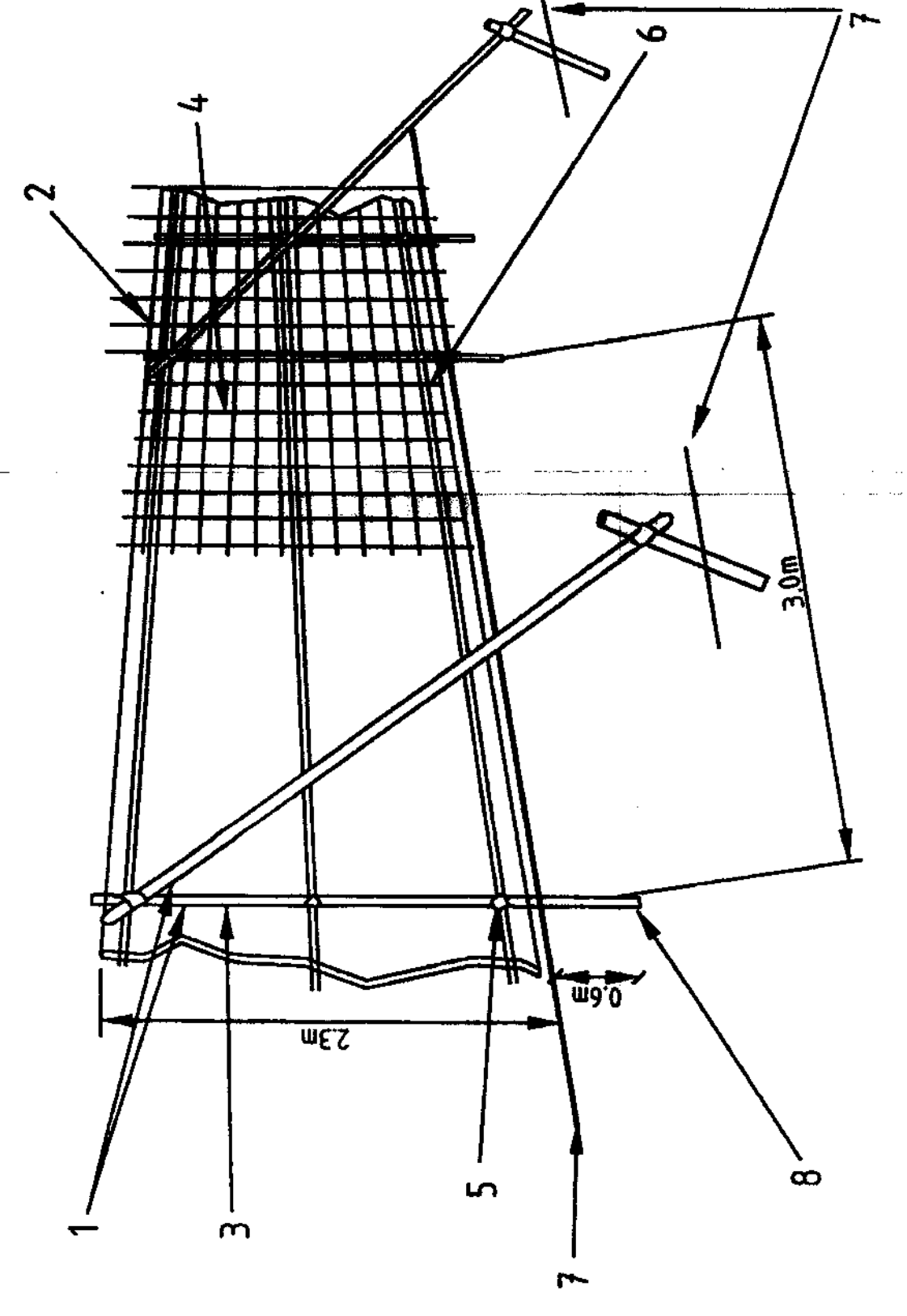
KEY



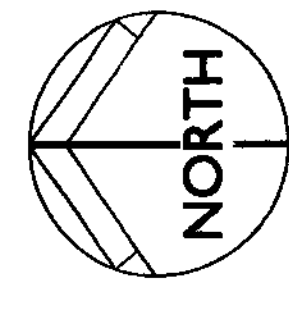
Tree Survey to BS 5837:2005.
Trees in relation to construction -
Recommendations



TREE PROTECTION FENCE DETAIL



- 1 Standard scaffold poles
- 2 Uprights to be driven into the ground
- 3 Panels secured to uprights with wire ties and where necessary guy struts
- 4 Wedges used to tie uprights and horizontals
- 5 Standard clamps
- 6 Wire twisted and secured on inside face of fencing to avoid any snagging
- 7 Ground level
- 8 Approx. 40 mm driven into the ground



SMEDDEN FOREMAN

| | |
|---|-------------|
| Project | |
| Title | |
| Scale | Drawn by |
| Date | Checked |
| Project No. | Drawing No. |
| Landscape Architects: Urban Designers Ecologists - Horticulturists | |

NYM/PA
27 OCT 2008